

HM-TR16-50XG/CW-TQ50C Thermal Scope



HIKMICRO HM-TR16-50XG/CW-TQ50C Thermal Scope has 640 × 512 thermal detector and 1024 × 768 OLED monitor, which provides clear image under harsh environment conditions like darkness, fog, smoke, dust, rain, snow, wood, camouflage, etc. The scope is mainly applied to scenarios such as patrolling, and hunting, etc.

Key Features

- 640 × 512 thermal resolution, high sensitivity detector, NETD < 35 mK (25°C, F# = 1.0)
- Image processing technology: Adaptive AGC, DDE, 3D DNR
- 1024 × 768 resolution 0.39-inch OLED display
- Supports distance measurement, and hotspot function
- Supports video recording and snapshot, built-in EMMC (16 GB)
- Supports digital zoom and cursor function, palettes of color adjustable
- Observation distance up to 2600 m

Specification

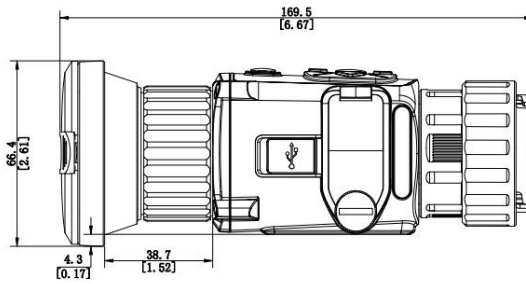
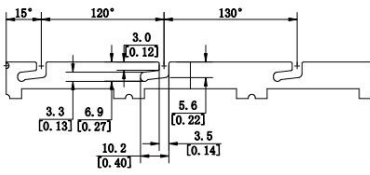
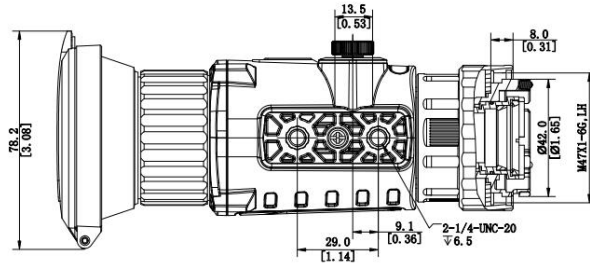
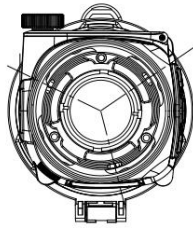
Thermal Module	
Image Sensor	Uncooled Focal Plane Arrays
Pixel Interval	12 μm
Max. Resolution	640 \times 512
Response Waveband	8 μm to 14 μm
NETD	<35 mK (25°C, F# = 1.0)
Lens (Focal Length)	50 mm
Detection Range	2600 m
IFOV	0.24 mrad
Field of View	8.78° \times 7.03°
Min. Focusing Distance	5 m
Aperture	F1.0
Frame Rate	50 Hz
Magnification	1x
Image Display	
Display	1024 \times 768, 0.39 inch, OLED
Palettes	Black hot, white hot, red hot, fusion
Exit Pupil	22 mm
Eye Relief	10 mm
System	
Digital Zoom	1x, 2x, 4x, 8x
Reticle	No
Hotspot	Yes
Distance Measurement	Yes
Record Video	On-board video recording
Standby mode	Yes
Capture Snapshot	Yes
Hot Track	Yes
DPC	Yes
PIP	Yes
Uniformity Correction	Auto, Manual, External Correction
Storage	Built-in EMMC (16 GB)
Power Supply	
Battery	Replaceable Applicable type: CR123A, RCR123A
Battery Operating Time	3.75 h (25°C, with hotspot off)
Anti-reverse battery connection	Yes
Overvoltage Protection	Yes
Battery Capacity Display	Yes

Type-C Power Supply	5 VDC, 2 A Supports external power supply
General	
Port	Type-C
Working Temperature	-20°C to 55°C (-4°F to 131°F)
Protection Level	IP67
Vibration & Shock	750 g/1 ms
Dimension (L × W × H)	169.5 mm × 78.2 mm × 66.4 mm
Weight	495 g without eyepiece and batteries

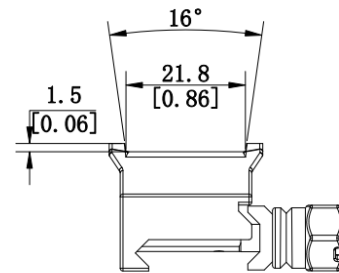
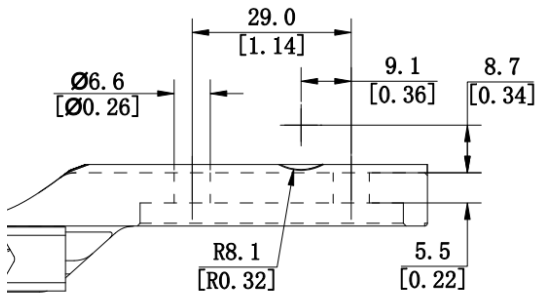
Available Model

HM-TR16-50XG/CW-TQ50C

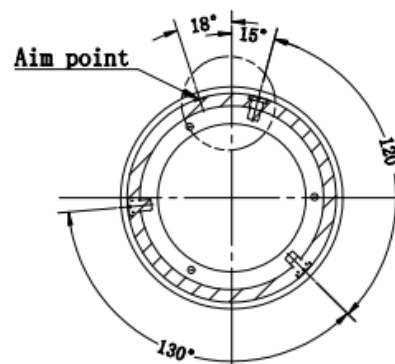
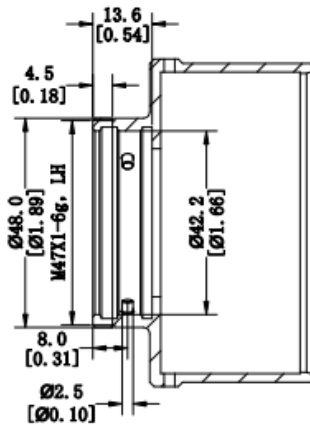
Dimension



Unit:mm[Inch]

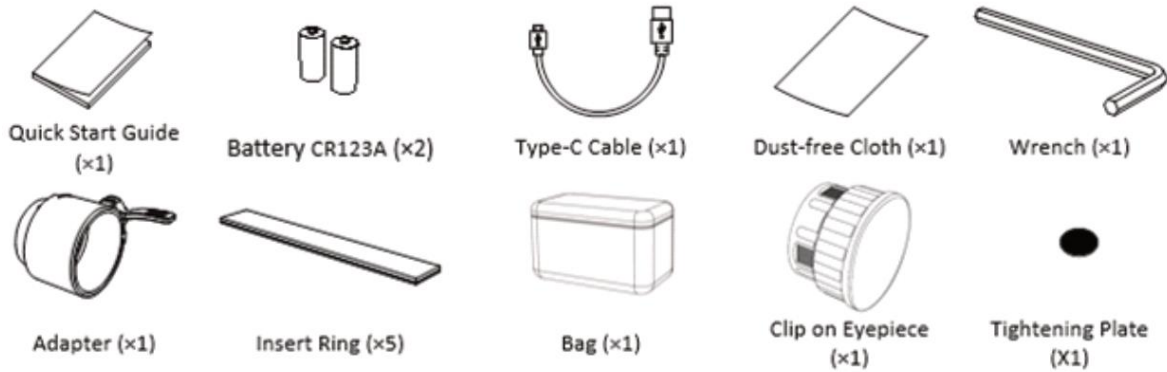


Unit:mm[Inch]

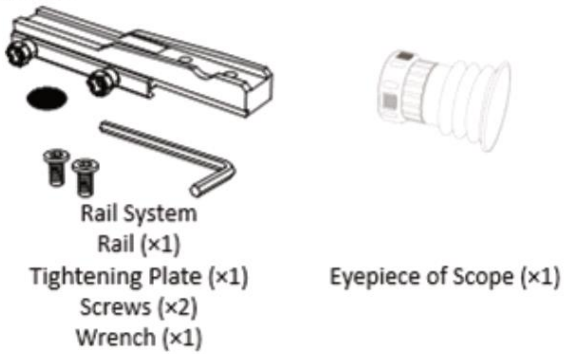


Unit:mm[Inch]

Accessory



Optional



COMPLIANCE NOTICE: The thermal series products might be subject to export controls in various countries or regions, including without limitation, the United States, European Union, United Kingdom and/or other member countries of the Wassenaar Arrangement. Please consult your professional legal or compliance expert or local government authorities for any necessary export license requirements if you intend to transfer, export, re-export the thermal series products between different countries.

