

## M11 Handheld Thermography Camera



HIKMICRO M11 handheld thermography camera is specially designed for professional inspections. It's equipped with a 192 × 144 resolution thermal detector and an 8MP resolution visual camera. The high resolution 3.5-inch touch screen displays crisp, clear images and streamlines camera operations. Imaging modes include thermal, visual, picture in a picture of the optical and thermal view, and fusion of both channels. The M11 quickly identifies potential faults, quantifies the impact with accurate temperature measurement, provides detailed documentation to complete your inspections efficiently.

### Key Features

- High sensitivity thermal module with 192 × 144 resolution
- Supports multiple palettes
- High quality optical module with 8 MP resolution
- Bi-spectrum image fusion, picture-in-picture preview
- Wide temperature measurement range: -20 to 550 °C
- High temperature measurement accuracy: Max. ( $\pm 2^{\circ}\text{C}/3.6^{\circ}\text{F}$ ,  $\pm 2\%$ ), for ambient temperature 15°C to 35°C (59°F to 95°F) and object temperature above 0°C (32°F)
- 640 x 480 resolution 3.5" LCD touch display
- Long-distance laser light supplement for thermography targets
- LED light supplement makes the device a torch in required scenarios
- 1.0x to 8.0x continuous digital zoom
- Supports remote album access, download and quick report with APP.

## ▪ Specification

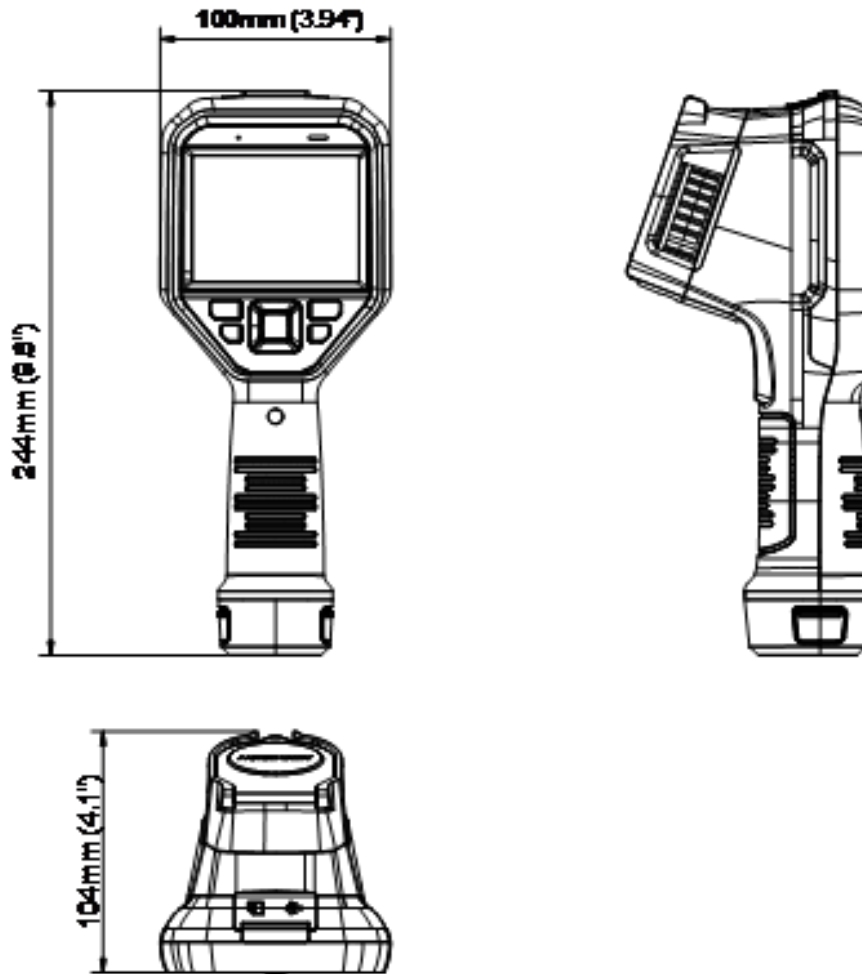
| <b>Infrared Image</b>                 |  |
|---------------------------------------|--|
| IR Resolution                         | 192 × 144 (27,648 pixels)  |
| SuperIR                               | 384 × 288 (110,592 pixels)   |
| NETD                                  | < 40 mK (@ 25 °C, F#=1.0)  |
| Image Frequency                       | 25 Hz  |
| Detector Pitch                        | 12 μm  |
| Spectral Range                        | 7.5 to 14 μm   |
| Focal Length                          | 6.9 mm   |
| F-number                              | F1.0   |
| Field of View (FOV)                   | 18.8° × 14.1°  |
| Spatial Resolution (IFOV)             | 1.74 mrad  |
| Min. Focus Distance                   | 0.1 m (0.33 ft)  |
| Focus Mode                            | Manual Focus   |
| <b>Image Display</b>                  |  |
| Visual Camera                         | 3264 × 2448 (8 MP)   |
| Display                               | 640 × 480 Resolution, 3.5" LCD Touch Screen  |
| Screen Brightness                     | Manual   |
| Digital Zoom                          | 1.0x to 8.0x continuous  |
| Color Palettes                        | White Hot, Black Hot, Rainbow, Ironbow, Red Hot, Fusion, Rain, Blue Red                                    |
| Focus Mode Palette                    | Above/Below/Interval   |
| Color Alarm                           | Above/Below/Interval/Insulation  |
| Image Modes                           | Thermal/Visual/Fusion/PIP/Blending   |
| <b>Measurement and Analysis</b>       |  |
| Object Temperature Range              | -20 °C to 550 °C (-4 °F to 1022 °F)  |
| Accuracy                              | Max (±2°C/3.6°F, ±2%), for the ambient temp. 15°C to 35°C (59°F to 95°F) and object temp. above 0°C (32°F) |
| Measurement Tools                     | Center Spot, Hot Spot, Cold Spot<br>User-definable: 10 spots, 1 line, 5 rectangles, and 5 circles          |
| Level and Span Mode                   | Auto/Manual/1-Tap Touch-screen   |
| <b>Data Storage and Communication</b> |  |
| Storage Media                         | Removable 32 GB Micro SD Card  |
| Image Storage Capacity                | Approx. 60,000 Images  |
| Annotations                           | Voice note: max. 60 seconds;<br>Text note: max. 200 characters   |
| Video Storage Capacity                | Approx. 15 hours   |
| Video File Format                     | MP4 video  |
| <b>General</b>                        |  |
| Wi-Fi                                 | 802.11 b/g/n (2.4 GHz and 5 GHz)   |
| Bluetooth                             | Bluetooth 4.2  |
| USB Interface                         | USB Type-C   |

|                           |  |
|---------------------------|--|
| LED Light                 | Yes  |
| Laser                     | Yes, Class II, Wavelength: 635 nm; Power: < 1 mW     |
| Battery Type              | Interchangeable and rechargeable Li-ion battery      |
| Battery Operating Time    | Approx. 6 hours                                      |
| Battery Charging Time     | Approx. 4 hours fully charged                        |
| Protection Level          | IP54   |
| Drop Test Height          | 2 m (6.56 ft)  |
| Safety                    | IEC 61010-1  |
| EMC                       | EN 50130-4, EN 55032, EN IEC 61000-3-2, EN 61000-3-3 |
| Vibration                 | 1 g, IEC 60068-2-6                                   |
| Shock                     | 15 g, IEC 60068-2-27                                 |
| Working Temperature Range | -10°C to 50°C (-4°F to 122°F)                        |
| Storage Temperature Range | -20°C to 70°C (-4°F to 158°F)                        |
| Relative Humidity         | < 95% non-condensing                                 |
| Weight                    | Approx. 660g (1.46 lb)                               |
| Dimension                 | 244 × 100 × 104 mm (9.6 × 3.9 × 4.1 in)              |
| Tripod Mounting           | UNC ¼"-20  |

## ▪ Available Model

M11

## ▪ Dimension



## ▪ Optional Accessories



M Series Battery  
E097-13-1S1P26650



M Series Charging Base  
HM-5202ZC



Tripod Mounting Bracket  
HM-2925ZJ-TM01-BRACKET



M/G/SP Series Pouch  
HM-SP01-POUCH

COMPLIANCE NOTICE: The thermal series products might be subject to export controls in various countries or regions, including without limitation, the United States, European Union, United Kingdom and/or other member countries of the Wassenaar Arrangement. Please consult your professional legal or compliance expert or local government authorities for any necessary export license requirements if you intend to transfer, export, re-export the thermal series products between different countries.



 HIKMICRO Thermography  hikmicro\_thermography  HIKMICRO Thermography  HIKMICRO  info@hikmicrotech.com  <http://hikmicrotech.com/en>

© Hangzhou Microimage Software Co., Ltd. All Rights Reserved.

\*Note: Specifications are subject to change without notice. For the current specs,  
please go to [www.hikmicrotech.com](http://www.hikmicrotech.com)