

OWL OH25 Handheld Thermal Monocular Camera



HIKMICRO OWL OH25 handheld thermal monocular camera is equipped with a 384 × 288 infrared detector and a 1024 × 768 OLED display. It supports functions of observation, highest temperature target tracking, distance measurement, Wi-Fi hot spot, and so on. The high-sensitivity built-in thermal detector provides you with clear view even in total darkness. The monocular is mainly applied to scenarios such as patrolling, searching and rescuing, hiking, travel, and hunting, etc.

Key Features

- High sensitivity thermal module with 384 × 288 resolution
- NETD < 35 mK (@25 °C, F#=1.0)
- Leading thermal image processing technology: Adaptive AGC, DDE, 3D DNR
- 1024 × 768 resolution 0.39-inch OLED display
- Built-in rechargeable Li-ion battery
- Up to 7 hours continuous operation

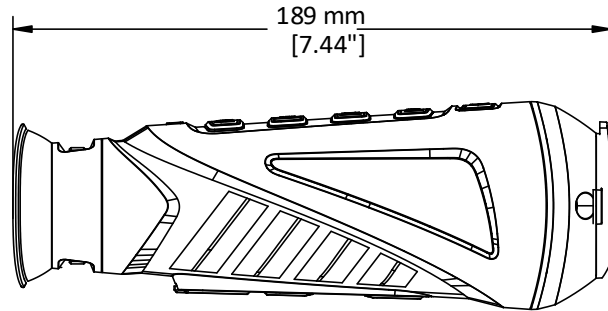
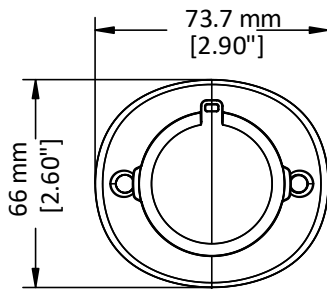
▪ Specification

Thermal Module	
Image Sensor	VOx Uncooled Focal Plane Arrays
Resolution	384 × 288
Frame Frequency	50 Hz
Pixel Interval	17 μm
Response Waveband	8 μm to 14 μm
NETD	≤ 35 mK (@25°C),F#=1.0
Focal Length	25 mm
Field of View	14.88° × 11.19° (H × V)
Aperture	F1.0
Magnification	1.7 - 13.6
Image Display	
Monitor	0.39 inch, OLED, 1024 × 768
Palettes	Black Hot, White Hot, Red Hot, Fusion
FFC (Flat Field Correction) Mode	Auto, Manual, External Correction
Digital Zoom	1×,2×,4×,8×
Smart Function	
Hot Track	Yes
Detection Range	882 m
System	
Storage	Built-in memory module (16 GB)
Record Video	Yes
Capture Snapshot	Yes
Wi-Fi	Yes
Standby Mode	Yes
Power Supply	
Battery Type	Rechargeable Lithium Battery
Battery Operating Time	7 hours continuous running with Wi-Fi hot spot function off (@25 °C) 5.5 hours continuous running with Wi-Fi hot spot function on (@25 °C)
Battery Capacity Display	Yes
General	
Mounting	UNC 1/4' - 20
Hardware Interface	Type-C USB
Power	5 VDC/2 A
Power Consumption	1.5 W
Work Temperature/Humidity	From -30°C to 55°C (-22°F to 131°F); Humidity: 90% or Less
Protection Level	IP67
Vibration & Shock	MIL-STD-810F
Drop Test Height	2 m (6.56 feet)
Dimension	189 mm × 73.7 mm × 66 mm (7.44" × 2.90" × 2.60")
Weight	460 g (1.01 lb)

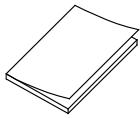
Available Model

HM-TS03-25XF/W-OH25

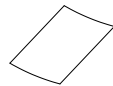
Dimension



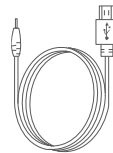
Accessory



Quick Start Guide
(x1)



Non-dust Cloth (x1)



USB Cable (x1)



Protective Bag (x1)



Wrist Strap (x1)

COMPLIANCE NOTICE: The thermal series products might be subject to export controls in various countries or regions, including without limitation, the United States, European Union, United Kingdom and/or other member countries of the Wassenaar Arrangement. Please consult your professional legal or compliance expert or local government authorities for any necessary export license requirements if you intend to transfer, export, re-export the thermal series products between different countries.