

SQ50 2.0

Thermal Scope



HIKMICRO SQ50 2.0 (STELLAR 2.0) Thermal Scope is equipped with a 640 × 512 @12 um thermal detector, 50 mm focal length and 1920 × 1080 0.49" semi-round OLED display. Plus a thermal sensitivity of less than 20 mK NETD, SQ50 2.0 ensures perfect image quality and detail recognition even in the hardest weather conditions. The traditional-style 30mm tube design meets the needs of professional hunters who value traditions and seek technological superiority. The scope is mainly applied to forest & field hunting, searching and rescuing scenarios.

Key Feature

- 640 × 512 resolution @12μm thermal detector
- High sensitivity thermal module NETD < 20 mK (@25°C, F# = 1.0)
- 50 mm, F1.0 lens with detection range up to 2600 m
- 1920 × 1080 resolution 0.49-inch OLED display
- 11h+ continuous operation
- Rechargeable internal batteries and external battery
- High shock resistance up to 1000 g/0.4 ms

Specification

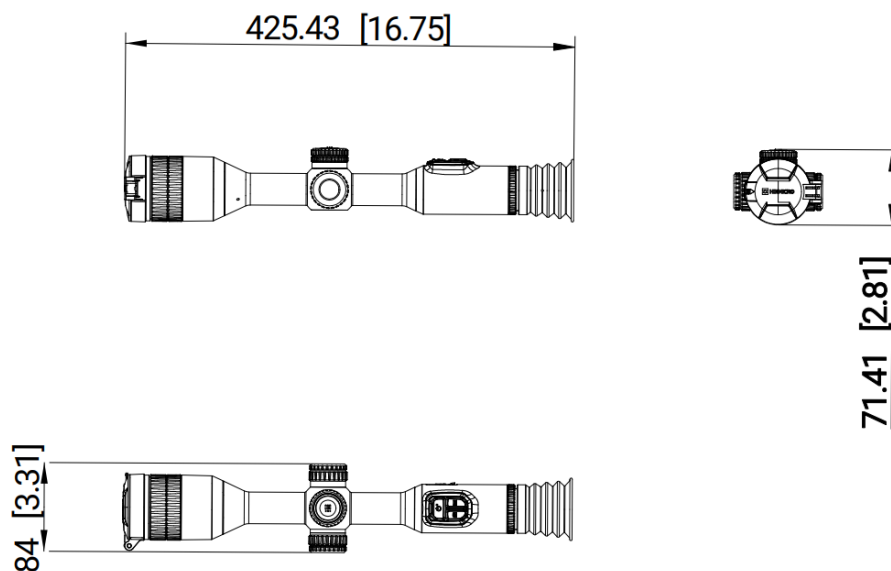
| Thermal Module | |
|--|---|
| Image Sensor | VOx Uncooled Focal Plane Arrays |
| Max. Resolution | 640 × 512 |
| Frame Rate | 50 Hz |
| Pixel Interval | 12 μm |
| Response Waveband | 8 μm to 14 μm |
| NETD | Less than 20 mK (@25°C), F# = 1.0 |
| Lens (Focal Length) | 50 mm, F1.0 |
| Focus Mode | Focus Ring |
| Detection Range | 2600 m |
| Min. Focusing Distance | 5 m |
| Magnification | 3.3x to 26.4x (8x) Supports continuous zooming |
| Field of View (H × V), Degrees / m @100 m | 8.8° × 5.3°/15.4 m × 9.2 m |
| Image Display | |
| Display | 1920 × 1080, 0.49-inch OLED |
| Palettes | Black Hot, White Hot, Red Hot, Fusion |
| FFC (Flat Field Correction) Mode | Auto, Manual, External Correction |
| Exit Pupil | 6 mm |
| Eye Relief | 55 mm |
| Diopter (Range) | -5D to 5D |
| Brightness Adjustment | Yes |
| Tone Adjustment | Cold, Warm |
| Contrast Adjustment | Yes |
| Image Pro | Yes |
| System | |
| Record Video | On-board Video Recording |
| Capture Snapshot | Yes |
| Audio Recording | Yes |
| Recoil-activation Recording | Yes |
| Standby Mode | Yes |
| Storage | Built-in EMMC (64 GB) |
| PIP | Yes |
| Hotspot | Yes |
| Hot Track | Yes |
| Distance Measurement | Yes |
| Zeroing Profiles | 5 |
| Freeze Zeroing | Yes |

| | |
|------------------------|--|
| Max. Recoil | 1000 g/0.4 ms |
| Power Supply | |
| Battery Type | Two rechargeable Lithium batteries (internal), one replaceable and rechargeable 18650 battery (external) |
| Battery Operating Time | 11 hours continuous running (@25°C, Wi-Fi off) |
| Type-C Power Supply | DC 5 V/2 A, USB Type-C interface Supports QC3.0 |
| General | |
| Protection Level | IP67 |
| Mounting | Standard 30 mm |
| Dimension | 425.4 mm × 84 mm × 71.4 mm |
| Working Temperature | -30°C to 55°C (-22°F to 131°F) |
| Weight | 950 g without external battery |

• Available Model

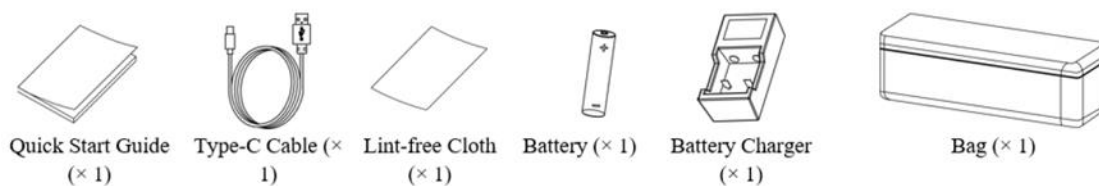
HM-TR36-50S2G/W-SQ50 2.0

• Dimension



Unit: mm [inch]

• Accessories



COMPLIANCE NOTICE: The thermal series products might be subject to export controls in various countries or regions, including without limitation, the United States, European Union, United Kingdom and/or other member countries of the Wassenaar Arrangement. Please consult your professional legal or compliance expert or local government authorities for any necessary export license requirements if you intend to transfer, export, re-export the thermal series products between different countries.



HIKMICRO SIGHT



[f Hikmicro Hunting.Global](#) [y HIKMICRO Outdoor](#) [www.hikmicrotech.com](#) [i hikmicro hunting.global](#) [in HIKMICRO](#) [info@hikmicrotech.com](#)

room 313, unit B, building 2, 399 danfeng road, xixing subdistrict, binjiang district, hangzhou, zhejiang
@hangzhou microimage software co., Ltd .2024 | data subject to change without notice!