

## SP40 SP Series Handheld Thermal Camera



The HIKMICRO SP40 high-performance handheld thermal camera is ideal for industrial, predictive, oil and gas, and utility maintenance inspections. HIKMICRO SP40 has a high sensitivity (NETD < 30 mK) and high resolution (480 × 360) HIKMICRO VOx detector, and the temperature calibration is up to 650°C. Advanced features help thermal imaging professionals to easily survey equipment and find signs of malfunction, such as GPS and compass annotations, continuous digital zoom, and 1-Tap level and span.

Connect HIKMICRO Viewer App or HIKMICRO Analyzer software to transfer, analyze, and share pictures, and generate reports for free.

### ▪ Features

- Thermal resolution: 480 × 360 (172,800 pixels), NETD: < 30 mK (@ 30 °C, F#=1.0)
- Temperature measurement range: -20 °C to 650 °C (-4 °F to 1202 °F)
- The 90° rotating screen and the 180° rotating lens design
- 1.x to 12.x continuous digital zoom
- Manual, automatic, and 1-Tap Level and Span
- 30 Hz image frequency
- Up to 4 hours continuous running

## ▪ Specification

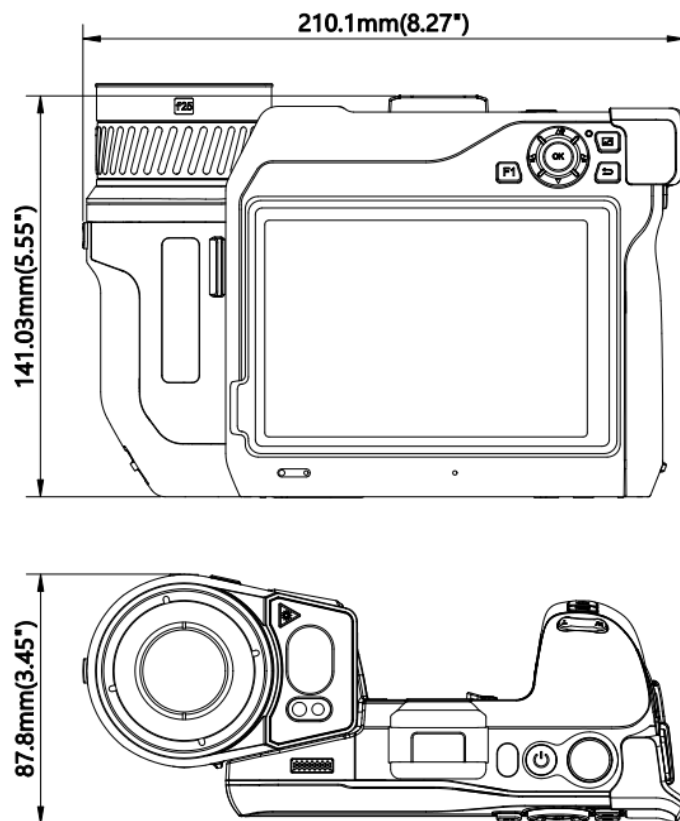
Infrared Image	
IR Resolution	480 × 360 (172,800 pixels)
SuperIR	960 × 720 (691,200 pixels)
NETD	< 30 mK (@ 30 °C, F#=1.0)
Image Frequency	30 Hz
Detector Pitch	17 μm
Spectral Range	7.5 to 14 μm
Focal Length	L6: 77.4 mm; L9: 51.4 mm; L19: 25.6 mm; L37: 12.6 mm
F-number	L6: F1.2; L9: F1.1; L19: F1.0; L37: F1.0
Field of View (FOV)	L6: 6° × 4.5°; L9: 9° × 6.8°; L19: 18.7° × 14°; L37: 37.3° × 27.8°
Spatial Resolution (IFOV)	L6: 0.22 mrad; L9: 0.33 mrad; L19: 0.66 mrad; L37: 1.35 mrad
Min. Focus Distance	L6: 2 m (6.56 ft); L9: 1 m (3.3 ft); L19: 0.15 m (0.49 ft); L37: 0.15 m (0.49 ft)
Focus Mode	Laser Assisted AF/Continuous AF/AF/Manual Focus/Touch AF
Focus Speed	Approx. 1 second
Image Display	
Visual Camera	3264 × 2448 (8 MP)
Display	1280 × 720 Resolution, 5" LCD Touch Screen
Screen Brightness	Manual/Auto
Digital Zoom	1.x to 12.x continuous
Color Palettes	White Hot, Black Hot, Rainbow, Ironbow, Red Hot, Fusion, Rain, Blue Red, Blue Yellow, Bright Rainbow.
Focus Mode Palette	Above/Below/Interval
Color Alarm	Above/Below/Interval/Insulation/Condensation
Image Modes	Thermal/Visual/Fusion/PIP/Blending
Viewfinder	No
Measurement and Analysis	
Object Temperature Range	Range 1: -20°C to 150°C (-40°F to 302°F); Range 2: 0°C to 650°C (212°F to 1202°F)
Accuracy	Range 1: ±2°C for -20 to 0°C, ±1°C for 0 to 100°C, ±1% for 100 to 150°C; Range 2: ±2°C for 0 to 100°C, ±2% for 100 to 650°C
Measurement Tools	Center Spot, Hot Spot, Cold Spot User-definable: Delta T, 10 spots, 1 line, 5 rectangles, and 5 circles
Level and Span Mode	Auto/Manual/1-Tap Touch-Screen
Inspection Route	Yes
SuperScene+	Electrical Panel, PCB Inspection
Data Storage and Communication	
Image Storage Capacity	Approx. 130,000 Images (8MP)
Annotations	Voice note: max. 60 seconds; Text note: max. 200 characters; QR Code note; Picture note; Tag note; Sketch
Video Storage Capacity	MP4 video max. 420h; Radiometric video max. 72h
Video File Format	MP4 video and radiometric video
Image Format	Radiometric JPEG
Radiometric Infrared-Video Streaming (Compressed)	Over UVC, Wi-Fi

Extendable Memory Card	Extendable 128 GB SD Card
<b>General</b>	
Wi-Fi	802.11 b/g/n (2.4 GHz and 5 GHz)
Bluetooth	Bluetooth 4.2
USB Interface	USB Type-C
HDMI Interface	HDMI-D
Laser Pointer	Yes
Laser	Yes, Class II, Wavelength: 635 nm; Power: < 1 mW
Laser Distance Meter	Indoor distance: 50 m (164 ft); Outdoor distance: 10 m (33 ft).
GPS & Compass	Yes
Battery Type	Interchangeable and rechargeable Li-ion battery
Battery Operating Time	Approx. 4 hours
Battery Charging Time	Approx. 2.5 hours fully charged
Power Saving Mode	Yes
Programmable Buttons	2
Protection Level	IP54, IEC 60529
Drop Test Height	1 m (3.28 ft), IEC 60068-2-31
Safety	IEC 61010-1
Vibration	2 g, IEC 60068-2-6
EMC	EN 301 489-1, EN 301 489-17, EN IEC 61000-6-2, EN IEC 61000-6-4, EN 61326-1
Shock	25 g, IEC 60068-2-27
Storage Temperature Range	-20°C to 60°C (-4°F to 140°F)
Working Temperature Range	-20°C to 50°C (-4°F to 122 °F)
Relative Humidity	< 95% non-condensing
Weight	Approx. 1451 g (3.2 lb)
Dimension	210.1 × 141.03 × 87.8 mm (8.27 × 5.55 × 3.45 in)
Tripod Mounting	UNC ¼"-20
Warranty	3 years for the full product, 10 years for the detector, and 2 years for the battery.
LED Light	Yes

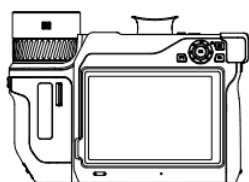
## ▪ Available Model

HM-TP94-Q/W-SP40-L6  
 HM-TP94-Q/W-SP40-L19/37  
 HM-TP94-Q/W-SP40-L9/19  
 HM-TP94-Q/W-SP40-L6/19  
 HM-TP94-Q/W-SP40-L9/37  
 HM-TP94-Q/W-SP40-L9  
 HM-TP94-Q/W-SP40-L19  
 HM-TP94-Q/W-SP40-L37

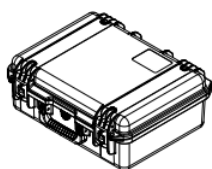
## ▪ Dimension



## ▪ Packaging List



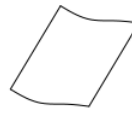
Camera(x1)



Hard Carrying Case(x1)



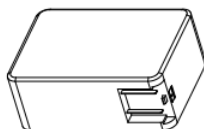
QSG(x1)



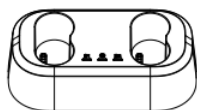
Non-Dust Cloth(x1)



Lens Caps(x1)



Adapter(x1)



Charging Base(x1)



USB Cable(x2)



Wrist Strap(x1)



Adapter Plug(x4)



Battery(x2)



HDMI Cable(x1)



Neck Strap(x1)

- Accessory
- Optional

**HM-AHBR01**  
SP Series Desktop  
Stand Bracket



**HM-SP650-MACRO**  
SP Series Macro Lens  
50 μm



**HM-SP620-LENS**  
SP Series 2X  
Telephoto Lens



**HM-20322ZC**  
SP Series Battery  
Charger



**HM-7250DC**  
SP Series Battery



**HM-SP01-POUCH**  
M/G/SP Series Pouch



**HM-SP605-LENS**  
SP Series 0.5X Wide  
Angle Lens



**HM-SP620-MACRO**  
SP Series Macro Lens



**HM-SP610-LENS**  
SP Series 1X  
Telephoto Lens



**HM-SP630-LENS**  
SP Series 3.3X  
Telephoto Lens



▪ **COMPLIANCE NOTICE:**

The thermal series products might be subject to export controls in various countries or regions, including without limitation, the United States, European Union, United Kingdom and/or other member countries of the Wassenaar Arrangement. Please consult your professional legal or compliance expert or local government authorities for any necessary export license requirements if you intend to transfer, export, re-export the thermal series products between different countries.



 Hikmicro Industrial

 hikmicro\_industrial

 HIKMICRO Industrial

 HIKMICRO

 info@hikmicrotech.com

 www.hikmicrotech.com

© Hangzhou Microimage Software Co., Ltd. All Rights Reserved.

\*Note: Specifications are subject to change without notice. For the current specs,  
please go to [www.hikmicrotech.com](http://www.hikmicrotech.com)