

THUNDER TQ35C

Thermal Monocular



Key Features

- 640 × 512 thermal resolution, high sensitivity detector, NETD < 35 mK (25°C, F# = 1.0)
- Image processing technology: Adaptive AGC, DDE, 3D DNR
- 1024 × 768 resolution 0.39-inch OLED display
- Supports distance measurement, and hotspot function
- Supports video recording and snapshot, built-in EMMC (16 GB)
- Up to 3.25 hours continuous working

Specification

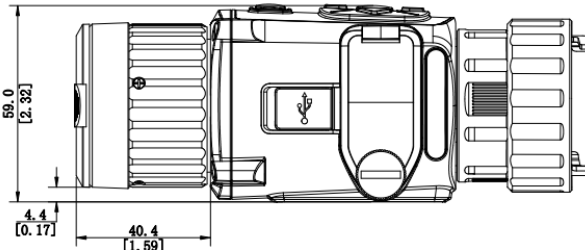
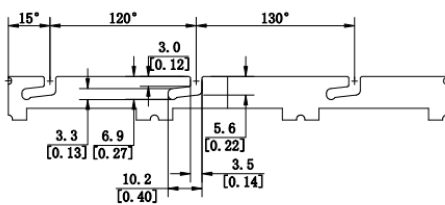
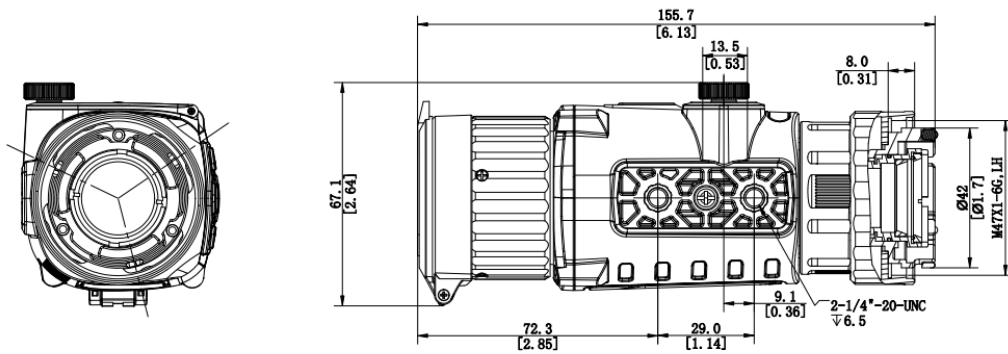
| THERMAL MODULE | |
|------------------------|-----------------------------|
| Image Sensor | Uncooled Focal Plane Arrays |
| Max. Resolution | 640 × 512 |
| Frame Rate | 50 Hz |
| Pixel Interval | 12 μm |
| Response Waveband | 8 μm to 14 μm |
| NETD | < 35 mK (25°C, F# = 1.0) |
| Lens (Focal Length) | 35 mm |
| Detection Range | 1800 m |
| IFOV | 0.343 mrad |
| Field of View | 12.5° × 10.0° |
| Min. Focusing Distance | 3.5 m |
| Aperture | F1.0 |
| Magnification | 1x |

| IMAGE DISPLAY | |
|---------------------------------|---|
| Display | 1024 × 768, 0.39 inch, OLED |
| Palettes | Black hot, white hot, red hot, fusion |
| Exit Pupil | 22 mm |
| Eye Relief | 10 mm |
| SYSTEM | |
| Record Video | On-board video recording |
| Capture Snapshot | Yes |
| Standby Mode | Yes |
| Uniformity Correction | Auto, Manual, External Correction |
| Storage | Built-in EMMC (16 GB) |
| PIP | Yes |
| DPC | Yes |
| Hotspot | Yes |
| Hot Track | Yes |
| Reticle | Yes |
| Distance Measurement | Yes |
| POWER SUPPLY | |
| Battery Type | Replaceable Applicable type: CR123A, RCR123A |
| Battery Operating Time | 3.25 h (25°C, with hotspot off) |
| Battery Capacity Display | Yes |
| Anti-reverse Battery Connection | Yes |
| Overvoltage Protection | Yes |
| Type-C Power Supply | 5 VDC, 2 A Supports external power supply |
| GENERAL | |
| Work Temperature/Humidity | -20°C to 55°C (-4°F to 131°F) |
| Protection Level | IP67 |
| Vibration & Shock | 750 g/1 ms |
| Dimension | 155.7 mm × 67.1 mm × 59.0 mm |
| Weight | 375 g without eyepiece and batteries |
| Port | Type-C |

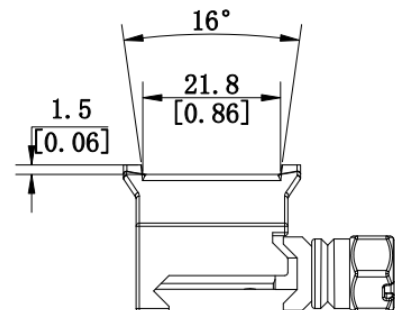
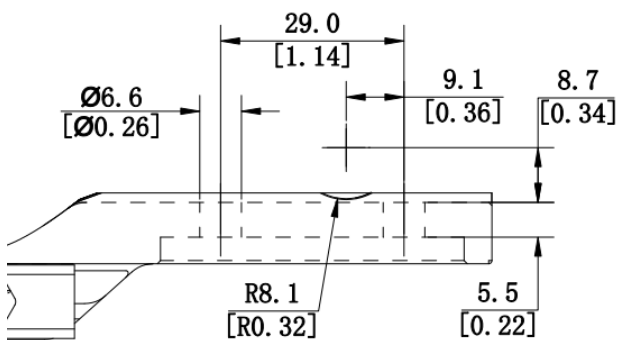
Available Model

HM-TR16-35XG/W-TQ35C

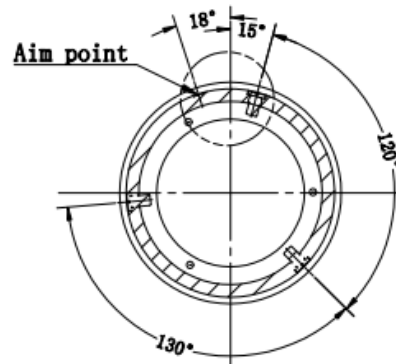
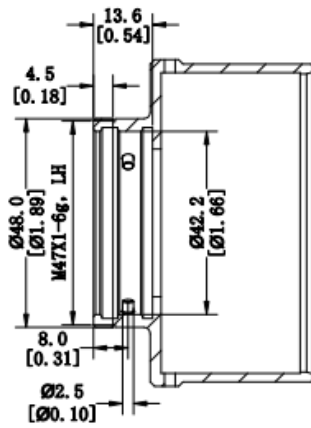
Dimension



Unit:mm[Inch]

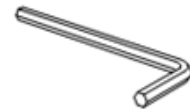
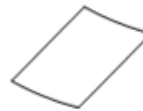


Unit:mm[Inch]



Unit: mm [Inch]

Accessories



Optional



COMPLIANCE NOTICE: The thermal series products might be subject to export controls in various countries or regions, including without limitation, the United States, European Union, United Kingdom and/or other member countries of the Wassenaar Arrangement. Please consult your professional legal or compliance expert or local government authorities for any necessary export license requirements if you intend to transfer, export, re-export the thermal series products between different countries.



 HIKMICRO Outdoor  hikmicro_outdoor  HIKMICRO Outdoor  HIKMICRO  info@hikmicrotech.com  <http://hikmicrotech.com/en>

room 313, unit B, building 2, 399 danfeng road, xixing subdistrict, binjiang district, hangzhou, zhejiang
@hangzhou microimage software co., Ltd .2020 | data subject to change without notice!