

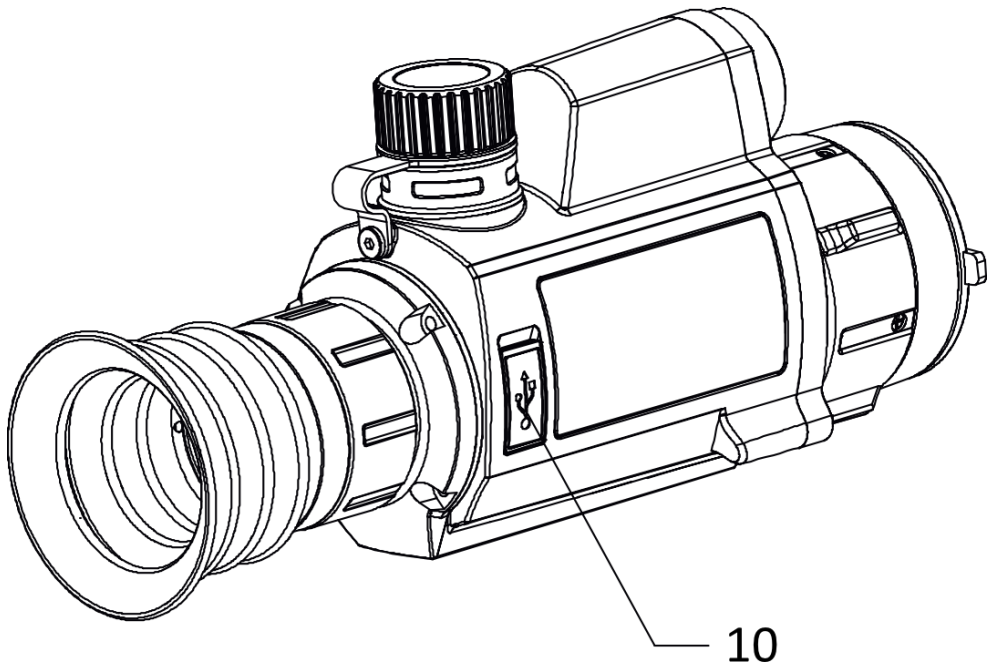
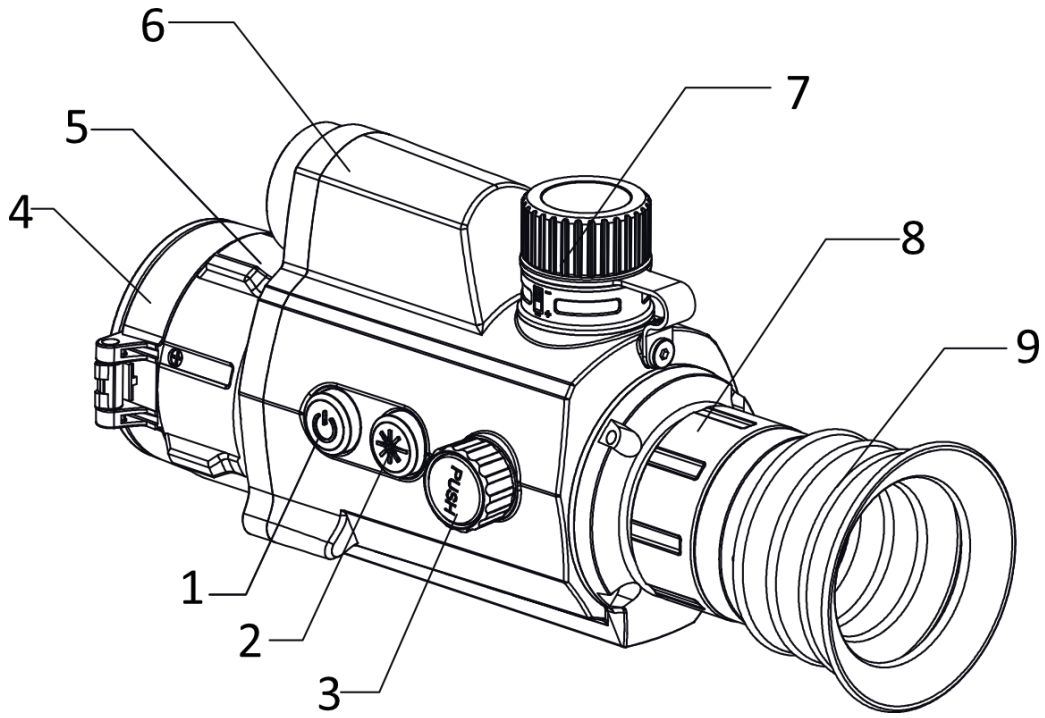


Thermal Image Scope

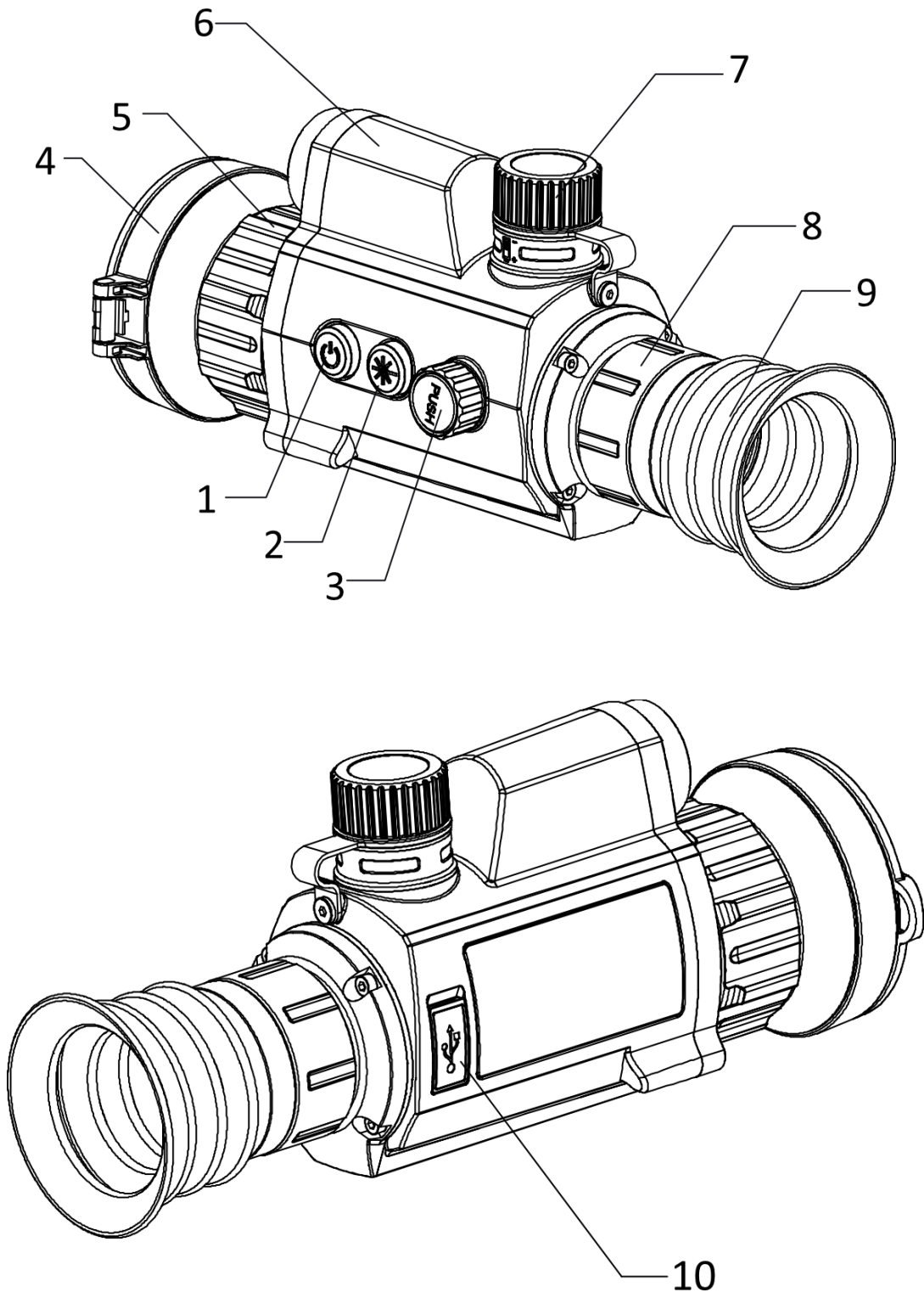
Quick Start Guide

Thermal Image Scope	English	6
Wärmebild-Zielfernrohr	Deutsch	14
Monoculaire à imagerie thermique	Français	22
Mira telescópica térmica	Español	30
Mira de Visão Térmica	Português	38
Termocannocchiale	Italiano	45
Termovizní zaměřovač	Čeština	53
Termografický objektív	Slovenčina	60
Kamera termowizyjna	Polski	68
Éjjellátó távcső	Magyar	76
Telescop cu imagini termice	Română	84
Thermische beeldscoop	Nederlands	91
Termisk kikkertkamera	Dansk	99
Termisk kamera	Norsk	106
Lämpötähtäin	Suomi	113
Kikarsikte med värmekamera	Svenska	120
Тепловизор	Русский	127
Termal Görüntü Objektifi	Türkçe	136
サーマルイメージスコープ	日本語	143
열화상 스코프	한국인	150
熱像儀	繁體中文	157

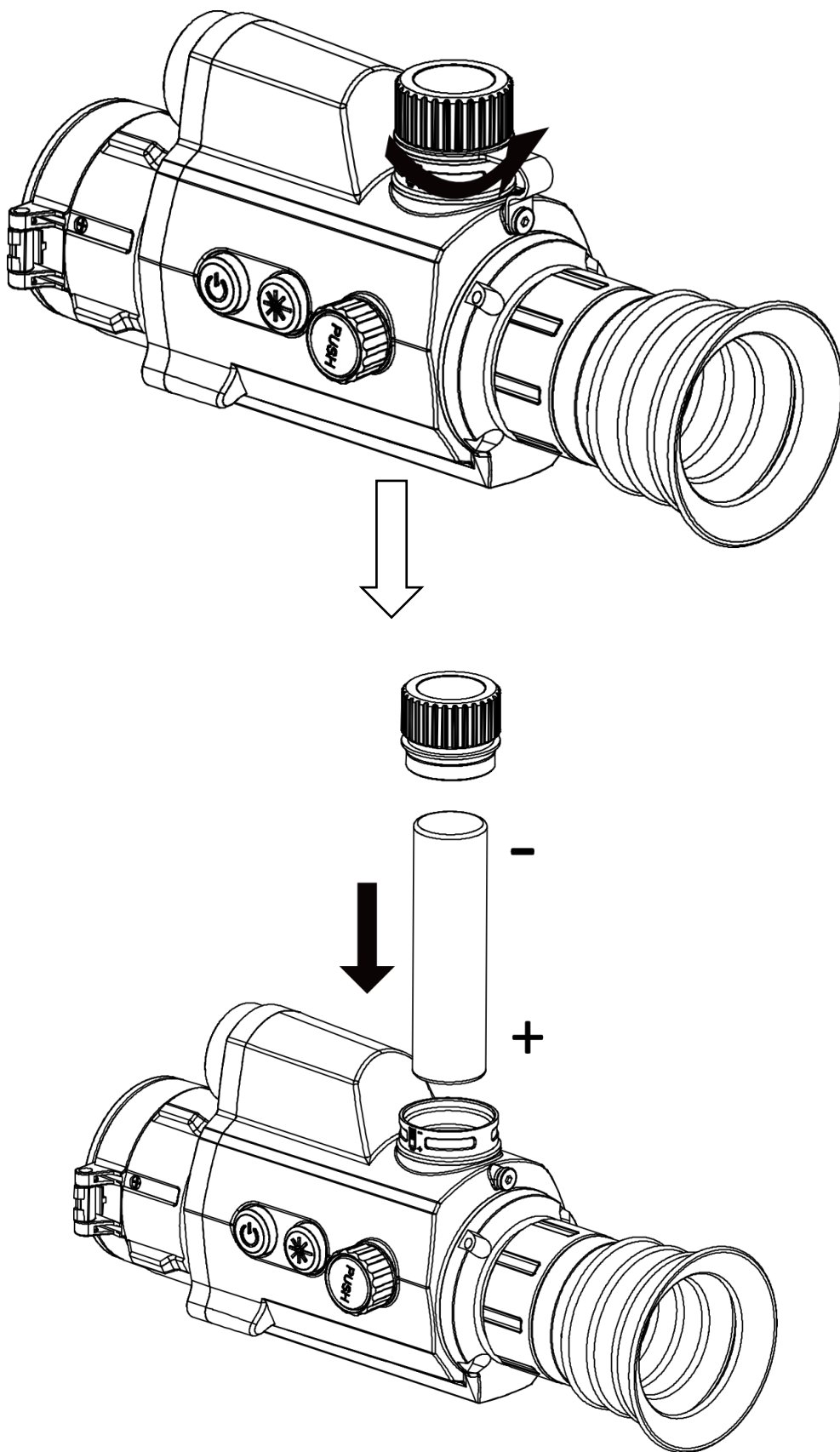
A
I



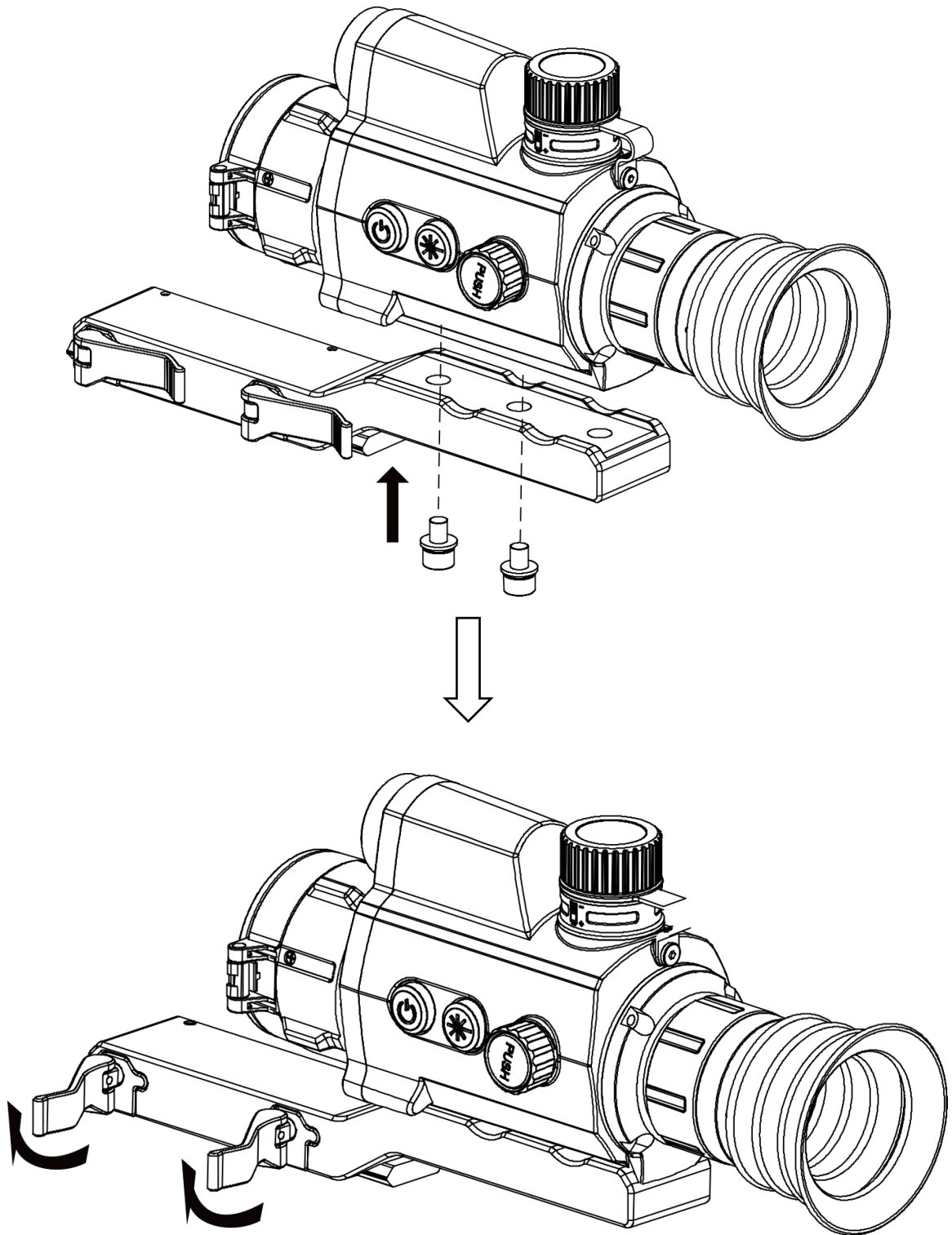
II



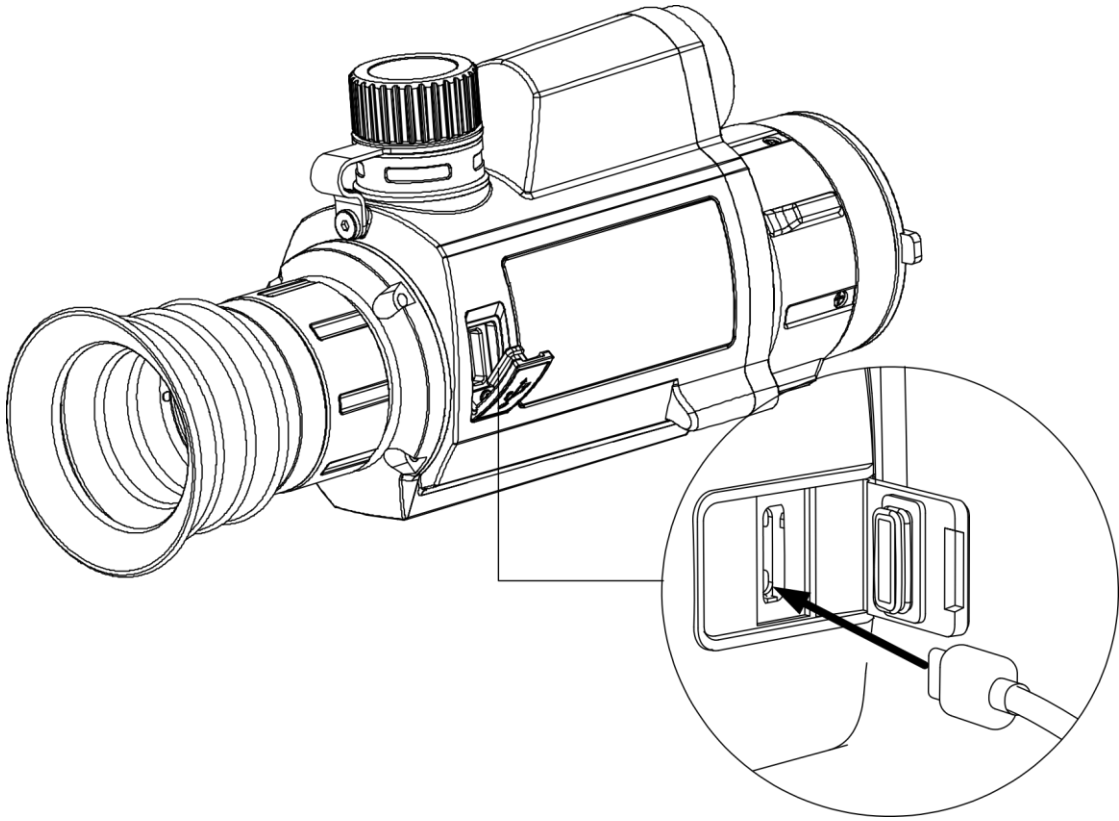
B



C



D



1. Brief Description

The thermal image scope is equipped with high-sensitivity IR detector, and adopts advanced thermal imaging technology, to get clear view in poor visibility or dark environment. It helps to view the target and measure the distance. It helps to view the target and measure the distance. The device can be widely used for searching and rescuing, hunting, etc.

The device can capture snapshots, record videos, and set parameters by HIKMICRO Sight App after being connected to your phone via hotspot. Search HIKMICRO Sight on App Store (iOS System) or Google Play™ (Android System) to download it, or scan the QR code to download and install the App.



Android System



iOS System

The frequency bands and modes and the nominal limits of transmitted power (radiated and/or conducted) applicable to this radio device are the following:

Wi-Fi 2.4 GHz (2.4 GHz to 2.4835 GHz)	20 dBm
---------------------------------------	--------

2. Appearance

There are two types of thermal image scopes. Please take the actual product for reference. The buttons, components and interface of the two types of thermal image scopes are the same.

Component & Interface (Page 1 – A)

No.	Component	Function
1	Power Key	<ul style="list-style-type: none"> ● Press: standby mode/wake up device ● Hold: power on/off

2	Measure Key	<ul style="list-style-type: none"> ● Press: measure the distance with laser ● Hold: capture
3	Wheel	<ul style="list-style-type: none"> ● Press: switch palettes ● Hold: menu operation ● Rotate: switch digital zoom
4	Lens Cover	Protect the lens.
5	Focus Ring	Adjust the sight view.
6	Laser Range Finder	Measure the distance with laser.
7	Battery Compartment	Install the battery in it.
8	Fixing Ring	Fix the eyepiece.
9	Eyepiece	View the target.
10	Data Exchange Interface	Connect with the output cable.

Button Combination

No.	Combination	Function
2 + 3	Measure Key + Wheel	Press at the same time to start or stop recording.
1 + 2 + 3	Power Key+ Measure Key + Wheel	Press at the same time to enter the hidden menu.

3. Install Battery (Page 3 – B)

Steps

1. Turn the battery cover anticlockwise to loosen it.
2. Insert the battery into the battery compartment with the positive mark inward.
3. Turn the battery cover clockwise to tighten it.

Note: Take the battery away if you do not use the device for a long time.

4. Install Rail (Page 4 – C)

Steps

1. Install the device to the rail as the black arrow shows.
2. Insert and tighten the screws.
3. Tighten the levers to secure the device.

Note:

- Turn off the device first.
- Use the non-dust cloth to clean the device base and the rail.

5. Connect Device (Page 5 – E)

Steps

1. Turn on the device and make sure the hotspot function is disabled.
2. Lift the cover of data exchange interface.
3. Connect the device and power adapter with a type-C cable to power on the device. Alternatively, connect the device and PC to export files.

User Manual



Legal Information


©2022 Hangzhou Microimage Software Co., Ltd. All rights reserved.

About this Manual

The Manual includes instructions for using and managing the Product. Pictures, charts, images and all other information hereinafter are for description and explanation only. The information contained in the Manual is subject to change, without notice, due to firmware updates or other reasons. Please find the latest version of this Manual at the HIKMICRO website (www.hikmicrotech.com/).

Please use this Manual with the guidance and assistance of professionals trained in supporting the Product.

Trademarks Acknowledgement

 **HIKMICRO** and other HIKMICRO's trademarks and logos are the properties of HIKMICRO in various jurisdictions. Other trademarks and logos mentioned are the properties of their respective owners.

LEGAL DISCLAIMER

TO THE MAXIMUM EXTENT PERMITTED BY APPLICABLE LAW, THIS

MANUAL AND THE PRODUCT DESCRIBED, WITH ITS HARDWARE, SOFTWARE AND FIRMWARE, ARE PROVIDED “AS IS” AND “WITH ALL FAULTS AND ERRORS”. HIKMICRO MAKES NO WARRANTIES, EXPRESS OR IMPLIED, INCLUDING WITHOUT LIMITATION, MERCHANTABILITY, SATISFACTORY QUALITY, OR FITNESS FOR A PARTICULAR PURPOSE. THE USE OF THE PRODUCT BY YOU IS AT YOUR OWN RISK. IN NO EVENT WILL HIKMICRO BE LIABLE TO YOU FOR ANY SPECIAL, CONSEQUENTIAL, INCIDENTAL, OR INDIRECT DAMAGES, INCLUDING, AMONG OTHERS, DAMAGES FOR LOSS OF BUSINESS PROFITS, BUSINESS INTERRUPTION, OR LOSS OF DATA, CORRUPTION OF SYSTEMS, OR LOSS OF DOCUMENTATION, WHETHER BASED ON BREACH OF CONTRACT, TORT (INCLUDING NEGLIGENCE), PRODUCT LIABILITY, OR OTHERWISE, IN CONNECTION WITH THE USE OF THE PRODUCT, EVEN IF HIKMICRO HAS BEEN ADVISED OF THE POSSIBILITY OF SUCH DAMAGES OR LOSS.

YOU ACKNOWLEDGE THAT THE NATURE OF THE INTERNET PROVIDES FOR INHERENT SECURITY RISKS, AND HIKMICRO SHALL NOT TAKE ANY RESPONSIBILITIES FOR ABNORMAL OPERATION, PRIVACY LEAKAGE OR OTHER DAMAGES RESULTING FROM CYBER-ATTACK, HACKER ATTACK, VIRUS INFECTION, OR OTHER INTERNET SECURITY RISKS; HOWEVER, HIKMICRO WILL PROVIDE TIMELY TECHNICAL SUPPORT IF REQUIRED.

YOU AGREE TO USE THIS PRODUCT IN COMPLIANCE WITH ALL APPLICABLE LAWS, AND YOU ARE SOLELY RESPONSIBLE FOR ENSURING THAT YOUR USE CONFORMS TO THE APPLICABLE LAW. ESPECIALLY, YOU ARE RESPONSIBLE, FOR USING THIS PRODUCT IN A MANNER THAT DOES NOT INFRINGE ON THE RIGHTS OF THIRD PARTIES, INCLUDING WITHOUT LIMITATION, RIGHTS OF PUBLICITY, INTELLECTUAL PROPERTY RIGHTS, OR DATA PROTECTION AND OTHER PRIVACY RIGHTS. You shall not use this product for illegal hunting animals, invasion of privacy or any other purpose which is illegal or detrimental to the public interest. YOU SHALL NOT USE THIS PRODUCT FOR ANY PROHIBITED END-USES, INCLUDING THE DEVELOPMENT OR PRODUCTION OF WEAPONS OF MASS DESTRUCTION, THE DEVELOPMENT OR PRODUCTION OF CHEMICAL OR BIOLOGICAL WEAPONS, ANY ACTIVITIES IN THE CONTEXT RELATED TO ANY NUCLEAR EXPLOSIVE OR UNSAFE NUCLEAR FUEL-CYCLE, OR IN SUPPORT OF HUMAN RIGHTS ABUSES.

IN THE EVENT OF ANY CONFLICTS BETWEEN THIS MANUAL AND THE APPLICABLE LAW, THE LATTER PREVAILS.

Regulatory Information

FCC Information

Please take attention that changes or modification not expressly approved by the party responsible for compliance could void the user’s authority to operate the equipment.

FCC compliance: This equipment has been tested and found to comply with the limits for a Class B digital device, pursuant to part 15 of the FCC Rules. These limits are designed to provide reasonable protection against harmful interference in a residential installation. This equipment generates, uses and can radiate radio frequency energy and, if not installed and used in accordance with the instructions, may cause harmful interference to radio communications. However, there is no guarantee that interference will not occur in a particular installation. If this equipment does cause harmful interference to radio or television reception, which can be determined by turning the equipment off and on, the user is encouraged to try to correct the interference by one or more of the following measures:

- Reorient or relocate the receiving antenna.
- Increase the separation between the equipment and receiver.
- Connect the equipment into an outlet on a circuit different from that to which the receiver is connected.
- Consult the dealer or an experienced radio/TV technician for help.

FCC Conditions

This device complies with part 15 of the FCC Rules. Operation is subject to the following two conditions:

1. This device may not cause harmful interference.
2. This device must accept any interference received, including interference that may cause undesired operation.

This equipment complies with FCC radiation exposure limits set forth for an uncontrolled environment. This equipment should be installed and operated with minimum distance 20cm between the radiator & your body.

EU Conformity Statement



This product and - if applicable - the supplied accessories too are marked with "CE" and comply therefore with the applicable harmonized European standards listed under the Directive 2014/53/EU (RED), Directive 2014/30/EU (EMCD), Directive 2014/35/EU (LVD), Directive 2011/65/EU (RoHS), Directive 2012/19/EU (WEEE Directive): Products marked with this symbol cannot be disposed of as unsorted municipal waste in the European Union. For proper recycling, return this product to your local supplier upon the purchase of equivalent new equipment, or dispose of it at designated collection points. For more information see: www.recyclethis.info



Directive 2006/66/EC and its amendment 2013/56/EU (Battery Directive): This product contains a battery that cannot be disposed of as unsorted municipal waste in the European Union. See the product documentation for specific battery information. The battery is marked with this symbol, which may include lettering to indicate cadmium (Cd), lead (Pb), or mercury (Hg). For proper recycling, return the battery to your supplier or to a designated collection point. For more information see: www.recyclethis.info.

Industry Canada ICES-003 Compliance

This device meets the CAN ICES-3 (B)/NMB-3(B) standards requirements. This device complies with Industry Canada licence-exempt RSS standard(s). Operation is subject to the following two conditions:

- (1) this device may not cause interference, and
- (2) this device must accept any interference, including interference that may cause undesired operation of the device.

Le présent appareil est conforme aux CNR d'Industrie Canada applicables aux appareils radioexempts de licence. L'exploitation est autorisée aux deux conditions suivantes :

- (1) l'appareil ne doit pas produire de brouillage, et
 - (2) l'utilisateur de l'appareil doit accepter tout brouillage radioélectrique subi, même si le brouillage est susceptible d'en compromettre le fonctionnement.
- equipment complies with IC RSS-102 radiation exposure limits set forth for an uncontrolled environment. This equipment should be installed and operated with minimum distance 20cm between the radiator & your body.

ce matériel est conforme aux limites de dose d'exposition aux rayonnements, CNR-102 énoncée dans un autre environnement. cette équipement devrait être installé et exploité avec distance minimale de 20 entre le radiateur et votre corps.

Safety Instruction

These instructions are intended to ensure that user can use the product correctly to avoid danger or property loss.

Laws and Regulations

- Use of the product must be in strict compliance with the local electrical safety regulations.

Transportation

- Keep the device in original or similar packaging while transporting it.
- Keep all wrappers after unpacking them for future use. In case of any

failure occurred, you need to return the device to the factory with the original wrapper.

- Transportation without the original wrapper may result in damage on the device and the company shall not take any responsibilities.
- Do not drop the product or subject it to physical shock. Keep the device away from magnetic interference.

Power Supply

- Please purchase the adapter by yourself. Input voltage should meet the Limited Power Source (5 VDC, 2A) according to the IEC61010-1 standard. Please refer to technical specifications for detailed information.
- Use the power adapter provided by qualified manufacturer. Refer to the product specification for detailed power requirements.
- The battery charger is included in the package. The input voltage for the supplied battery charger should meet the Limited Power Source (5 VDC, 2 A).
- Make sure the plug is properly connected to the power socket.
- DO NOT connect multiple devices to one power adapter, to avoid over-heating or fire hazards caused by overload.
- The power source should meet limited power source or PS2 requirements according to IEC 60950-1 OR ICE 62368-1 standard.

Battery

- Improper use or replacement of the battery may result in explosion hazard. Replace with the same or equivalent type only.
- Use the battery provided by qualified manufacturer. Refer to the product specification for detailed battery requirements.
- The battery type is 18650 with the protection board, and the battery size should be 19 mm × 70 mm. The rated voltage and capacity are 3.6 VDC/3.35 Ah (12.06 Wh). Dispose of used batteries in conformance with the instructions provided by the battery manufacturer.
- Make sure the battery temperature is between 0°C to 45°C (32°F to 113°F) when charging.
- For long-term storage of the battery, make sure it is fully charged every half year to ensure the battery quality. Otherwise, damage may occur.
- Do not charge other battery types with the supplied charger. Confirm there is no flammable material within 2 m of the charger during charging.
- DO NOT place the battery near heating or fire source. Avoid direct sunlight.
- DO NOT place the battery in the reach of children.
- The battery cannot be charged with external power source directly.
- The device cannot be charged. Please use the supplied charger to

charge the battery.

Maintenance

- If the product does not work properly, please contact your dealer or the nearest service center. We shall not assume any responsibility for problems caused by unauthorized repair or maintenance.
- Wipe the device gently with a clean cloth and a small quantity of ethanol, if necessary.
- If the equipment is used in a manner not specified by the manufacturer, the protection provided by the device may be impaired.

Using Environment

- Make sure the running environment meets the requirement of the device. The operating temperature shall be -30°C to 55°C (-22°F to 131°F), and humidity shall be 5% to 95%.
- Place the device in a dry and well-ventilated environment.
- DO NOT expose the device to high electromagnetic radiation or dusty environments.
- DO NOT aim the lens at the sun or any other bright light.
- When any laser equipment is in use, make sure that the device lens is not exposed to the laser beam, or it may burn out.

Emergency

- If smoke, odor, or noise arises from the device, immediately turn off the power, unplug the power cable, and contact the service center.

Laser



When any laser equipment is in use, make sure that the device lens is not exposed to the laser beam, or it may burn out. The laser radiation emitted from the device can cause eye injuries, burning of skin or inflammable substances. Before enabling the light supplement function, make sure no human or inflammable substances are in front of the laser lens. Do not place the device where minors can fetch it.

Manufacture Address

Room 313, Unit B, Building 2, 399 Danfeng Road, Xixing
Subdistrict, Binjiang District, Hangzhou, Zhejiang 310052, China
Hangzhou Microimage Software Co., Ltd.

COMPLIANCE NOTICE: The thermal series products might be subject to export controls in various countries or regions, including without

limitation, the United States, European Union, United Kingdom and/or other member countries of the Wassenaar Arrangement. Please consult your professional legal or compliance expert or local government authorities for any necessary export license requirements if you intend to transfer, export, re-export the thermal series products between different countries.

Deutsch

1. Kurze Beschreibung

Das Wärmebild-Zielfernrohr verfügt über einen hochempfindlichen IR-Sensor und nutzt fortschrittliche Wärmebildtechnologie, um auch bei schlechten Sichtverhältnissen oder in dunkler Umgebung für eine klare Sicht zu sorgen. Es hilft, das Ziel zu erkennen und die Entfernung zu messen. Es hilft, das Ziel zu erkennen und die Entfernung zu messen. Das Gerät kann bei einer Vielzahl von Aktivitäten eingesetzt werden, zum Beispiel bei Suche und Rettung, bei der Jagd usw.

Das Gerät kann Fotos aufnehmen, Videos aufzeichnen und Einstellungen über die HIKMICRO Sight App vornehmen, nachdem es über einen Hotspot Ihrem Smartphone verbunden wurde. Suchen Sie HIKMICRO Sight im App Store (iOS-System) oder bei Google Play™ (Android-System) oder scannen Sie den QR-Code, um die App herunterzuladen und zu installieren.



Android



iOS

Die für dieses Gerät geltenden Frequenzbänder, Betriebsarten und Nenngrenzwerte der Sendeleistung (abgestrahlt und/oder geleitet) lauten wie folgt:

WLAN 2,4 GHz (2,4 GHz bis 2,4835 GHz)	20 dBm
---------------------------------------	--------

2. Aufbau

Es gibt zwei Arten von Wärmebild-Zielfernföhren. Bitte nehmen Sie das tatsächliche Produkt als Referenz. Die Tasten, Komponenten und Schnittstellen der beiden Arten von Wärmebild-Zielfernföhren sind gleich.

Komponenten und Schnittstellen (Seite 1 – A)

Nr.	Komponente	Funktion
1	Ein/Aus	<ul style="list-style-type: none"> ● Drücken: Standby-Modus/Gerät aufwecken ● Gedrückt halten: Ein- und ausschalten
2	Mess-Taste	<ul style="list-style-type: none"> ● Drücken: Misst die Entfernung mit dem Laser ● Gedrückt halten: Aufnahme
3	Rad	<ul style="list-style-type: none"> ● Drücken: Paletten umschalten ● Gedrückt halten: Menü bedienen ● Drehen: Digitalzoom umschalten
4	Objektivdeckel	Schützt das Objektiv.
5	Fokusring	Hier stellen Sie die Schärfe ein.
6	Laser-Entfernungsmesser	Misst die Entfernung mit dem Laser.
7	Batteriefach	Hier werden die Akkus bzw. Batterien eingesetzt.
8	Befestigungsring	Hier wird das Okular befestigt.
9	Okular	Ziel betrachten.
10	Datenanschluss	Hier schließen Sie das Ausgangskabel an.

Tastenkombination

Nr.	Kombination	Funktion
2 + 3	Mess-Taste + Rad	Zum Starten oder Stoppen der Aufnahme gleichzeitig drücken.

1 + 2 + 3	Ein/Aus-Taste + Mess-Taste + Rad	Zum Aufrufen des verborgenen Menüs gleichzeitig drücken.
-----------	-------------------------------------	---

3. Batterie einlegen (Seite 3 – B)

Schritte

1. Drehen Sie den Akkufachdeckel gegen den Uhrzeigersinn, um ihn zu lösen.
 2. Setzen Sie den Akku in das Akkufach mit dem Pluspol nach innen zeigend ein.
 3. Drehen Sie den Akkufachdeckel im Uhrzeigersinn, um ihn zu fixieren.
- Hinweis:** Wenn das Gerät längere Zeit nicht benutzt wird, entfernen Sie die Akkus.

4. Schiene installieren (Seite 4 – C)

Schritte

1. Installieren Sie das Gerät auf die Schiene gemäß den schwarzen Pfeilen.
2. Schrauben einlegen und anziehen.
3. Stellen Sie die Hebel fest, um das Gerät zu sichern.

Hinweis:

- Schalten Sie das Gerät zunächst aus.
- Verwenden Sie ein fusenfreies Tuch, um den Gerätefuß und die Schiene zu reinigen.

5. Gerät verbinden (Seite 5 – E)

Schritte

1. Schalten Sie das Gerät ein und stellen Sie sicher, dass die Hotspot-Funktion deaktiviert ist.
2. Heben Sie die Abdeckung des Datenanschlusses an.
3. Verbinden Sie Gerät und Netzadapter über ein USB-Type-C-Kabel, um das Gerät mit Strom zu versorgen. Alternativ können Sie das Gerät mit einem PC verbinden, um Dateien zu exportieren.

Bedienungsanleitung



Rechtliche Informationen

©2022 Hangzhou Microimage Software Co., Ltd. Alle Rechte vorbehalten.

Hinweise zu dieser Bedienungsanleitung

Die Bedienungsanleitung enthält Anleitungen zur Verwendung und Verwaltung des Produkts. Bilder, Diagramme, Abbildungen und alle sonstigen Informationen dienen nur der Beschreibung und Erklärung. Die Änderung der in der Bedienungsanleitung enthaltenen Informationen ist aufgrund von Firmware-Aktualisierungen oder aus anderen Gründen vorbehalten. Die neueste Version dieses Handbuchs finden Sie auf der HIKMICRO-Website (www.hikmicrotech.com/).

Bitte verwenden Sie diese Bedienungsanleitung unter Anleitung und Unterstützung von Fachleuten, die für den Support des Produkts geschult sind.

Marken

 **HIKMICRO** und andere Marken und Logos von HIKMICRO sind Eigentum von HIKMICRO in verschiedenen Gerichtsbarkeiten.

Andere hier erwähnte Marken und Logos sind Eigentum ihrer jeweiligen Inhaber.

HAFTUNGSAUSSCHLUSS

DIESE BEDIENUNGSANLEITUNG UND DAS BESCHRIEBENE PRODUKT MIT SEINER HARDWARE, SOFTWARE UND FIRMWARE WERDEN, SOWEIT GESETZLICH ZULÄSSIG, IN DER „VORLIEGENDEN FORM“ UND MIT „ALLEN FEHLERN UND IRRTÜMERN“ BEREITGESTELLT. HIKMICRO GIBT KEINE GARANTIE, WEDER AUSDRÜCKLICH NOCH STILLSCHWEIGEND, EINSCHLIEßLICH, ABER NICHT DARAUF BESCHRÄNKT, MARKTGÄNGIGKEIT, ZUFRIEDENSTELLENDEN QUALITÄT ODER EIGNUNG FÜR EINEN BESTIMMTEN ZWECK. DIE NUTZUNG DES PRODUKTS DURCH SIE ERFOLGT AUF IHRE EIGENE GEFAHR. IN KEINEM FALL IST HIKMICRO IHNEN GEGENÜBER HAFTBAR FÜR BESONDERE, ZUFÄLLIGE, DIREKTE ODER INDIREKTE SCHÄDEN, EINSCHLIEßLICH, JEDOCH NICHT DARAUF BESCHRÄNKT, VERLUST VON GESCHÄFTSGEWINNEN, GESCHÄFTSUNTERBRECHUNG, DATENVERLUST, SYSTEMBESCHÄDIGUNG, VERLUST VON DOKUMENTATIONEN, SEI ES AUFGRUND VON VERTRAGSBRUCH, UNERLAUBTER HANDLUNG (EINSCHLIEßLICH FAHRLÄSSIGKEIT), PRODUKTHAFTUNG ODER ANDERWEITIG, IN

VERBINDUNG MIT DER VERWENDUNG DIESES PRODUKTS, SELBST WENN HIKMICRO ÜBER DIE MÖGLICHKEIT DERARTIGER SCHÄDEN ODER VERLUSTE INFORMIERT WAR.

SIE ERKENNEN AN, DASS DIE NATUR DES INTERNETS DAMIT VERBUNDENE SICHERHEITSRISIKEN BEINHALTET. HIKMICRO ÜBERNIMMT KEINE VERANTWORTUNG FÜR ANORMALEN BETRIEB, DATENVERLUST ODER ANDERE SCHÄDEN, DIE SICH AUS CYBERANGRIFFEN, HACKERANGRIFFEN, VIRUSINFEKTION ODER ANDEREN SICHERHEITSRISIKEN IM INTERNET ERGEBEN. HIKMICRO WIRD JEDOCH BEI BEDARF ZEITNAH TECHNISCHEN SUPPORT LEISTEN.

SIE STIMMEN ZU, DIESES PRODUKT IN ÜBEREINSTIMMUNG MIT ALLEN GELTENDEN GESETZEN ZU VERWENDEN, UND SIE SIND ALLEIN DAFÜR VERANTWORTLICH, DASS IHRE VERWENDUNG GEGEN KEINE GELTENDEN GESETZE VERSTÖßT. INSBESONDERE SIND SIE DAFÜR VERANTWORTLICH, DIESES PRODUKT SO ZU VERWENDEN, DASS DIE RECHTE DRITTER NICHT VERLETZT WERDEN, EINSCHLIEßLICH, ABER NICHT BESCHRÄNKT AUF VERÖFFENTLICHUNGSRECHTE, DIE RECHTE AN GEISTIGEM EIGENTUM ODER DEN DATENSCHUTZ UND ANDERE PERSÖNLICHKEITSRECHTE. Dieses Produkt darf nicht für die illegale Jagd auf Tiere, die Verletzung der Privatsphäre oder für einen anderen Zweck verwendet werden, der illegal oder dem öffentlichen Interesse abträglich ist. SIE DÜRFEN DIESES PRODUKT NICHT FÜR VERBOTENE ENDANWENDUNGEN VERWENDEN, EINSCHLIEßLICH DER ENTWICKLUNG ODER HERSTELLUNG VON MASSENVERNICHTUNGSWAFFEN, DER ENTWICKLUNG ODER HERSTELLUNG CHEMISCHER ODER BIOLOGISCHER WAFFEN, JEDLICHER AKTIVITÄTEN IM ZUSAMMENHANG MIT EINEM NUKLEAREN SPRENGKÖRPER ODER UNSICHEREN NUKLEAREN BRENNSTOFFKREISLAUF BZW. ZUR UNTERSTÜTZUNG VON MENSCHENRECHTSVERLETZUNGEN. IM FALL VON WIDERSPRÜCHEN ZWISCHEN DIESER BEDIENUNGSANLEITUNG UND GELTENDEM RECHT IST LETZTERES MASSGEBLICH.

Behördliche Informationen

EU-Konformitätserklärung



Dieses Produkt und – falls zutreffend – auch das mitgelieferte Zubehör sind mit dem „CE“-Zeichen gekennzeichnet und entsprechen somit den gültigen harmonisierten Europäischen Normen, die in den Richtlinien 2014/53/EU (RED), 2014/30/EU (EMCD), 2014/35/EU (LVD) und 2011/65/ EU (RoHS) aufgeführt sind.



Richtlinie 2012/19/EU (WEEE-Richtlinie): Produkte, die mit diesem Symbol gekennzeichnet sind, dürfen innerhalb der Europäischen Union nicht mit dem Hausmüll entsorgt werden. Für korrektes Recycling geben Sie dieses Produkt an Ihren örtlichen Fachhändler zurück oder entsorgen Sie es an einer der Sammelstellen. Weitere Informationen finden Sie unter: www.recyclethis.info.



Richtlinie 2006/66/EC und ihre Änderung 2013/56/EU (Batterierichtlinie): Dieses Produkt enthält eine Batterie, die innerhalb der Europäischen Union nicht mit dem Hausmüll entsorgt werden darf. Siehe Produktdokumentation für spezifische Hinweise zu Batterien. Die Batterie ist mit diesem Symbol gekennzeichnet, das zusätzlich die Buchstaben Cd für Cadmium, Pb für Blei oder Hg für Quecksilber enthalten kann. Für korrektes Recycling geben Sie die Batterie an Ihren örtlichen Fachhändler zurück oder entsorgen Sie sie an einer der Sammelstellen. Weitere Informationen finden Sie unter: www.recyclethis.info.

Sicherheitshinweis

Diese Anleitungen sollen gewährleisten, dass Sie das Produkt korrekt verwenden, um Gefahren oder Sachschäden zu vermeiden.

Gesetze und Vorschriften

- Die Verwendung des Produkts muss in strikter Übereinstimmung mit den örtlichen Vorschriften zur elektrischen Sicherheit erfolgen.

Transportwesen

- Bewahren Sie das Gerät beim Transport in der ursprünglichen oder einer vergleichbaren Verpackung auf.
- Bewahren Sie das gesamte Verpackungsmaterial nach dem Auspacken für zukünftigen Gebrauch auf. Im Falle eines Fehlers müssen Sie das Gerät in der Originalverpackung an das Werk zurücksenden.
- Beim Transport ohne Originalverpackung kann das Gerät beschädigt werden und wir übernehmen keine Verantwortung.
- Lassen Sie das Produkt nicht fallen und vermeiden Sie heftige Stöße. Halten Sie das Gerät von magnetischen Störungen fern.

Spannungsversorgung

- Bitte erwerben Sie das Netzteil selbst. Die Eingangsspannung muss einer Stromquelle mit begrenzter Leistung (5 V DC, 2 A) gemäß der Norm IEC61010-1 entsprechen. Siehe technische Daten für detaillierte Informationen.

- Verwenden Sie das von einem qualifizierten Hersteller mitgelieferte Netzteil. Detaillierte Anforderungen an die Stromversorgung finden Sie in der Produktspezifikation.
- Das Akkuladegerät ist im Lieferumfang enthalten. Die Eingangsspannung für das mitgelieferte Akkuladegerät muss einer Stromquelle mit begrenzter Leistung (5 V DC, 2 A) entsprechen.
- Stellen Sie sicher, dass der Stecker richtig in der Steckdose steckt.
- Verbinden Sie NICHT mehrere Geräte mit einem Netzteil, da es andernfalls durch Überlastung zu einer Überhitzung oder einem Brand kommen kann.
- Die Stromquelle muss die Anforderungen an eine Stromquelle mit begrenzter Leistung oder PS2 gemäß der Norm IEC 60950-1 oder IEC 62368-1 erfüllen.

Batterie

- Wenn der Akku unsachgemäß verwendet oder ausgetauscht wird, besteht möglicherweise Explosionsgefahr. Tauschen Sie stets gegen den gleichen oder äquivalenten Typ aus.
- Verwenden Sie nur einen von einem qualifizierten Hersteller gelieferten Akku. Detaillierte Angaben zu den Batterie-/Akku-Anforderungen finden Sie in der Produktspezifikation.
- Der Akkutyp ist 18650 mit der Schutzplatine, und die Batteriegröße sollte 19 mm × 70 mm betragen. Die Nennspannung und -kapazität beträgt 3,6 V DC/3,35 Ah (12,06 Wh). Entsorgen Sie verbrauchte Akkus entsprechend den Anweisungen des Akkuherstellers.
- Achten Sie darauf, dass die Akkutemperatur beim Aufladen zwischen 0 °C und 45 °C liegt.
- Achten Sie bei langfristiger Lagerung des Akkus darauf, dass er alle sechs Monate vollständig geladen wird, um seine Lebensdauer zu gewährleisten. Anderenfalls kann es zu Schäden kommen.
- Laden Sie keine anderen Akkutypen mit dem mitgelieferten Ladegerät auf. Stellen Sie sicher, dass sich während des Ladevorgangs im Umkreis von 2 m um das Ladegerät kein brennbares Material befindet.
- Lagern Sie den Akku NICHT in unmittelbarer Nähe einer Wärme- oder Feuerquelle. Keinem direkten Sonnenlicht aussetzen.
- Bewahren Sie den Akku NICHT in der Reichweite von Kindern auf.
- Der Akku darf nicht direkt mit einer externen Stromquelle aufgeladen werden.
- Das Gerät kann nicht aufgeladen werden. Bitte verwenden Sie das mitgelieferte Netzteil zum Aufladen des Akkus.

Wartung

- Falls das Produkt nicht einwandfrei funktionieren sollte, wenden Sie

sich an Ihren Händler oder den nächstgelegenen Kundendienst. Wir übernehmen keine Haftung für Probleme, die durch nicht Reparatur- oder Instandhaltungsarbeiten von nicht autorisierten Dritten verursacht werden.

- Wischen Sie das Gerät bei Bedarf sanft mit einem sauberen Tuch und einer geringen Menge Ethanol ab.
- Wenn das Gerät nicht vom Hersteller vorgegebenem Sinne genutzt wird, kann der durch das Gerät bereitgestellte Schutz beeinträchtigt werden.

Einsatzumgebung

- Achten Sie darauf, dass die Betriebsumgebung den Anforderungen des Geräts entspricht. Die Betriebstemperatur muss zwischen -30 °C und +55 °C und die Luftfeuchtigkeit zwischen 5 % und 95 % liegen.
- Stellen Sie das Gerät an einem kühlen und gut belüfteten Ort auf.
- Setzen Sie das Gerät KEINER hohen elektromagnetischen Strahlung oder staubigen Umgebungen aus.
- Richten Sie das Objektiv NICHT auf die Sonne oder eine andere helle Lichtquelle.
- Achten Sie bei Verwendung eines Lasergeräts darauf, dass das Objektiv des Geräts nicht dem Laserstrahl ausgesetzt wird. Andernfalls könnte es durchbrennen.

Notruf

- Sollten sich Rauch, Gerüche oder Geräusche in dem Gerät entwickeln, so schalten Sie es unverzüglich aus und ziehen Sie den Netzstecker; wenden Sie sich dann an den Kundendienst.

Laser



Achten Sie bei Verwendung eines Lasergeräts darauf, dass das Objektiv des Geräts nicht dem Laserstrahl ausgesetzt wird. Andernfalls könnte es durchbrennen. Die vom Gerät abgegebene Laserstrahlung kann zu Augenverletzungen, Hautverbrennungen oder der Entzündung brennbarer Substanzen führen. Bevor Sie die Funktion Zusatzlicht aktivieren, vergewissern Sie sich, dass sich weder Personen noch brennbare Substanzen vor der Laserlinse befinden. Stellen Sie das Gerät nicht so auf, dass es von Kindern erreicht werden kann.

Anschrift des Herstellers

Raum 313, Einheit B, Gebäude 2, 399 Danfeng-Straße, Gemarkung Xixing, Stadtbezirk Binjiang, Hangzhou, Zhejiang 310052, China
Hangzhou Microimage Software Co., Ltd.

RECHTLICHER HINWEIS: Die Produkte der Wärmebild-Serie unterliegen unter Umständen in verschiedenen Ländern oder Regionen Exportkontrollen, wie zum Beispiel in den Vereinigten Staaten, der Europäischen Union, dem Vereinigten Königreich und/oder anderen Mitgliedsländern des Wassenaar-Abkommens. Bitte wenden Sie sich an Ihren professionellen Rechts- oder Compliance-Experten oder an die zuständigen Behörden, wenn Sie beabsichtigen, Produkte der Wärmebild-Serie zwischen verschiedenen Ländern zu transferieren, zu exportieren oder zu reexportieren, um Informationen über eine eventuell erforderliche Ausfuhrgenehmigung zu erhalten.

Français

1. Brève description

Le monoculaire à imagerie thermique est équipé d'un détecteur à infrarouges à haute sensibilité. Sa technologie d'imagerie thermique avancée permet de voir clair en cas de mauvaise visibilité ou dans un environnement sombre. Il aide à visualiser une cible tout en mesurant sa distance. Il aide à visualiser une cible tout en mesurant sa distance. L'appareil peut être largement utilisé pour les activités de recherche et de secours, la chasse, etc.

Il est capable de prendre des instantanés et d'enregistrer des vidéos et ses paramètres peuvent être réglés par le biais de l'application HIKMICRO Sight une fois qu'il a été connecté à votre téléphone en utilisant le point d'accès. Recherchez l'application HIKMICRO Sight dans l'App Store (système iOS) ou Google Play™ (système Android) pour la télécharger, ou scannez le code QR pour la télécharger et l'installer.



Système Android



Système iOS

Les bandes de fréquence, les modes et les limites nominales de la puissance transmise (rayonnée ou par conduction) applicables à ce

dispositif radio sont les suivantes :

Wi-Fi 2,4 GHz (2,4 GHz à 2,4835 GHz)	20 dBm
--------------------------------------	--------

2. Apparence

Il existe deux types de monoculaires à imagerie thermique. Veuillez vous référer au produit réel. Les boutons, les composants et l'interface des deux types de monoculaire à imagerie thermique sont identiques.

Composants et interface (page 1 — A)

N°	Composant	Fonction
1	Touche Alimentation	<ul style="list-style-type: none"> ● Appuyer une fois pour mettre l'appareil en veille ou le réactiver ● Appuyer longuement pour allumer/éteindre
2	Touche Mesurer	<ul style="list-style-type: none"> ● Appuyez pour mesurer la distance à l'aide du laser ● Maintenez enfoncé pour capturer
3	Molette	<ul style="list-style-type: none"> ● Appuyer brièvement pour changer de palette. ● Appuyer longuement pour accéder au menu. ● Tourner pour modifier le zoom numérique.
4	Cache d'objectif	Protège l'objectif.
5	Bague de mise au point	Tournez la bague pour régler la mise au point.
6	Télémètre laser	Mesure de la distance par laser.
7	Compartiment de la batterie	Réservé à l'installation des piles.
8	Bague de fixation	Permet de fixer l'oculaire.
9	Oculaire de visée	Visionner la cible.
10	Interface d'échange de données	Permet la connexion à l'aide d'un câble de sortie.

Combinaison de boutons

N°	Combinaison	Fonction
2 + 3	Touche Mesurer + Molette	Appuyez en même temps pour démarrer ou arrêter l'enregistrement.
1 + 2 + 3	Touche d'alimentation + Touche Mesurer + Molette	Appuyez en même temps pour accéder au menu caché.

3. Installation de la pile (page 3 - B)

Procédures

1. Tournez le couvercle du compartiment à pile dans le sens antihoraire pour le desserrer.
2. Insérez la pile dans le compartiment en veillant à insérer le pôle positif en premier.
3. Tournez le couvercle du compartiment à pile dans le sens horaire pour le serrer.

Remarque : retirez la batterie si vous ne prévoyez pas d'utiliser l'appareil avant longtemps.

4. Installation sur le rail (page 4 - C)

Procédures

1. Installez l'appareil sur le rail comme indiqué par la flèche noire.
2. Insérez les vis et serrez-les.
3. Serrez les leviers pour fixer l'appareil.

Remarque :

- Mettez d'abord l'appareil hors tension.
- Utilisez un chiffon exempt de poussière pour nettoyer la base de l'appareil et le rail.

5. Connexion à l'appareil (page 5 - E)

Procédures

1. Allumez l'appareil et assurez-vous que la fonction de point d'accès est désactivée.
2. Soulevez le cache de l'interface d'échange de données.
3. Pour mettre l'appareil sous tension, connectez un câble de type C entre

l'appareil et l'adaptateur d'alimentation. Par contre, si vous souhaitez exporter des fichiers, connectez un tel câble entre l'appareil et l'ordinateur.

Manuel d'utilisation



Informations légales

©2022 Hangzhou Microimage Software Co., Ltd. Tous droits réservés.


À propos de ce manuel

Ce manuel fournit des instructions d'utilisation et de gestion du produit.

Les images, les tableaux, les figures et toutes les autres informations ci-après ne sont donnés qu'à titre de description et d'explication. Les informations contenues dans ce manuel sont modifiables sans préavis, en raison d'une mise à jour d'un micrologiciel ou pour d'autres raisons. Veuillez trouver la dernière version de ce manuel sur le site Internet de HIKMICRO (www.hikmicrotech.com).

Veuillez utiliser ce mode d'emploi avec les conseils et l'assistance de professionnels spécialement formés dans la prise en charge de ce produit.

Reconnaissance des marques de commerce

 HIKMICRO et les autres marques commerciales et logos de HIKMICRO sont la propriété de HIKMICRO dans diverses juridictions.

Toutes les autres marques et tous les logos mentionnés appartiennent à leurs propriétaires respectifs.

MENTIONS LÉGALES

DANS LES LIMITES AUTORISÉES PAR LA LOI EN VIGUEUR, LE PRÉSENT MANUEL ET LE PRODUIT DÉCRIT, AINSI QUE SON MATÉRIEL, SES LOGICIELS ET SES MICROLOGICIELS, SONT FOURNIS « EN L'ÉTAT » ET « AVEC CES FAIBLESSES ET ERREURS ». HIKMICRO NE FAIT AUCUNE GARANTIE, EXPLICITE OU IMPLICITE, Y COMPRIS, MAIS SANS S'Y LIMITER, DE QUALITÉ MARCHANDE, DE QUALITÉ SATISFAISANTE, OU D'ADÉQUATION À UN USAGE PARTICULIER. VOUS UTILISEZ LE PRODUIT À VOS PROPRES RISQUES. EN AUCUN CAS, HIKMICRO NE SERA TENU RESPONSABLE DE TOUT DOMMAGE SPÉCIAL, CONSÉCUTIF, ACCESSOIRE OU INDIRECT, Y COMPRIS, ENTRE AUTRES, LES DOMMAGES RELATIFS À LA PERTE DE PROFITS D'ENTREPRISE, À L'INTERRUPTION D'ACTIVITÉS COMMERCIALES, OU LA PERTE DES DONNÉES, LA CORRUPTION DES

SYSTEMES, OU LA PERTE DES DOCUMENTS, S'ILS SONT BASÉS SUR UNE VIOLATION DE CONTRAT, UNE FAUTE (Y COMPRIS LA NÉGLIGENCE), LA RESPONSABILITÉ EN MATIÈRE DE PRODUITS, OU AUTRE, EN RAPPORT AVEC L'UTILISATION DU PRODUIT, MÊME SI HIKMICRO A ÉTÉ INFORMÉ DE LA POSSIBILITÉ D'UN TEL DOMMAGE OU D'UNE TELLE PERTE.

VOUS RECONNAISSEZ QUE LA NATURE D'INTERNET EST SOURCE DE RISQUES DE SÉCURITÉ INHÉRENTS, ET HIKMICRO SE DÉGAGE DE TOUTE RESPONSABILITÉ EN CAS DE FONCTIONNEMENT ANORMAL, DIVULGATION D'INFORMATIONS CONFIDENTIELLES OU AUTRES DOMMAGES DÉCOULANT D'UNE CYBERATTAQUE, D'UN PIRATAGE INFORMATIQUE, D'UNE INFECTION PAR DES VIRUS, OU AUTRES RISQUES DE SÉCURITÉ LIÉS À INTERNET ; TOUTEFOIS, HIKMICRO FOURNIRA UNE ASSISTANCE TECHNIQUE DANS LES DÉLAIS SI NÉCESSAIRE.

VOUS ACCEPTEZ D'UTILISER CE PRODUIT CONFORMÉMENT À L'ENSEMBLE DES LOIS EN VIGUEUR. IL EST DE VOTRE RESPONSABILITÉ EXCLUSIVE DE VEILLER À CE QUE VOTRE UTILISATION SOIT CONFORME À LA LOI APPLICABLE. IL VOUS APPARTIENT SURTOUT D'UTILISER CE PRODUIT D'UNE MANIÈRE QUI NE PORTE PAS ATTEINTE AUX DROITS DE TIERS, Y COMPRIS, MAIS SANS S'Y LIMITER, LES DROITS DE PUBLICITÉ, LES DROITS DE PROPRIÉTÉ INTELLECTUELLE, OU LA PROTECTION DES DONNÉES ET D'AUTRES DROITS À LA VIE PRIVÉE. Vous ne devez pas utiliser ce produit pour la chasse illégale d'animaux, la violation de la vie privée ou pour toute autre fin jugée illégale ou préjudiciable à l'intérêt public. VOUS NE DEVEZ PAS UTILISER CE PRODUIT POUR TOUTE UTILISATION FINALE INTERDITE, NOTAMMENT LA MISE AU POINT OU LA PRODUCTION D'ARMES DE DESTRUCTION MASSIVE, LA MISE AU POINT OU LA FABRICATION D'ARMES CHIMIQUES OU BIOLOGIQUES, LES ACTIVITÉS DANS LE CONTEXTE LIÉ AUX EXPLOSIFS NUCLÉAIRES OU AU CYCLE DU COMBUSTIBLE NUCLÉAIRE DANGEREUX, OU SOUTENANT LES VIOLATIONS DES DROITS DE L'HOMME.

EN CAS DE CONFLIT ENTRE CE MANUEL ET LES LOIS EN VIGUEUR, CES DERNIÈRES PRÉVALENT.

Réglementation

Déclaration de conformité UE



Ce produit et, le cas échéant, les accessoires qui l'accompagnent, sont estampillés « CE » et sont donc conformes aux normes européennes harmonisées en vigueur répertoriées sous la Directive 2014/53/UE (RED), la Directive 2014/30/UE (EMCD), la Directive 2014/35/UE (LVD) et la Directive 2011/65/UE (RoHS).



Directive 2012/19/UE (directive DEEE) : Dans l'Union européenne, les produits portant ce pictogramme ne doivent pas être déposés dans une déchèterie municipale où le tri des déchets n'est pas pratiqué. Pour un recyclage adéquat, remettez ce produit à votre revendeur lors de l'achat d'un nouvel équipement équivalent, ou déposez-le dans un lieu de collecte prévu à cet effet. Pour de plus amples informations, visitez le site Web : www.recyclethis.info



Directive 2006/66/CE et son amendement 2013/56/UE (directive sur les batteries) : Ce produit renferme une batterie qui ne doit pas être déposée dans une déchèterie municipale où le tri des déchets n'est pas pratiqué, dans l'Union européenne. Pour plus de précisions sur la batterie, reportez-vous à sa documentation. La batterie porte le pictogramme ci-contre, qui peut inclure la mention Cd (cadmium), Pb (plomb) ou Hg (mercure). Pour la recycler correctement, renvoyez la batterie à votre revendeur ou déposez-la dans un point de collecte prévu à cet effet. Pour de plus amples informations, consultez : www.recyclethis.info.

Consignes de sécurité

L'objectif de ces instructions est de garantir que l'utilisateur soit en mesure d'utiliser correctement le produit sans danger ou dommage aux biens.

Lois et réglementations

- L'appareil doit être strictement utilisé conformément à la réglementation locale en matière de sécurité électrique.

Transport

- Gardez l'appareil dans son emballage d'origine ou dans un emballage similaire lors de son transport.
- Veuillez conserver l'emballage de l'appareil pour toute utilisation ultérieure. En cas de panne, vous devrez renvoyer l'appareil à l'usine dans son emballage d'origine.
- Le transport de l'appareil sans son emballage d'origine peut l'endommager, et l'entreprise se dégage de toute responsabilité dans ce cas.
- Ne pas faire tomber le produit ou le soumettre à un choc physique. Éloigner l'appareil d'interférences magnétiques.

Alimentation électrique

- Veuillez acheter vous-même l'adaptateur. La tension d'entrée doit être conforme à celle d'une source d'alimentation limitée (5 V CC, 2 A) selon la norme IEC61010-1. Veuillez vous référer aux caractéristiques techniques pour des informations détaillées.
- Utilisez l'adaptateur d'alimentation fourni par un fabricant qualifié. Reportez-vous aux spécifications du produit pour les dispositions nécessaires et détaillées en matière d'alimentation.
- Le chargeur de batterie est inclus dans l'emballage. La tension d'entrée du chargeur de batterie fourni est conforme à la norme en matière de source d'alimentation limitée (5 V CC, 2 A).
- Vérifiez que la prise est correctement branchée à la prise électrique.
- Pour éviter tout risque de surchauffe ou d'incendie dû à une surcharge, ne reliez PAS plusieurs appareils à un seul adaptateur d'alimentation.
- La source d'alimentation doit répondre aux exigences PS2 ou relatives à une source d'alimentation limitée conformément à la norme CEI 60950-1 ou CEI 62368-1.

Pile

- Une mauvaise utilisation ou une batterie mal remplacée peut entraîner un risque d'explosion. Remplacez-la uniquement par une batterie identique ou de type équivalent.
- Utilisez une pile fournie par un fabricant qualifié. Reportez-vous aux spécifications du produit pour les détails concernant la batterie.
- La pile est de type 18650 avec carte de protection et sa taille doit être de 19 mm x 70 mm. La tension nominale et la capacité sont de 3,6 V CC/3,35 Ah (12,06 Wh). Éliminez les batteries usées conformément aux instructions fournies par leur fabricant.
- Assurez-vous que la température de la pile est comprise entre 0 °C et 45 °C lors de la charge.
- En cas de stockage à long terme de la batterie, assurez-vous qu'elle est complètement chargée tous les six mois afin d'en conserver la qualité. Dans le cas contraire, elle pourrait se détériorer.
- Ne chargez pas d'autres types de batteries avec le chargeur fourni. Pendant la recharge des piles, vérifiez qu'il n'y a aucun matériau inflammable à moins de 2 m du chargeur.
- NE placez PAS la batterie à proximité d'une source de chaleur ou de feu. Ne l'exposez pas à la lumière directe du soleil.
- NE laissez PAS la batterie à portée des enfants.
- Vous ne pouvez pas charger directement la batterie avec une source d'alimentation externe.
- L'appareil ne se rechargera pas. Veuillez utiliser le chargeur fourni pour charger la batterie.

Maintenance

- Si le produit ne fonctionne pas correctement, contactez votre revendeur ou le centre de service le plus proche. Nous n'assumerons aucune responsabilité concernant les problèmes causés par une réparation ou une opération de maintenance non autorisée.
- Essuyez délicatement l'appareil à l'aide d'un chiffon propre imbibé d'une petite quantité d'éthanol, si nécessaire.
- Si l'appareil n'est pas utilisé conformément aux indications du fabricant, le dispositif de protection fourni par l'appareil peut être compromis.

Environnement d'exploitation

- Assurez-vous que l'environnement d'exploitation répond aux exigences de l'appareil. La température de fonctionnement doit être comprise entre -30 °C et 55 °C pour une humidité comprise entre 5 % et 95 %.
- Placez l'appareil dans un endroit sec et bien aéré.
- N'exposez PAS l'appareil à de puissants rayonnements électromagnétiques ou à des environnements poussiéreux.
- N'orientez PAS l'objectif vers le soleil ou toute autre source de lumière vive.
- Pendant l'utilisation de tout équipement générant un laser, veillez à ce que l'objectif de l'appareil ne soit pas exposé au faisceau laser, car il pourrait brûler.

Urgence

- Si de la fumée, des odeurs ou du bruit s'échappent de l'appareil, mettez immédiatement l'appareil hors tension et débranchez le câble d'alimentation, puis contactez un centre de réparation.

Laser



Pendant l'utilisation de tout équipement générant un laser, veillez à ce que l'objectif de l'appareil ne soit pas exposé au faisceau laser, car il pourrait brûler. Le rayonnement laser émis par l'appareil peut provoquer des blessures aux yeux, des brûlures de la peau ou générer des substances inflammables. Avant d'activer la fonction de complément de lumière, assurez-vous qu'aucune personne ni aucune substance inflammable ne se trouvent devant l'objectif du laser. Ne placez pas l'appareil à un endroit où des personnes mineures peuvent y accéder.

Adresse de fabrication

Logement 313, Unité B, Bâtiment 2, 399 Danfeng Road, Sous-district de

Xixing, District de Binjiang, Hangzhou, Zhejiang 310052, Chine
Hangzhou Microimage Software Co., Ltd.

AVIS DE CONFORMITÉ : Il est possible que les produits de la série thermique soient soumis à des contrôles d'exportation dans divers pays ou diverses régions, ce qui inclut, sans s'y limiter, les États-Unis, l'Union européenne, le Royaume-Uni ou d'autres pays membres de l'Arrangement de Wassenaar. Veuillez consulter votre expert professionnel en questions juridiques ou en conformité ou les autorités de votre gouvernement local pour toute exigence de permis d'exportation si vous prévoyez de transférer, d'exporter ou de réexporter des produits de la série thermique entre différents pays.

Español

1. Descripción breve

La mira telescópica térmica está equipada con un detector IR de alta sensibilidad, y funciona con una avanzada tecnología de imagen térmica para obtener una visión clara en entornos con poca visibilidad o en la oscuridad. Ayuda a ver el blanco y a medir la distancia. Ayuda a ver el blanco y a medir la distancia. El dispositivo tiene un uso amplio en operaciones de búsqueda y rescate, caza, etc.

El dispositivo puede tomar instantáneas, grabar vídeos y configurar parámetros mediante la aplicación HIKMICRO Sight una vez conectado a su teléfono por medio de un punto de acceso. Busque la aplicación HIKMICRO Sight en App Store (dispositivos iOS) o en Google Play™ (dispositivos Android) para descargarla. Alternativamente, puede escanear el código QR para descargarla e instalarla.



Sistema Android



Sistema iOS

Las bandas de frecuencia y los modos, así como los límites nominales de la potencia transmitida (radiada o conducida) aplicables a este dispositivo de radio se indican a continuación:

Wi-Fi a 2,4 GHz (de 2,4 GHz a 2,4835 GHz)

20 dBm

2. Apariencia

Existen dos tipos de miras de imagen térmica. Seleccione el tipo del producto real como referencia. Los botones, componentes e interfaces de las dos miras telescópicas térmicas, son idénticos.

Componentes e interfaz (Página 1 – A)

Núm.	Componente	Función
1	Botón de encendido	<ul style="list-style-type: none">● Pulsar: modo de espera/activar dispositivo● Mantener pulsado: encender/apagar
2	Tecla de medición	<ul style="list-style-type: none">● Pulsar: medir la distancia con el láser● Mantener pulsado: capturar
3	Rueda	<ul style="list-style-type: none">● Pulsar: cambiar de paletas● Mantener pulsado: usar el menú● Girar: cambiar al zoom digital
4	Tapa de la lente	Proteger la lente.
5	Anillo de enfoque	Ajusta la visión.
6	Telémetro láser	Medir la distancia con láser.
7	Compartimento de la batería	Instale la batería en él.
8	Anillo de sujeción	Fijar el ocular.
9	Ocular	Sirve para ver el objetivo.
10	Interfaz de intercambio de datos	Conexión con el cable de salida.

Combinación de botones

Núm.	Combinación	Función
2 + 3	Tecla de medición + Rueda	Pulsar al mismo tiempo para iniciar o detener la grabación.
1 + 2 + 3	Tecla de encendido + Tecla de medición + Rueda	Pulsar al mismo tiempo para acceder al menú oculto.

3. Instalación de las pilas (Página 3 – B)

Pasos

1. Gire la tapa de la batería en sentido antihorario para aflojarla.
2. Introduzca la batería dentro del compartimiento con el polo positivo hacia adentro.
3. Gire la tapa de la batería en sentido horario para apretarla.

Nota: Saque las pilas si no va a utilizar el dispositivo durante un periodo prolongado.

4. Instalación del raíl (Página 4 – C)

Pasos

1. Instale el dispositivo sobre el raíl como muestra la flecha negra.
2. Inserte y apriete los tornillos.
3. Apriete las palancas para asegurar el dispositivo.

Nota:

- Primero apague el dispositivo.
- Utilice un paño antipolvo para limpiar la base del dispositivo y la guía.

5. Conexión del dispositivo (Página 5 – E)

Pasos

1. Encienda el dispositivo y asegúrese de que la función de punto de acceso esté desactivada.
2. Levante la tapa del conector para intercambio de datos.
3. Para encender el dispositivo, conéctelo al adaptador de corriente usando un cable tipo C. Como alternativa, conecte el dispositivo y el PC para exportar archivos.

Manual de usuario



Información legal

©2022 Hangzhou Microimage Software Co., Ltd. Todos los derechos reservados.

Sobre este manual

Este manual incluye las instrucciones de utilización y gestión del producto. Las figuras, gráficos, imágenes y cualquier otra información que encontrará en lo sucesivo tienen únicamente fines descriptivos y aclaratorios. La información incluida en el manual está sujeta a cambios, sin aviso previo, debido a las actualizaciones de software u otros motivos. Visite el sitio web de HIKMICRO (www.hikmicrotech.com/) para encontrar la última versión de este manual.

Utilice este manual con la guía y asistencia de profesionales capacitados en el soporte del producto.

Reconocimiento de marcas comerciales

 HIKMICRO y otras marcas comerciales y logotipos de HIKMICRO son propiedad de HIKMICRO en diferentes jurisdicciones.

Las demás marcas comerciales y logotipos mencionados son propiedad de sus respectivos dueños.

AVISOS LEGALES

EN LA MEDIDA MÁXIMA PERMITIDA POR LAS LEYES APLICABLES, ESTE MANUAL Y EL PRODUCTO DESCRITO —INCLUIDOS SU HARDWARE, SOFTWARE Y FIRMWARE— SE SUMINISTRAN «TAL CUAL» Y «CON TODOS SU FALLOS Y ERRORES». HIKMICRO NO OFRECE GARANTÍAS, EXPLÍCITAS O IMPLÍCITAS, INCLUIDAS, A MODO MERAMENTE ENUNCIATIVO MAS NO LIMITATIVO, AQUELLAS DE COMERCIALIZACIÓN, CALIDAD SATISFACTORIA O IDONEIDAD PARA UN PROPÓSITO EN PARTICULAR. EL USO QUE HAGA DEL PRODUCTO CORRE BAJO SU ÚNICO RIESGO. EN NINGÚN CASO, HIKMICRO PODRÁ CONSIDERARSE RESPONSABLE ANTE USTED DE NINGÚN DAÑO ESPECIAL, CONSECUENTE, INCIDENTAL O INDIRECTO, INCLUYENDO, ENTRE OTROS, DAÑOS POR PÉRDIDAS DE BENEFICIOS COMERCIALES, INTERRUPCIÓN DE LA ACTIVIDAD COMERCIAL, PÉRDIDA DE DATOS, CORRUPCIÓN DE LOS SISTEMAS O PÉRDIDA DE DOCUMENTACIÓN, YA SEA POR INCUMPLIMIENTO DEL CONTRATO, AGRAVIO (INCLUYENDO NEGLIGENCIA), RESPONSABILIDAD DEL PRODUCTO O EN RELACIÓN CON EL USO DEL PRODUCTO, INCLUSO CUANDO HIKMICRO HAYA RECIBIDO UNA

NOTIFICACIÓN DE LA POSIBILIDAD DE DICHOS DAÑOS O PÉRDIDAS. USTED RECONOCE QUE LA NATURALEZA DE INTERNET IMPLICA RIESGOS DE SEGURIDAD INHERENTES Y QUE HIKMICRO NO TENDRÁ NINGUNA RESPONSABILIDAD POR NINGÚN FUNCIONAMIENTO ANORMAL, FILTRACIONES DE PRIVACIDAD U OTROS DAÑOS RESULTANTES DE ATAQUES CIBERNÉTICOS, ATAQUES DE PIRATAS INFORMÁTICOS, INFECCIONES DE VIRUS U OTROS RIESGOS DE SEGURIDAD PROPIOS DE INTERNET; NO OBSTANTE, HIKMICRO PROPORCIONARÁ EL APOYO TÉCNICO OPORTUNO DE SER NECESARIO.

USTED ACEPTA USAR ESTE PRODUCTO DE CONFORMIDAD CON TODAS LAS LEYES APLICABLES Y SOLO USTED ES EL ÚNICO RESPONSABLE DE ASEGURAR QUE EL USO CUMPLA CON DICHAS LEYES. EN ESPECIAL, USTED ES RESPONSABLE DE USAR ESTE PRODUCTO DE FORMA QUE NO INFRINJA LOS DERECHOS DE TERCEROS, INCLUYENDO, DE MANERA ENUNCIATIVA MAS NO LIMITATIVA, DERECHOS DE PUBLICIDAD, DERECHOS DE PROPIEDAD INTELECTUAL, DERECHOS RELATIVOS A LA PROTECCIÓN DE DATOS Y OTROS DERECHOS RELATIVOS A LA PRIVACIDAD. No usará este producto para la caza ilegal de animales, la invasión de la privacidad o cualquier otro propósito que sea ilegal o perjudicial para el interés público. NO UTILIZARÁ ESTE PRODUCTO PARA NINGÚN USO FINAL PROHIBIDO, INCLUYENDO EL DESARROLLO O LA PRODUCCIÓN DE ARMAS DE DESTRUCCIÓN MASIVA, EL DESARROLLO O PRODUCCIÓN DE ARMAS QUÍMICAS O BIOLÓGICAS, NINGUNA ACTIVIDAD EN EL CONTEXTO RELACIONADO CON ALGÚN EXPLOSIVO NUCLEAR O EL CICLO DE COMBUSTIBLE NUCLEAR INSEGURO O EN APOYO DE ABUSOS DE LOS DERECHOS HUMANOS.

EN CASO DE HABER CONFLICTO ENTRE ESTE MANUAL Y LA LEGISLACIÓN VIGENTE, ESTA ÚLTIMA PREVALECE.

Información normativa

Declaración de conformidad de la UE



Este producto, así como los accesorios suministrados (si procede), tienen el marcado «CE» y, por lo tanto, cumplen con las normativas europeas armonizadas aplicables que se enumeran en la Directiva 2014/53/UE (RED), la Directiva 2014/30/UE (EMCD), la Directiva 2014/35/UE (LVD) y la Directiva 2011/65/UE (RoHS).



Directiva 2012/19/UE (directiva RAEE): En la Unión Europea, los productos marcados con este símbolo no pueden ser desechados en el sistema de basura municipal sin recogida selectiva. Para un reciclaje adecuado, entregue este producto en el lugar de compra del equipo nuevo equivalente o



deshágase de él en el punto de recogida designado a tal efecto. Para más información visite: www.recyclethis.info. Directiva 2006/66/CE y su enmienda 2013/56/UE (directiva sobre baterías): Este producto lleva una batería que no puede ser desechada en el sistema municipal de basuras sin recogida selectiva dentro de la Unión Europea. Consulte la documentación del producto para ver la información específica de la batería. La batería lleva marcado este símbolo, que incluye unas letras indicando si contiene cadmio (Cd), plomo (Pb), o mercurio (Hg). Para un reciclaje adecuado, entregue la batería a su vendedor o llévela al punto de recogida de basuras designado a tal efecto. Para más información visite: www.recyclethis.info.

Instrucciones de seguridad

Estas instrucciones están destinadas a garantizar que el usuario pueda utilizar el producto correctamente para evitar peligros o pérdidas materiales.

Leyes y normativas

- El uso del producto ha de cumplir estrictamente con las normas de seguridad eléctrica locales.

Transporte

- Guarde el dispositivo en su paquete original o en uno similar cuando lo transporte.
- Guarde el embalaje para uso futuro. En el caso de que ocurra algún fallo, deberá devolver el dispositivo a la fábrica con el envoltorio original.
- En caso de transporte sin el envoltorio original podría resultar en daños en el dispositivo y la empresa no se hará responsable.
- No deje caer el producto ni lo someta a impactos físicos. Mantenga el dispositivo alejado de interferencias magnéticas.

Fuente de alimentación

- Compre el adaptador eléctrico por su cuenta. La tensión de entrada debe cumplir con el límite de la fuente de alimentación (5 VCC, 2 A) según el estándar IEC61010-1. Consulte las especificaciones técnicas para obtener información detallada.
- Utilice el adaptador eléctrico de un fabricante reconocido. Consulte las características del producto sobre especificaciones de alimentación de energía.
- El cargador de batería se incluye en el paquete. La tensión de entrada para el cargador de baterías suministrado debe cumplir con la

normativa para fuentes de alimentación limitada (5 VCC, 2 A).

- Asegúrese de que el enchufe esté correctamente conectado a la toma de corriente.
- NO conecte múltiples dispositivos a un mismo adaptador de corriente, para evitar el sobrecalentamiento y los riesgos de incendio por sobrecarga.
- La fuente de alimentación debe cumplir con los requisitos de fuente de alimentación limitada o PS2 conforme a las normas IEC 60950-1 o IEC 62368-1.

Batería

- El uso o sustitución inadecuados de la batería pueden ser un riesgo de explosión. Cámbiela únicamente por otra del mismo tipo o equivalente.
- Use una batería provista por un fabricante cualificado. Consulte las especificaciones técnicas del producto para conocer los requisitos detallados de la batería.
- La batería es del tipo 18650 con panel de protección, y su tamaño debe ser menor de 19 × 70 mm. La tensión nominal y la capacidad son 3,6 VCC/3,35 Ah (12,06 Wh). Deshágase de las baterías usadas conforme a las instrucciones proporcionadas por el fabricante de la batería.
- Asegúrese que de durante la carga, la temperatura de la batería está entre 0 °C y 45 °C.
- Para almacenar la batería durante un periodo prolongado, compruebe que esté completamente cargada cada medio año para garantizar la calidad de la misma. De lo contrario, podrían ocurrir daños.
- No cargue otros tipos de baterías con el cargador suministrado. Confirme que no haya material inflamable a menos de 2 m del cargador durante la carga.
- NO coloque la batería cerca de fuentes de calor o de fuego. Evite la luz directa del sol.
- NO deje la batería al alcance de los niños.
- La batería no se puede cargar directamente con la fuente de alimentación externa.
- El dispositivo no se puede cargar. Utilice el cargador suministrado para cargar la batería.

Mantenimiento

- Si el producto no funciona correctamente, por favor, póngase en contacto con su distribuidor o con el centro de servicio técnico más próximo. No nos haremos responsables de los problemas derivados de una reparación o mantenimiento no autorizados.
- Limpie suavemente el dispositivo con una gamuza limpia con una pequeña cantidad de etanol, si fuese necesario.

- Si se utiliza el equipo de una manera no especificada por el fabricante, la protección del dispositivo podría verse mermada.

Entorno de uso

- Compruebe que el entorno de uso se adapte a los requisitos del dispositivo. La temperatura de funcionamiento se debe encontrar entre los $-30\text{ }^{\circ}\text{C}$ y los $55\text{ }^{\circ}\text{C}$ y la humedad entre el 5 % y el 95 %.
- Coloque el dispositivo en un entorno seco y con buena ventilación.
- NO exponga el dispositivo a radiaciones electromagnéticas o entornos polvorientos.
- NO oriente la lente hacia el sol ni a otras luces brillantes.
- Cuando utilice equipos láser, asegúrese de que el objetivo del dispositivo no quede expuesto al rayo láser ya que podría quemarse.

Emergencia

- Si hay presencia de humo, olores o ruidos procedentes del dispositivo, apague la alimentación inmediatamente, desenchufe el cable de alimentación y contacte con el servicio técnico.

Láser



Cuando utilice equipos láser, asegúrese de que el objetivo del dispositivo no quede expuesto al rayo láser ya que podría quemarse. La radiación láser emitida por el dispositivo puede causar lesiones oculares, quemaduras cutáneas o inflamar sustancias. Antes de activar la función de luz suplementaria, compruebe que no haya personas ni sustancias inflamables frente al objetivo láser. No coloque el dispositivo al alcance de menores.

Dirección de fabricación

Habitación 313, Unidad B, Edificio 2, Carretera de Danfeng 399,
Subdistrito de Xixing, Distrito de Binjiang, Hangzhou, Zhejiang 310052,
China
Hangzhou Microimage Software Co., Ltd.

AVISO DE CONFORMIDAD: Los productos de las series térmicas podrían estar sujetos a controles de exportación en algunos países o regiones; entre ellos, por ejemplo, los Estados Unidos, la Unión Europea, el Reino Unido y/o otros países miembros del Arreglo de Wassenaar. Consulte con algún experto en cumplimiento normativo y legal o con las autoridades gubernamentales locales para cumplir con los requisitos de licencia de exportación necesarios si desea transferir, exportar o reexportar los productos de las series térmicas entre distintos países.

1. Breve descrição

A mira de visão térmica está equipada com um detetor de infravermelhos de alta sensibilidade e possui uma avançada tecnologia de imagem térmica, de modo a proporcionar-lhe uma vista nítida em condições de baixa visibilidade ou num ambiente escuro. Ajuda a visualizar o alvo e a medir a distância. Ajuda a visualizar o alvo e a medir a distância. O dispositivo pode ser amplamente utilizado para busca e salvamento, caça, etc.

O dispositivo consegue tirar instantâneos, gravar vídeos e, se o ligar ao seu telemóvel por intermédio de um hotspot, configurar parâmetros através da aplicação HIKMICRO Sight. Pesquise HIKMICRO Sight na App Store (Sistema iOS) ou no Google Play™ (Sistema Android) para a transferir, ou faça a leitura do código QR para transferir e instalar a aplicação.



Sistema Android



Sistema iOS

As bandas e modos de frequência e os limites nominais de potência transmitida (radiada e/ou conduzida) aplicáveis a este dispositivo de rádio são os seguintes:

Wi-Fi 2,4 GHz (2,4 GHz a 2,4835 GHz)	20 dBm
--------------------------------------	--------

2. Aspeto

Estão disponíveis dois tipos de mira de visão térmica. Tenha o produto real como referência. Os botões, componentes e interface dos dois tipos de miras de visão térmica são os mesmos.

Componentes & Interface (Página 1 – A)

N.º	Componente	Função
1	Tecla de ligar/desligar	<ul style="list-style-type: none"> ● Premir: modo de standby/reativação do dispositivo ● Premir sem solta: ligar/desligar
2	Tecla de medição	<ul style="list-style-type: none"> ● Premir: medição da distância com o laser ● Premir sem soltar: captura
3	Roda	<ul style="list-style-type: none"> ● Premir: alterar as paletas ● Premir sem soltar: operações do menu ● Girar: mudar para o zoom digital
4	Tampa da lente	Proteger a lente.
5	Anel de foco	Ajustar a vista.
6	Medidor de distâncias a laser	Medir a distância com o laser.
7	Compartimento da bateria	Instalar a bateria no interior.
8	Anel de focagem	Fixar o óculo.
9	Óculo	Visualizar o alvo.
10	Interface de troca de dados	Ligar ao cabo de saída.

Combinação de botões

N.º	Combinação	Função
2 + 3	Tecla de medição + Roda	Prima em simultâneo para iniciar ou parar a gravação.
1 + 2 + 3	Tecla de ligar/desligar + Tecla de medição + Roda	Prima em simultâneo para entrar no menu oculto.

3. Instalar a bateria (Página 3 – B)

Passos

1. Gire a tampa da bateria no sentido contrário ao dos ponteiros do relógio para a soltar.

2. Insira a bateria no respetivo compartimento com o pólo positivo para dentro.

3. Gire a tampa da bateria no sentido dos ponteiros do relógio para a apertar.

Nota: retire as pilhas do dispositivo caso vá passar muito tempo sem o utilizar.

4. Instalar a calha (Página 4 – C)

Passos

1. Instale o dispositivo na calha, na direção indicada pela seta preta.

2. Insira e aperte os parafusos.

3. Aperte as alavancas para fixar o dispositivo.

Nota:

- Comece por desligar o dispositivo.
- Utilize um pano sem pó para limpar a base do dispositivo e a calha.

5. Ligar o dispositivo (Página 5 – E)

Passos

1. Ligue o dispositivo e certifique-se de que a função de ponto de acesso está desativada.

2. Retire a capa da interface de troca de dados.

3. Ligue o dispositivo ao adaptador de alimentação por intermédio de um cabo Tipo-C para ativar o dispositivo. Ou então ligue o dispositivo ao PC, de modo a poder exportar ficheiros.

Manual de utilizador



Informação legal

©2022 Hangzhou Microimage Software Co., Ltd. Todos os direitos reservados.


Acerca deste Manual

O Manual inclui instruções para utilizar e gerir o produto. As fotografias, os gráficos, as imagens e todas as outras informações doravante

apresentadas destinam-se apenas a fins de descritivos e informativos. As informações que constam do Manual estão sujeitas a alteração, sem aviso prévio, devido a atualizações de firmware ou a outros motivos. Encontre a versão mais recente deste Manual no website da HIKMICRO (www.hikmicrotech.com/).

Utilize este Manual sob orientação e com a assistência de profissionais formados neste Produto.

Reconhecimento de marcas comerciais

 **HIKMICRO** e outras marcas registadas e logótipos da HIKMICRO são propriedades da HIKMICRO em diversos territórios. Outras marcas comerciais e logótipos mencionados são propriedade dos respetivos proprietários.

EXCLUSÃO DE RESPONSABILIDADE LEGAL

NA MEDIDA MÁXIMA PERMITIDA PELA LEI APLICÁVEL, ESTE MANUAL E O PRODUTO DESCRITO, COM O SEU HARDWARE, SOFTWARE E FIRMWARE, SÃO FORNECIDOS “TAL COMO ESTÃO” E “COM TODAS AS SUAS FALHAS E ERROS”. A HIKMICRO NÃO APRESENTA QUAISQUER GARANTIAS, EXPRESSAS OU IMPLÍCITAS, INCLUINDO, SEM QUAISQUER LIMITAÇÕES, GARANTIAS DE COMERCIALIZABILIDADE, QUALIDADE SATISFATÓRIA OU ADEQUAÇÃO A UM DETERMINADO FIM. A SUA UTILIZAÇÃO DESTES PRODUTOS É FEITA POR SUA CONTA E RISCO. EM NENHUMA CIRCUNSTÂNCIA, A HIKMICRO SERÁ RESPONSÁVEL POR SI EM RELAÇÃO A QUAISQUER DANOS ESPECIAIS, CONSEQUENCIAIS, INCIDENTAIS OU INDIRETOS, INCLUINDO, ENTRE OUTROS, DANOS PELA PERDA DE LUCROS COMERCIAIS, INTERRUPÇÃO DA ATIVIDADE, PERDA DE DADOS, CORRUPÇÃO DE SISTEMAS OU PERDA DE DOCUMENTAÇÃO SEJA COM BASE NUMA VIOLAÇÃO DO CONTRATO, ATOS ILÍCITOS (INCLUÍDO NEGLIGÊNCIA), RESPONSABILIDADE PELO PRODUTO OU, DE OUTRO MODO, RELACIONADA COM A UTILIZAÇÃO DO PRODUTO, AINDA QUE A HIKMICRO TENHA SIDO AVISADA SOBRE A POSSIBILIDADE DE TAIS DANOS OU PERDAS.

O UTILIZADOR RECONHECE QUE A NATUREZA DA INTERNET OFERECE RISCOS DE SEGURANÇA INERENTES E QUE A HIKMICRO NÃO SERÁ RESPONSABILIZADA POR UM FUNCIONAMENTO ANORMAL, PERDA DE PRIVACIDADE OU OUTROS DANOS RESULTANTES DE ATAQUES INFORMÁTICOS, ATAQUES DE PIRATARIA, INFEÇÃO POR VÍRUS OU OUTROS RISCOS ASSOCIADOS À SEGURANÇA DA INTERNET. NO ENTANTO, A HIKMICRO PRESTARÁ APOIO TÉCNICO ATEMPADO, SE SOLICITADO. O UTILIZADOR ACEITA UTILIZAR ESTE PRODUTO EM CONFORMIDADE COM TODAS AS LEIS APLICÁVEIS E SER O ÚNICO RESPONSÁVEL POR GARANTIR QUE A SUA UTILIZAÇÃO É CONFORME À LEI APLICÁVEL. PARTICULARMENTE, O UTILIZADOR É O RESPONSÁVEL PELA UTILIZAÇÃO DESTES PRODUTOS DE MODO QUE NÃO INFRINJA OS DIREITOS DE

TERCEIROS, INCLUINDO, ENTRE OUTROS, OS DIREITOS DE PUBLICIDADE, DIREITOS DE PROPRIEDADE INTELECTUAL OU DE PROTEÇÃO DE DADOS, OU QUAISQUER OUTROS DIREITOS DE PRIVACIDADE. Não deve utilizar este produto para caçadas de animais ilegais, invasão de privacidade ou qualquer outra finalidade que seja ilegal ou contrária ao interesse público. O UTILIZADOR NÃO PODERÁ UTILIZAR ESTE PRODUTO PARA QUAISQUER UTILIZAÇÕES FINAIS PROIBIDAS, INCLUINDO O DESENVOLVIMENTO OU PRODUÇÃO DE ARMAS DE DESTRUÇÃO MACIÇA, DESENVOLVIMENTO OU PRODUÇÃO DE QUÍMICOS OU ARMAS BIOLÓGICAS, QUAISQUER ATIVIDADES DESENVOLVIDAS NO ÂMBITO DE EXPLOSIVOS NUCLEARES OU CICLOS DE COMBUSTÍVEL NUCLEAR INSEGURO OU PARA APOIAR ABUSOS AOS DIREITOS HUMANOS.

NA EVENTUALIDADE DA OCORRÊNCIA DE ALGUM CONFLITO ENTRE ESTE MANUAL E A LEGISLAÇÃO APLICÁVEL, ESTA ÚLTIMA PREVALECE.

Informações sobre as normas reguladoras

Declaração de conformidade da UE



Este produto e - se aplicável - os acessórios fornecidos também têm a marcação "CE" e, portanto, estão em conformidade com as normas europeias harmonizadas aplicáveis enumeradas na Diretiva 2014/53/UE (RED), Diretiva 2014/30/UE (EMCD), Diretiva 2014/35/UE (LVD) e Diretiva 2011/65/UE (RoHS).



Diretiva 2012/19/UE (Diretiva REEE): Os produtos com este símbolo não podem ser eliminados como resíduos urbanos indiferenciados na União Europeia. Para uma reciclagem adequada, devolva este produto ao seu fornecedor local quando adquirir um novo equipamento equivalente ou elimine-o através dos pontos de recolha adequados. Para mais informações, consulte: www.recyclethis.info.



Diretiva 2006/66/CE e respetiva alteração 2013/56/UE (Diretiva relativa às pilhas e baterias): Este produto contém uma bateria que não pode ser eliminada como resíduo urbano indiferenciado na União Europeia. Consulte a documentação do produto para obter informações específicas acerca da bateria. A bateria está marcada com este símbolo, que poderá incluir inscrições para indicar a presença de cádmio (Cd), chumbo (Pb), ou mercúrio (Hg). Para reciclar o produto de forma adequada, devolva a bateria ao seu fornecedor ou coloque-a num ponto de recolha apropriado. Para mais informações, consulte: www.recyclethis.info.

Instruções de segurança

Estas instruções destinam-se a garantir que o utilizador possa utilizar o produto corretamente para evitar perigos ou perdas materiais.

Legislação e regulamentos

- A utilização do produto deve estar em total conformidade com as normas locais de manuseamento de aparelhos elétricos.

Transporte

- Mantenha o dispositivo na embalagem original ou similar, quando o transportar.
- Depois da abertura da embalagem do produto, guarde todos invólucros, para uso posterior. Em caso de qualquer avaria, deve devolver o dispositivo à fábrica com o invólucro original.
- O transporte sem o invólucro original pode resultar em danos no dispositivo, sendo que a empresa não assumirá quaisquer responsabilidades.
- Não deixe o produto cair, nem o sujeite a impactos físicos. Mantenha o dispositivo longe de interferências magnéticas.

Alimentação elétrica

- A compra do adaptador fica por conta do utilizador. A tensão de entrada deve ir ao encontro da Fonte de Alimentação Limitada (5 VCC, 2A), de acordo com a norma IEC61010-1. Consulte as especificações técnicas para obter informações detalhadas.
- Utilize o adaptador de alimentação fornecido por um fabricante qualificado. Para informações detalhadas sobre os requisitos relativos à alimentação, consulte as especificações do produto.
- O carregador da bateria está incluído na embalagem. A tensão de entrada do carregador da bateria fornecido deve estar em conformidade com a Fonte de Alimentação Limitada (5 VCC, 2 A).
- Certifique-se de que a ficha está devidamente ligada à tomada.
- NÃO ligue vários dispositivos a um adaptador de energia, para evitar o superaquecimento e riscos de incêndio provocados por sobrecarga.
- A fonte de alimentação deve cumprir com os requisitos da fonte de alimentação limitada ou da PS2 (fonte de alimentação de classe 2) de acordo com a norma IEC 60950-1 ou IEC 62368-1.

Bateria

- A utilização ou substituição inadequadas da bateria poderá resultar em risco de explosão. Substitua apenas por uma bateria do mesmo tipo ou de tipo equivalente.

- Utilize uma bateria fornecida por um fabricante qualificado. Para informações detalhadas sobre os requisitos relacionados com a bateria, consulte as especificações do produto.
- A bateria é do tipo 18650 com placa de proteção e o tamanho da bateria deve situar-se entre 19 mm x 70 mm. A tensão e a capacidade nominal é de 3,6 VCC/3,35 Ah (12,06 Wh). Elimine as baterias usadas em conformidade com as instruções fornecidas pelo fabricante da bateria.
- Certifique-se de que a temperatura da bateria está entre 0 °C e 45 °C (32 °F a 113 °F) durante o carregamento.
- Em caso de armazenamento prolongado da bateria, certifique-se de que esta é totalmente carregada de 6 em 6 meses, garantindo, assim, a sua qualidade. Caso contrário, poderão ocorrer danos.
- Não carregue outro tipo de bateria com o carregador fornecido. Certifique-se de que não existe material inflamável no raio de dois metros do carregador enquanto o carregamento é efetuado.
- NÃO coloque a bateria perto de uma fonte de calor ou do fogo. Evite a luz solar direta.
- NÃO coloque a bateria ao alcance das crianças.
- A bateria não pode ser diretamente carregada com uma fonte de alimentação externa.
- O dispositivo não pode ser carregado. Utilize o carregador fornecido para proceder ao carregamento da bateria.

Manutenção

- Se o produto não funcionar corretamente, contacte o seu fornecedor ou o seu centro de assistência mais próximo. Não assumimos qualquer responsabilidade por problemas causados por reparações ou manutenções não autorizadas.
- Limpe o dispositivo suavemente com um pano limpo e uma pequena quantidade de etanol, se necessário.
- Se o equipamento for utilizado de uma forma não especificada pelo fabricante, a proteção providenciada pelo dispositivo poderá ser afetada.

Ambiente da utilização

- Certifique-se de que o ambiente de funcionamento do dispositivo cumpre os requisitos do mesmo. A temperatura de funcionamento deve estar entre os -30 °C e os 55 °C (-22 °F a 131 °F), e a humidade deve ser de 5% a 95%.
- Coloque o dispositivo num ambiente seco e bem ventilado.
- NÃO exponha o dispositivo a radiação eletromagnética elevada nem a ambientes com pó.

- NÃO direcione a lente para o sol nem para qualquer outra luz brilhante.
- Quando estiver a utilizar qualquer equipamento a laser, verifique se a lente do dispositivo não se encontra exposta ao feixe de laser, caso contrário pode queimar.

Emergência

- Caso o dispositivo emita fumo, odores ou ruídos, desligue a alimentação elétrica de imediato, retire o cabo de alimentação da tomada e contacte o centro de assistência.

Laser



Quando estiver a utilizar qualquer equipamento a laser, verifique se a lente do dispositivo não se encontra exposta ao feixe de laser, caso contrário pode queimar. A radiação laser emitida pelo dispositivo pode provocar lesões oculares, queimaduras na pele ou a combustão de substâncias inflamáveis. Antes de ativar a função de Luz suplementar, certifique-se de que não existem pessoas ou substâncias inflamáveis diante da lente laser. Não coloque o dispositivo num local ao alcance de menores de idade.

Endereço do fabricante

Sala 313, Unidade B, Edifício 2, Rua Danfeng 399, Subdistrito Xixing, Distrito Binjiang, Hangzhou, Zhejiang 310052, China
Hangzhou Microimage Software Co., Ltd.

AVISO DE CONFORMIDADE: Os produtos da série térmica poderão estar sujeitos a controlos de exportação em vários países ou regiões, incluindo sem limite, os Estados Unidos da América, a União Europeia, o Reino Unido e/ou outros países-membro do Acordo de Wassenaar. Consulte o seu especialista em legislação ou em conformidade ou as autoridades locais para saber os requisitos de licença de exportação necessários se pretender transferir, exportar, voltar a exportar os produtos da série térmica entre países diferentes.

Italiano

1. Descrizione sintetica

Il termocannocchiale è dotato di un rivelatore IR ad alta sensibilità e adotta un'avanzata tecnologia di immagini termiche per una visione chiara in condizioni di scarsa visibilità e in ambienti bui. Aiuta a

visualizzare un bersaglio e a misurarne la distanza. Aiuta a visualizzare un bersaglio e a misurarne la distanza. Il dispositivo può essere utilizzato per attività di ricerca e soccorso, caccia ecc.

Il dispositivo consente di acquisire immagini istantanee, registrare video e impostare i parametri tramite l'app HIKMICRO Sight attraverso la connessione a un telefono mediante hotspot Wi-Fi. Cercare l'app HIKMICRO Sight nell'App Store (per iOS) o in Google Play™ (per Android) e scaricarla, oppure scansionare il codice QR per scaricare e installare l'app.



Per Android



Per iOS

Le bande di frequenza, le modalità e i limiti nominali di potenza trasmessa (irradiata e/o condotta) applicabili al presente dispositivo radio sono i seguenti:

Wi-Fi 2,4 GHz (da 2,4 GHz a 2,4835 GHz)	20 dBm
---	--------

2. Aspetto

Ci sono due tipi di termocannocchiale. Fare riferimento al prodotto reale. I pulsanti, i componenti e l'interfaccia dei due tipi di visori termici sono identici.

Componenti e interfaccia (Pagina 1 – A)

N.	Componente	Funzione
1	Pulsante di alimentazione	<ul style="list-style-type: none"> ● Pressione breve: consente di mettere il dispositivo in standby e di riattivarlo ● Pressione lunga: consente di accendere e spegnere
2	Pulsante di misurazione	<ul style="list-style-type: none"> ● Pressione breve: misurazione della distanza con il laser ● Pressione lunga: acquisizione immagini

3	Ghiera zigrinata	<ul style="list-style-type: none"> ● Premere per: cambiare tavolozze ● Pressione lunga: accesso al menu operativo ● Rotazione: cambio dello zoom digitale
4	Copriobiettivo	Protegge l'obiettivo.
5	Ghiera di messa a fuoco	Si usa per mettere a fuoco.
6	Telemetro laser	Misurazione della distanza con il laser.
7	Vano batterie	Installare la batteria in tale vano.
8	Anello di fissaggio	Fissa l'oculare.
9	Oculare	Visualizza il bersaglio.
10	Interfaccia per trasmissione dati	Consente la connessione del cavo di uscita.

Combinazione di pulsanti

N.	Combinazione	Funzione
2 + 3	Pulsante di misurazione + ghiera zigrinata	Premere contemporaneamente per avviare o interrompere la registrazione.
1 + 2 + 3	Pulsante di alimentazione + Pulsante di misurazione + ghiera zigrinata	Premere contemporaneamente per accedere al menu nascosto.

3. Installazione della batteria (Pagina 3 – B)

Procedura

1. Ruotare il coperchio della batteria in senso antiorario per allentarlo.
2. Inserire la batteria nel vano, con il polo positivo verso l'interno.
3. Ruotare il coperchio della batteria in senso orario per fissarlo.

Nota: se il dispositivo rimane inutilizzato per un lungo periodo, rimuovere le batterie.

4. Installazione della guida (Pagina 4 – C)

Procedura

1. Installare il dispositivo sulla guida come indicato dalla freccia nera.
2. Inserire e stringere le viti.
3. Serrare le leve per fissare il dispositivo.

Nota:

- Spegnere il dispositivo.
- Usare il panno antipolvere per pulire la base e la guida del dispositivo.

5. Connessione del dispositivo (Pagina 5 – E)

Procedura

1. Accendere il dispositivo e verificare che la funzionalità hotspot sia disabilitata.
2. Sollevare il coperchio dell'interfaccia per scambio dati.
3. Collegare il dispositivo all'alimentatore utilizzando un cavo USB di tipo C, per accendere il dispositivo. In alternativa, collegare il dispositivo al PC per esportare i file.

Manuale dell'utente




Informazioni legali

©2022 Hangzhou Microimage Software Co., Ltd. Tutti i diritti riservati.
Informazioni sul presente Manuale

Il presente Manuale contiene le istruzioni per l'uso e la gestione del prodotto. Le illustrazioni, i grafici e tutte le altre informazioni che seguono hanno solo scopi illustrativi ed esplicativi. Le informazioni contenute nel Manuale sono soggette a modifiche senza preavviso in seguito ad aggiornamenti del firmware o per altri motivi. Scaricare la versione più recente del presente Manuale dal sito web di HIKMICRO (www.hikmicrotech.com/).

Utilizzare il presente Manuale con la supervisione e l'assistenza di personale qualificato nel supporto del prodotto.

Titolarità dei marchi

 **HIKMICRO** e gli altri marchi registrati e loghi di HIKMICRO sono di proprietà di HIKMICRO nelle varie giurisdizioni.

Gli altri marchi registrati e loghi menzionati appartengono ai rispettivi proprietari.

ESCLUSIONE DI RESPONSABILITÀ

NELLA MISURA MASSIMA CONSENTITA DALLA LEGGE VIGENTE, QUESTO MANUALE E IL PRODOTTO DESCRITTO, CON IL SUO HARDWARE, SOFTWARE E FIRMWARE, SONO FORNITI "COSÌ COME SONO" E "CON TUTTI I DIFETTI E GLI ERRORI". HIKMICRO NON RILASCI ALCUNA GARANZIA, NÉ ESPRESSA NÉ IMPLICITA COME, SOLO A TITOLO DI ESEMPIO, GARANZIE DI COMMERCIALIZZABILITÀ, QUALITÀ SODDISFACENTE O IDONEITÀ PER UN USO SPECIFICO. L'UTENTE UTILIZZA IL PRODOTTO A PROPRIO RISCHIO. HIKMICRO DECLINA QUALSIASI RESPONSABILITÀ VERSO L'UTENTE IN RELAZIONE A DANNI SPECIALI, CONSEGUENZIALI E INCIDENTALI, COMPRESI, TRA GLI ALTRI, I DANNI DERIVANTI DA MANCATO PROFITTO, INTERRUZIONE DELL'ATTIVITÀ O PERDITA DI DATI, DANNEGGIAMENTO DI SISTEMI O PERDITA DI DOCUMENTAZIONE, DERIVANTI DA INADEMPIENZA CONTRATTUALE, ILLECITO (COMPRESA LA NEGLIGENZA), RESPONSABILITÀ PER DANNI AI PRODOTTI O ALTRIMENTI IN RELAZIONE ALL'USO DEL PRODOTTO, ANCHE QUALORA HIKMICRO SIA STATA INFORMATA DELLA POSSIBILITÀ DI TALI DANNI O PERDITE.

L'UTENTE RICONOSCE CHE LA NATURA DI INTERNET PREVEDE RISCHI DI SICUREZZA INTRINSECI E CHE HIKMICRO DECLINA QUALSIASI RESPONSABILITÀ IN RELAZIONE A FUNZIONAMENTI ANOMALI, VIOLAZIONE DELLA RISERVATEZZA O ALTRI DANNI RISULTANTI DA ATTACCHI INFORMATICI, INFEZIONE DA VIRUS O ALTRI RISCHI LEGATI ALLA SICUREZZA SU INTERNET; TUTTAVIA, HIKMICRO FORNIRÀ TEMPESTIVO SUPPORTO TECNICO, SE NECESSARIO.

L'UTENTE ACCETTA DI UTILIZZARE IL PRODOTTO IN CONFORMITÀ A TUTTE LE LEGGI VIGENTI E DI ESSERE IL SOLO RESPONSABILE DI TALE UTILIZZO CONFORME. IN PARTICOLARE, L'UTENTE È RESPONSABILE DEL FATTO CHE L'UTILIZZO DEL PRODOTTO NON VIOLI DIRITTI DI TERZI COME, SOLO A TITOLO DI ESEMPIO, DIRITTI DI PUBBLICITÀ, DIRITTI DI PROPRIETÀ INTELLETTUALE O DIRITTI RELATIVI ALLA PROTEZIONE DEI DATI E ALTRI DIRITTI RIGUARDANTI LA PRIVACY. Non utilizzare questo prodotto per caccia illegale, violazione della privacy o altri scopi illeciti o contrari all'interesse pubblico. NON È CONSENTITO UTILIZZARE QUESTO PRODOTTO PER SCOPI PROIBITI, COME, TRA GLI ALTRI, LA PRODUZIONE DI ARMI DI DISTRUZIONE DI MASSA, LO SVILUPPO O LA PRODUZIONE DI ARMI CHIMICHE O BIOLOGICHE, QUALSIASI ATTIVITÀ SVOLTA IN CONTESTI

CORRELATI A ESPLOSIVI NUCLEARI O COMBUSTIBILI NUCLEARI NON SICURI O ATTIVITÀ CHE CAUSINO VIOLAZIONI DEI DIRITTI UMANI.
IN CASO DI CONFLITTO TRA IL PRESENTE MANUALE E LA LEGGE VIGENTE, PREVARRÀ QUEST'ULTIMA.

Informazioni sulle norme

Dichiarazione di conformità UE



Il presente prodotto e, ove applicabile, gli accessori in dotazione sono contrassegnati con il marchio "CE" e sono quindi conformi alle norme europee armonizzate vigenti di cui alla direttiva europea sulle apparecchiature radio (RED) 2014/53/UE, direttiva compatibilità elettromagnetica (EMCD) 2014/30/UE, direttiva bassa tensione (LVD) 2014/35/CE e direttiva sulla restrizione dell'uso di sostanze pericolose (RoHS) 2011/65/UE.



Direttiva 2012/19/UE (RAEE): i prodotti contrassegnati con il presente simbolo non possono essere smaltiti come rifiuti domestici indifferenziati nell'Unione europea. Per lo smaltimento corretto, restituire il prodotto al rivenditore in occasione dell'acquisto di un nuovo dispositivo o smaltirlo nei punti di raccolta autorizzati. Ulteriori informazioni sono disponibili sul sito: www.recyclethis.info



Direttiva 2006/66/CE, modificata dalla direttiva 2013/56/UE (direttiva sulle batterie): questo prodotto contiene una batteria e non è possibile smaltirlo con i rifiuti domestici indifferenziati nell'Unione europea. Consultare la documentazione del prodotto per le informazioni specifiche sulla batteria. La batteria è contrassegnata con il presente simbolo, che potrebbe includere le sigle di cadmio (Cd), piombo (Pb) o mercurio (Hg). Per lo smaltimento corretto, restituire la batteria al rivenditore locale o smaltirla nei punti di raccolta autorizzati. Ulteriori informazioni sono disponibili sul sito: www.recyclethis.info.

Istruzioni per la sicurezza

Le presenti istruzioni hanno lo scopo di garantire che il prodotto venga utilizzato in modo corretto, evitando situazioni di pericolo o danni materiali.

Leggi e regolamenti

- Il prodotto deve essere utilizzato rispettando rigorosamente le norme locali in materia di sicurezza elettrica.

Trasporto

- Per trasportare il dispositivo, riporlo nella confezione originale o in una analoga.
- Dopo aver disimballato il prodotto, conservare tutto il materiale di imballaggio per riutilizzarlo in futuro. In caso di guasti, sarà necessario inviare il dispositivo al produttore nell'imballaggio originale.
- Il trasporto senza l'imballaggio originale può causare danni al dispositivo; in tal caso il produttore declina ogni responsabilità.
- Non lasciar cadere il prodotto e non sottoporlo a impatti. Tenere il dispositivo lontano dalle interferenze magnetiche.

Alimentazione

- L'alimentatore è acquistabile separatamente. La tensione in ingresso deve essere conforme alla norma IEC61010-1 sulle fonti di alimentazione limitate (5 V CC, 2 A). Per informazioni dettagliate, consultare le specifiche tecniche.
- Utilizzare un alimentatore fornito da un produttore qualificato. Fare riferimento alle specifiche del prodotto per i requisiti di alimentazione dettagliati.
- Il caricabatterie è incluso nella confezione. La tensione di ingresso del caricabatterie in dotazione deve essere conforme ai requisiti relativi alle fonti di alimentazione limitata (5 VCC, 2 A).
- Verificare che la spina sia correttamente inserita nella presa di corrente.
- NON collegare più dispositivi allo stesso alimentatore per evitare rischi di surriscaldamento o di incendio da sovraccarico.
- La fonte di alimentazione deve soddisfare i requisiti previsti per le fonti di alimentazione limitate o PS2 in conformità alle norme IEC 60950-1 o IEC 62368-1.

Batteria

- Utilizzando o sostituendo la batteria in modo errato si possono causare esplosioni. Sostituire la batteria solo con una dello stesso tipo o di tipo equivalente.
- Utilizzare una batteria fornita da un produttore qualificato. Fare riferimento alle specifiche del prodotto per i requisiti di batteria dettagliati.
- La batteria è di tipo 18650 con scheda di protezione; le dimensioni della batteria devono essere di 19 mm × 70 mm. La tensione e la capacità nominali sono di 3,6 V CC/3,35 Ah (12,06 Wh). Smaltire le batterie esaurite secondo le istruzioni del produttore.
- Assicurarsi che la temperatura della batteria sia compresa tra 0 °C e 45°C (tra 32 °F e 113 °F) durante la ricarica.
- Se la batteria rimane inutilizzata per lunghi periodi, caricarla

completamente ogni sei mesi per garantire una lunga durata. In caso contrario potrebbe subire danni.

- Non usare il caricabatterie in dotazione per caricare altri tipi di batterie. Verificare che durante la ricarica non ci siano materiali infiammabili nel raggio di 2 metri dal caricabatterie.
- NON collocare la batteria vicino a fonti di calore o fuoco. Evitare la luce diretta del sole.
- Tenere la batteria fuori dalla portata dei bambini.
- La batteria non può essere caricata direttamente con una fonte di alimentazione esterna.
- Il dispositivo non può essere caricato. Caricare la batteria usando l'alimentatore in dotazione.

Manutenzione

- Se il prodotto non funziona correttamente, rivolgersi al rivenditore o al centro di assistenza più vicino. Decliniamo qualsiasi responsabilità in relazione a problemi causati da interventi di riparazione o manutenzione non autorizzati.
- Se necessario, pulire delicatamente il dispositivo con un panno pulito imbevuto di una piccola quantità di alcool etilico.
- Se il dispositivo viene utilizzato in un modo non approvato dal produttore la garanzia potrebbe essere annullata.

Ambiente di utilizzo

- Verificare che l'ambiente di utilizzo sia conforme ai requisiti del dispositivo. La temperatura operativa deve essere compresa tra -30 °C e 55 °C (tra -22 °F e 131 °F); l'umidità deve essere compresa tra il 5% e il 95%.
- Collocare il dispositivo in un ambiente asciutto e ben ventilato.
- NON esporre il dispositivo a radiazioni elettromagnetiche intense o ad ambienti polverosi.
- NON orientare l'obiettivo verso il sole o altre luci intense.
- Quando si utilizzano apparecchiature laser, non esporre l'obiettivo del dispositivo al raggio laser, che potrebbe bruciarlo.

Emergenza

- Se il dispositivo emette fumo, odori o rumori, spegnerlo immediatamente e scollegare il cavo di alimentazione, quindi rivolgersi a un centro di assistenza.

Laser



Quando si utilizzano apparecchiature laser, non esporre l'obiettivo del dispositivo al raggio laser, che potrebbe bruciarlo. La radiazione laser emessa dal dispositivo può causare lesioni agli occhi, ustioni alla pelle o combustione di sostanze infiammabili. Prima di attivare la luce supplementare verificare che non ci siano persone o sostanze infiammabili davanti all'obiettivo laser. Tenere il dispositivo lontano dalla portata dei bambini.

Indirizzo del produttore

Stanza 313, unità B, edificio 2, via Danfeng 399, subdistretto Xixing, distretto Binjiang, Hangzhou, Zhejiang, 310052, Cina
Hangzhou Microimage Software Co., Ltd.

AVVISO SULLA CONFORMITÀ: i prodotti termografici potrebbero essere soggetti a controlli sulle esportazioni in vari Paesi o regioni, tra cui Stati Uniti, Unione europea, Regno Unito e/o altri Paesi membri dell'accordo di Wassenaar. Consultare un legale o un esperto di conformità o le autorità governative locali per eventuali requisiti di licenza di esportazione necessari se si intende trasferire, esportare, riesportare i prodotti termografici tra diversi Paesi.

Čeština

1. Stručný popis

Termovizní zaměřovač je vybaven infračerveným snímačem o vysoké citlivosti a využívá pokročilou technologii termovize k získání zřetelného zobrazení při špatné viditelnosti nebo v tmavém prostředí. Pomáhá zobrazit cíl a změřit jeho vzdálenost. Pomáhá zobrazit cíl a změřit jeho vzdálenost. Zařízení nalézá široké uplatnění při vyhledávání a záchraně osob, lovu atd.

Zařízení dokáže zachycovat snímky a zaznamenávat videa a po připojení k telefonu přes hotspot umožňuje nastavování parametrů pomocí aplikace HIKMICRO Sight. Chcete-li aplikaci HIKMICRO Sight stáhnout, vyhledejte ji v obchodech App Store (systémy iOS) nebo Google Play™ (systémy Android). Můžete ji také stáhnout a nainstalovat naskenováním kódu QR.



System Android



System iOS

Frekvenční pásma a režimy a jmenovité limity přenášeného výkonu (vyzařovaného anebo vedeného) jsou ve vztahu k tomuto rádiovému zařízení následující:

Wi-Fi 2,4 GHz (2,4–2,483 5 GHz)	20 dBm
---------------------------------	--------

2. Vzhled

Termovizní zaměřovač je dodáván ve dvou typech. Jako referenci použijte skutečný výrobek. Tlačítka, součásti a rozhraní obou typů termovizních zaměřovačů jsou stejné.

Komponenty a rozhraní (strana 1 – A)

Č.	Součást	Funkce
1	Vypínač	<ul style="list-style-type: none"> ● Stisknutí: Slouží k aktivaci pohotovostního režimu nebo k probuzení zařízení. ● Podržení: Slouží k zapnutí nebo vypnutí.
2	Tlačítko měření	<ul style="list-style-type: none"> ● Stisknutí: měření vzdálenosti pomocí laseru ● Podržení: snímání
3	Kolečko	<ul style="list-style-type: none"> ● Stisknutí: Slouží k přepnutí palet ● Podržení: Použití nabídky ● Otáčení: Přepínání digitálního zoomu
4	Krytka objektivu	Slouží k ochraně objektivu.
5	Zaostřovací kroužek	Nastavuje zobrazení hledí.
6	Hledáček laserového dálkoměru	Měření vzdálenosti pomocí laseru.

7	Prostor pro baterie	Slouží ke vložení baterií.
8	Zaostřovací kroužek	Slouží k připevnění okuláru.
9	Okulár	Slouží k zobrazení cíle.
10	Rozhraní pro datovou komunikaci	Slouží k připojení výstupního kabelu.

Kombinace tlačítek

Č.	Kombinace	Funkce
2 + 3	Tlačítko měření + kolečko	Současným stisknutím spustíte nebo zastavíte nahrávání.
1 + 2 + 3	Vypínač + tlačítko měření + kolečko	Současným stisknutím vstoupíte do skryté nabídky.

3. Vložení baterie (strana 3 – B)

Kroky

1. Otočte krytem bateriového prostoru proti směru hodinových ručiček, abyste ho uvolnili.
2. Vložte baterii do prostoru pro baterii kladným označením směrem dovnitř.
3. Otočte krytem bateriového prostoru ve směru hodinových ručiček, abyste ho utáhli.

Poznámka: Pokud nebudete zařízení delší dobu používat, vyjměte baterie.

4. Montáž kolejnice (strana 4 – C)

Kroky

1. Namontujte zařízení na kolejnici podle zobrazené černé šipky.
2. Vložte a utáhněte šrouby.
3. Utažením páček zajistěte zařízení.

Poznámka:

- Nejprve vypněte zařízení.
- Pomocí protiprachového hadříku vyčistěte základnu zařízení a kolejnici.

5. Připojení zařízení (strana 5 – E)

Kroky

1. Zapněte zařízení a přesvědčte se, že je funkce hotspotu vypnutá.
2. Zvedněte kryt rozhraní pro datovou komunikaci.
3. K napájení zařízení propojte zařízení a napájecí adaptér pomocí kabelu typu C. Případně připojte zařízení a počítač k exportu souborů.

Návod k obsluze



Právní informace


©2022 Hangzhou Microimage Software Co., Ltd. Všechna práva vyhrazena.

Informace o tomto návodu

V návodu jsou obsaženy pokyny k používání a obsluze výrobku. Obrázky, schémata, snímky a veškeré ostatní zde uvedené informace slouží pouze jako popis a vysvětlení. Informace obsažené v tomto návodu podléhají vzhledem k aktualizacím firmwaru nebo z jiných důvodů změnám bez upozornění. Nejnovější verzi tohoto návodu naleznete na webových stránkách společnosti HIKMICRO (www.hikmicrotech.com/).

Tento návod používejte s vedením a pomocí odborníků vyškolených v oblasti podpory výrobku.

Prohlášení o ochranných známkách

 **HIKMICRO** a ostatní ochranné známky společnosti HIKMICRO jsou vlastnictvím společnosti HIKMICRO v různých jurisdikcích.

Ostatní ochranné známky a loga uvedené v této příručce jsou majetkem příslušných vlastníků.

PROHLÁŠENÍ O VYLOUČENÍ ODPOVĚDNOSTI

TATO PŘÍRUČKA A POPISOVANÉ PRODUKTY VČETNĚ PŘÍSLUŠNÉHO HARDWARU, SOFTWARE A FIRMWARU JSOU V MAXIMÁLNÍM ROZSAHU PŘÍPUSTNÉM PODLE ZÁKONA POSKYTOVÁNY, „JAK STOJÍ A LEŽÍ“, A „SE VŠEMI VADAMI A CHYBAMI“. SPOLEČNOST HIKMICRO NEPOSKYTUJE ŽÁDNÉ VÝSLOVNÉ ANI PŘEDPOKLÁDANÉ ZÁRUKY ZARNUJÍCÍ MIMO JINÉ PRODEJNOST, USPOKOJIVOU KVALITU NEBO VHODNOST KE KONKRÉTNÍM ÚČELŮM. POUŽÍVÁNÍ TOHOTO PRODUKTU JE NA VAŠE VLASTNÍ RIZIKO. SPOLEČNOST HIKMICRO V ŽÁDNÉM PŘÍPADĚ NENESE ODPOVĚDNOST ZA

JAKÉKOLI ZVLÁŠTNÍ, NÁSLEDNÉ, NÁHODNÉ NEBO NEPŘÍMÉ ŠKODY ZAHRNÚJÍCÍ MIMO JINÉ ŠKODY ZE ZTRÁTY OBCHODNÍHO ZISKU, PŘERUŠENÍ OBCHODNÍ ČINNOSTI NEBO ZTRÁTY DAT, POŠKOZENÍ SYSTÉMŮ NEBO ZTRÁTY DOKUMENTACE V SOUVISLOSTI S POUŽÍVÁNÍM TOHOTO VÝROBKU BEZ OHLEDU NA TO, ZDA TAKOVÉ ŠKODY VZNIKLY Z DŮVODU PORUŠENÍ SMLOUVY, OBČANSKOPRÁVNÍHO PŘEČINU (VČETNĚ NEDBALOSTI) ČI ODPOVĚDNOSTI ZA PRODUKT, A TO ANI V PŘÍPADĚ, ŽE SPOLEČNOST HIKMICRO BYLA NA MOŽNOST TAKOVÝCHTO ŠKOD NEBO ZTRÁTY UPOZORNĚNA.

BERETE NA VĚDOMÍ, ŽE INTERNET SVOU PODSTATOU PŘEDSTAVUJE SKRYTÁ BEZPEČNOSTNÍ RIZIKA A SPOLEČNOST HIKMICRO PROTO NEPŘEBÍRÁ ŽÁDNOU ODPOVĚDNOST ZA NESTANDARDNÍ PROVOZNÍ CHOVÁNÍ, ÚNIK OSOBNÍCH ÚDAJŮ NEBO JINÉ ŠKODY VYPLÝVAJÍCÍ Z KYBERNETICKÉHO ČI HACKERSKÉHO ÚTOKU, NAPADENÍ VIREM NEBO ŠKODY ZPŮSOBENÉ JINÝMI INTERNETOVÝMI BEZPEČNOSTNÍMI RIZIKY; SPOLEČNOST HIKMICRO VŠAK V PŘÍPADĚ POTŘEBY POSKYTNE VČASNOU TECHNICKOU PODPORU.

SOUHLASÍTE S TÍM, ŽE TENTO PRODUKT BUDE POUŽÍVÁN V SOULADU SE VŠEMI PLATNÝMI ZÁKONY A VÝHRADNĚ ODPOVÍDÁTE ZA ZAJIŠTĚNÍ, ŽE VAŠE UŽÍVÁNÍ BUDE V SOULADU S PLATNOU LEGISLATIVOU.

ODPOVÍDÁTE ZEJMÉNA ZA POUŽÍVÁNÍ PRODUKTU ZPŮSOBEM, KTERÝ NEPORUŠUJE PRÁVA TŘETÍCH STRAN, COŽ ZAHRNÚJE MIMO JINÉ PRÁVO NA OCHRANU OSOBNOSTI, PRÁVO DUŠEVNÍHO VLASTNICTVÍ NEBO PRÁVO NA OCHRANU OSOBNÍCH ÚDAJŮ A DALŠÍ PRÁVA NA OCHRANU SOUKROMÍ. Tento produkt nesmíte používat k nezákonnému lovu zvířat, narušení soukromí ani k žádnému jinému účelu, který je nezákonný nebo poškozuje veřejný zájem. TENTO PRODUKT NESMÍTE POUŽÍVAT K JAKÝMKOLI NEDOVOLENÝM KONCOVÝM ÚČELŮM VČETNĚ VÝVOJE ČI VÝROBY ZBRANÍ HROMADNÉHO NIČENÍ, VÝVOJE NEBO VÝROBY CHEMICKÝCH ČI BIOLOGICKÝCH ZBRANÍ NEBO JAKÝCHKOLI ČINNOSTÍ SOUVISEJÍCÍCH S JADERNÝMI VÝBUŠNINAMI NEBO NEBEZPEČNÝM JADERNÝM PALIVOVÝM CYKLEM ČI K PODPOŘE PORUŠOVÁNÍ LIDSKÝCH PRÁV.

V PŘÍPADĚ JAKÉHOKOLI ROZPORU MEZI TÍMTO NÁVODEM A PŘÍSLUŠNÝMI ZÁKONY PLATÍ DRUHÉ ZMÍNĚNÉ.

Zákonné informace

EU prohlášení o shodě



Tento výrobek, a případně i dodané příslušenství, jsou označeny štítkem „CE“, což znamená, že vyhovují příslušným harmonizovaným evropským normám uvedeným ve směrnici 2014/53/EU (RED), směrnici 2014/30/EU (EMCD), směrnici



2014/35/EU (LVD) a směrnici 2011/65/EU (RoHS).
Směrnice 2012/19/EU (směrnice WEEE): Výrobky označené tímto symbolem nelze v Evropské unii likvidovat společně s netříděným domovním odpadem. Při zakoupení nového ekvivalentního výrobku tento výrobek řádně zrecyklujte vrácením svému místnímu dodavateli, nebo jej zlikvidujte odevzdáním v určených sběrných místech. Další informace naleznete na adrese: www.recyclethis.info.



Směrnice 2006/66/ES a její úprava 2013/56/EU (směrnice o bateriích): Tento výrobek obsahuje baterii, kterou nelze v Evropské unii likvidovat společně s netříděným domovním odpadem. Konkrétní informace o baterii naleznete v dokumentaci výrobku. Baterie je označena tímto symbolem, který může obsahovat písmena značící kadmium (Cd), olovo (Pb) nebo rtuť (Hg). Za účelem řádné recyklace baterii odevzdejte svému dodavateli nebo na určené sběrné místo. Další informace naleznete na adrese: www.recyclethis.info.

Bezpečnostní pokyny

Účelem těchto pokynů je zajistit, aby uživatel mohl výrobek správně používat a zabránilo se nebezpečí nebo újmě na majetku.

Zákony a předpisy

- Používání výrobku musí být přísně v souladu s místními bezpečnostními předpisy pro elektrická zařízení.

Přeprava

- Při přepravě uchovávejte zařízení v původním nebo jemu podobném balení.
- Po vybalení uchovejte veškeré obaly pro budoucí použití. V případě jakékoli poruchy je třeba vrátit zařízení výrobcí v původním obalu.
- Přeprava bez původního obalu může vést k poškození zařízení, za které společnost neponese odpovědnost.
- Produkt nevystavujte fyzickým nárazům a zabraňte jeho spadnutí. Udržujte zařízení mimo dosah magnetického rušení.

Napájení

- Zakupte si adaptér samostatně. Vstupní napětí musí dle normy IEC61010-1 splňovat požadavky na omezený zdroj napájení (5 VDC, 2 A). Podrobné informace naleznete v technických údajích.
- Používejte napájecí adaptér dodaný kvalifikovaným výrobcem. Podrobné požadavky na napájení naleznete ve specifikaci výrobku.

- Nabíječka baterie je součástí balení. Vstupní napětí dodané nabíječky baterie musí splňovat požadavky na omezený zdroj napájení (5 VDC, 2 A).
- Zkontrolujte, zda je zástrčka řádně zapojena do napájecí zásuvky.
- K jednomu napájecímu adaptéru NEPŘIPOJUJTE více zařízení, abyste zabránili přehřátí nebo nebezpečí požáru v důsledku přetížení.
- Zdroj napájení musí splňovat požadavky na omezený zdroj napájení nebo požadavky PS2 podle normy IEC 60950-1 NEBO IEC 62368-1.

Baterie

- Nesprávné používání nebo výměna baterie mohou vést k nebezpečí výbuchu. Baterii nahrazujte pouze stejným nebo odpovídajícím typem.
- Používejte baterii dodanou kvalifikovaným výrobcem. Podrobné požadavky na baterii naleznete ve specifikaci výrobku.
- Baterie je typu 18650 s ochrannou deskou. Velikost baterie musí být do 19 mm × 70 mm. Jmenovité napětí a kapacita jsou 3,6 VDC / 3,35 Ah (12,06 Wh). Použité baterie likvidujte dle pokynů poskytnutých výrobcem baterie.
- Zajistěte, aby teplota baterie při nabíjení byla mezi 0 °C a 45 °C (32 °F až 113 °F).
- Při dlouhodobém skladování baterii každého půl roku plně nabijte, abyste zajistili zachování její kvality. V opačném případě může dojít k jejímu poškození.
- Dodanou nabíječkou nenabíjejte jiné typy baterií. Během nabíjení ověřte, zda se v okolí 2 m od nabíječky nenachází hořlavé materiály.
- NEPOKLÁDEJTE baterii poblíž zdroje tepla nebo ohně. Vyhněte se přímému slunečnímu záření.
- NEPOKLÁDEJTE baterii na místa v dosahu dětí.
- Baterii nelze nabíjet přímo pomocí externího zdroje napájení.
- Zařízení nelze nabíjet. K nabíjení baterie použijte dodanou nabíječku.

Údržba

- V případě, že výrobek nefunguje správně, obraťte se na prodejce nebo na nejbližší servisní středisko. Nepřebíráme žádnou odpovědnost za problémy způsobené neoprávněnou opravou nebo údržbou.
- V případě potřeby zařízení jemně otřete čistým hadříkem navlhčeným malým množstvím etanolu.
- V případě použití zařízení způsobem jiným než určeným výrobcem může dojít ke zrušení platnosti záruky.

Provozní prostředí

- Zajistěte, aby provozní prostředí vyhovovalo požadavkům zařízení. Provozní teplota musí být -30 °C až 55 °C a vlhkost musí být 5 %

až 95 %.

- Umístěte zařízení na suché a dobře větrané místo.
- NEVYSTAVUJTE zařízení silnému elektromagnetickému záření ani prašnému prostředí.
- NEMIŘTE objektivem do slunce ani do jiného zdroje jasného světla.
- Používá-li se nějaké laserové zařízení, zajistěte, aby nebyl objektiv zařízení vystaven laserovému paprsku. V opačném případě by se mohl vypálit.

Stav nouze

- Pokud ze zařízení vychází kouř, zápach nebo hluk, zařízení okamžitě vypněte, odpojte napájecí kabel a obraťte se na servisní středisko.

Laser



Používá-li se nějaké laserové zařízení, zajistěte, aby nebyl objektiv zařízení vystaven laserovému paprsku. V opačném případě by se mohl vypálit. Laserové záření vycházející ze zařízení může způsobit poranění očí, popálení kůže nebo vzplanutí hořlavých materiálů. Před povolením funkce doplňkového osvětlení se ujistěte, že před laserovým objektivem nestojí žádní lidé, ani se zde nenacházejí žádné hořlavé materiály. Neumísťujte zařízení tam, kde by mohlo upoutat pozornost nedospělých osob.

Adresa výrobce

Místnost 313, jednotka B, budova 2, ulice Danfeng 399, podobvod Xixing, obvod Binjiang, Hangzhou, Zhejiang 310052, Čína
Hangzhou Microimage Software Co., Ltd.

POZNÁMKA O DODRŽOVÁNÍ PŘEDPISŮ: Na výrobky termální řady se mohou vztahovat vývozní opatření v různých zemích nebo regionech včetně, mimo jiné, Spojených států, Evropské unie, Spojeného království a dalších členských států Wassenaarského ujednání. Máte-li v úmyslu přenášet, exportovat nebo opětovně exportovat výrobky termální řady mezi různými zeměmi, obraťte se na profesionálního právníka, odborníka v oblasti dodržování předpisů nebo místní úřady, aby vám sdělili všechny nezbytné licenční požadavky pro export.

Slovenčina

1. Stručný opis

Termografický objektiv je vybavený vysoko citlivým infračerveným

detektorom a využíva pokročilú technológiu tepelného zobrazovania na získanie jasného výhľadu pri zlej viditeľnosti alebo v tmavom prostredí. Pomáha sledovať cieľ a merať vzdialenosť. Pomáha sledovať cieľ a merať vzdialenosť. Zariadenie má široké využitie vyhľadávani a záchrane osôb, love atď.

Zariadenie môže snímať snímky, zaznamenávať videá a nastavovať parametre pomocou aplikácie HIKMICRO Sight po pripojení k telefónu prostredníctvom prístupového bodu. Vyhľadajte si aplikáciu HIKMICRO Sight v obchode App Store (systém iOS) alebo Google Play™ (systém Android) a stiahnite si ju alebo naskenovaním QR kódu si aplikáciu stiahnite a nainštalujte.



Systém Android



Systém iOS

Frekvenčné pásma a režimy a nominálne limity prenášanej energie (vyžarovanej alebo vedenej), ktoré sa vzťahujú na toto vysielacie zariadenie, sú nasledujúce:

Wi-Fi 2,4 GHz (2,4 GHz až 2,4835 GHz)	20 dBm
---------------------------------------	--------

2. Vzhľad

Existujú dva typy termografických objektívov. Na referenčné účely použite skutočný výrobok. Tlačidlá, súčasti a rozhranie dvoch typov termografických objektívov sú rovnaké.

Komponenty a rozhranie (strana 1 – A)

Číslo	Komponent	Funkcia
1	Kláves napájania	<ul style="list-style-type: none">● Stlačenie: pohotovostný režim/prebudenie zariadenia● Podržanie: zapnutie/vypnutie
2	Kláves merania	<ul style="list-style-type: none">● Stlačenie: meranie vzdialenosti laserom● Podržanie: snímanie

3	Koliesko	<ul style="list-style-type: none"> ● Stlačenie: prepnutie paliet ● Podržanie: používanie ponuky ● Otočenie: prepnutie digitálneho priblíženia
4	Kryt objektívu	Ochrana objektívu.
5	Zaostrovací krúžok	Úprava pohľadu.
6	Laserový diaľkomer	Meranie vzdialenosti pomocou laseru.
7	Priestor na batérie	Vložte doň batériu.
8	Fixačný krúžok	Pripevnenie očnice.
9	Očnica	Sledovanie cieľa.
10	Rozhranie na výmenu údajov	Pripojenie výstupného kábla.

Kombinácia klávesov

Číslo	Kombinácia	Funkcia
2 + 3	Kláves merania + koliesko	Súčasným stlačením spustíte alebo zastavíte nahrávanie.
1 + 2 + 3	Kláves napájania + kláves merania + koliesko	Súčasným stlačením prejdete do skrytej ponuky.

3. Inštalácia batérie (strana 3 – B)

Kroky

1. Uvoľnite kryt batérie jeho otáčaním proti smeru hodinových ručičiek.
2. Vložte batérie do priečinka na batérie označením kladnej polarita smerom dovnútra.
3. Utiahnite kryt batérie otočením v smere hodinových ručičiek.

Poznámka: Ak nebudete zariadenie dlhšiu dobu používať, vyberte z neho batérie.

4. Inštalácia koľajničky (strana 4 – C)

Kroky

1. Zariadenie nainštalujte na koľajničku podľa vyobrazenia čiernej šípky.
2. Vložte a utiahnite skrutky.
3. Utiahnutím páčok zaistite zariadenie.

Poznámka:

- Najskôr vypnite zariadenie.
- Na čistenie základne zariadenia a koľajničky použite bezprašnú handričku.

5. Pripojenie zariadenia (strana 5 – E)

Kroky

1. Zapnite zariadenie a skontrolujte, či je funkcia prístupového bodu vypnutá.
2. Zdvihnite kryt rozhrania na výmenu údajov.
3. Pripojte zariadenie a napájací adaptér s káblom typu C na napájanie zariadenia. Prípadne pripojte zariadenie k počítaču, aby bolo možné exportovať súbory.

Návod na používanie



Právne informácie

©2022 Hangzhou Microimage Software Co., Ltd. Všetky práva vyhradené.

Informácie o tomto návode

Táto príručka obsahuje pokyny na používanie a správu produktu. Obrázky, grafy, nákresy a všetky ďalšie informácie, ktoré sú v ňom uvedené, slúžia len na opis a vysvetlenie. Informácie uvedené v návode sa môžu zmeniť bez predchádzajúceho upozornenia v dôsledku aktualizácií firmvéru alebo iných príčin. Najnovšiu verziu tejto príručky nájdete na webovej lokalite HIKMICRO (www.hikmicrotech.com/).

Používajte tento návod v súlade s pokynmi a radami odborníkov, ktorí sú vyškolení na obsluhu produktu.

Potvrdenia o ochranných známkach

 **HIKMICRO** a iné ochranné známky a logá spoločnosti HIKMICRO sú vlastníctvom spoločnosti HIKMICRO v rôznych jurisdikciách.

Iné ochranné známky a logá sú vlastníctvom príslušných majiteľov.

PRÁVNE VYHLÁSENIE O VYLÚČENÍ ZODPOVEDNOSTI

V MAXIMÁLNO M MOŽNOM ROZSAHU, KTORÝ POVOĽUJÚ PRÍSLUŠNÉ PRÁVNE PREDPISY, SA TÁTO PRÍRUČKA A OPÍSANÝ PRODUKT SPOLU S JEHO HARDVÉROM, SOFTVÉROM A FIRMVÉROM, DODÁVAJÚ V STAVE „AKO SÚ“ A „SO VŠETKÝMI PORUCHAMI A CHYBAMI“. SPOLOČNOSŤ HIKMICRO NEPOSKYTUJE ŽIADNE VÝSLOVNÉ ANI PREDPOKLADANÉ ZÁRUKY, OKREM INÉHO O PREDAJNOSTI, USPOKOJIVEJ KVALITE ALEBO VHODNOSTI NA KONKRÉTNY ÚČEL. POUŽÍVANIE PRODUKTU JE NA VAŠE VLASTNÉ RIZIKO. SPOLOČNOSŤ HIKMICRO V ŽIADNOM PRÍPADE NENESIE ZODPOVEDNOSŤ ZA ŽIADNE OSOBITNÉ, NÁSLEDNÉ, NÁHODNÉ ALEBO NEPRIAME ŠKODY, OKREM INÉHO VRÁTANE ŠKÔD Z UŠLÉHO PODNIKATEĽSKÉHO ZISKU, PRERUŠENIA PODNIKANIA, STRATY ÚDAJOV, POŠKODENIA SYSTÉMOV ALEBO STRATY DOKUMENTÁCIE, ČI UŽ NA ZÁKLADE PORUŠENIA ZMLUVY, PREČINU (VRÁTANE NEDBALOSTI), ZODPOVEDNOSTI ZA PRODUKT ALEBO INAK V SÚVISLOSTI S POUŽÍVANÍM PRODUKTU, A TO ANI V PRÍPADE, AK BOLA SPOLOČNOSŤ HIKMICRO UPOZORNENÁ NA MOŽNOSŤ TAKÝCHTO ŠKÔD.

UZNÁVATE, ŽE Z POVAHY INTERNETU VYPLÝVAJÚ INHERENTNÉ BEZPEČNOSTNÉ RIZIKÁ A SPOLOČNOSŤ HIKMICRO NENESIE ŽIADNU ZODPOVEDNOSŤ ZA NEŠTANDARDNÚ PREVÁDZKU, ÚNIK OSOBNÝCH ÚDAJOV ANI ZA INÉ ŠKODY V DÔSLEDKU KYBERNETICKÉHO ÚTOKU, HAKERSKÉHO ÚTOKU, VÍRUSOVEJ INFEKCIE ALEBO INÝCH BEZPEČNOSTNÝCH RIZÍK SIETE INTERNET; V PRÍPADE POTREBY VŠAK SPOLOČNOSŤ HIKMICRO POSKYTNE VČASNÚ TECHNICKÚ PODPORU. SÚHLASÍTE S POUŽÍVANÍM TOHTO PRODUKTU V SÚLADE SO VŠETKÝMI PRÍSLUŠNÝMI ZÁKONMI A NESIETE VÝHRADNÚ ZODPOVEDNOSŤ ZA ZABEZPEČENIE, ABY VAŠE POUŽÍVANIE BOLO V SÚLADE S PRÍSLUŠNÝMI ZÁKONMI. STE OBZVLÁŠŤ ZODPOVEDNÍ ZA POUŽÍVANIE TOHTO PRODUKTU SPÔSOBOM, KTORÝ NEPORUŠUJE PRÁVA TRETÍCH STRÁN, OKREM INÉHO PRÁVA PUBLICITY, PRÁVA DUŠEVNÉHO VLASTNÍCTVA, PRÁVA NA OCHRANU ÚDAJOV A INÉ PRÁVA NA OCHRANU SÚKROMIA. Tento produkt nesmiete používať na nezákonný lov zvierat, narušovanie súkromia iných, ani na žiadny iný účel, ktorý je nezákonný alebo poškodzuje verejný záujem. TENTO PRODUKT NESMIETE POUŽÍVAŤ NA ŽIADNE ZAKÁZANÉ ÚČELY VRÁTANE VÝVOJA ALEBO VÝROBY ZBRANÍ HROMADNÉHO NIČENIA, VÝVOJA ALEBO VÝROBY CHEMICKÝCH ALEBO BIOLOGICKÝCH ZBRANÍ, AKÝCHKOL'VEK AKTIVÍT V SÚVISLOSTI S AKOUKOL'VEK JADROVOU VÝBUŠNINOU ALEBO NEBEZPEČNÝM CYKLOM JADROVÉHO PALIVA, ALEBO NA PODPORU ZNEUŽÍVANIA ĽUDSKÝCH PRÁV.

V PRÍPADE AKÉHOKOĽVEK NESÚLADU MEDZI TOUTO PRÍRUČKOU A PRÍSLUŠNÝMI PRÁVNÝMI PREDPISMI MAJÚ PREDNOSŤ PRÍSLUŠNÉ PRÁVNE PREDPISY.

Regulačné informácie

Vyhlásenie o súlade s predpismi EÚ



Tento produkt a dodané príslušenstvo, ak je to relevantné, sú takisto označené značkou „CE“, takže sú v súlade s príslušnými harmonizovanými európskymi normami uvedenými v smernici 2014/53/EÚ (RED), smernici 2014/30/EÚ (EMCD), smernici 2014/35/EÚ (LVD) smernici 2011/65/EÚ (RoHS).



Smernica 2012/19/EÚ (smernica o odpade z elektrických a elektronických zariadení): Produkty označené týmto symbolom sa v rámci Európskej únie nesmú likvidovať spolu s netriedeným komunálnym odpadom. Po zakúpení ekvivalentného nového zariadenia zrecyklujte produkt tým, že ho odovzdáte miestnemu dodávateľovi alebo ho zlikvidujete na určených zberných miestach. Ďalšie informácie nájdete na: www.recyclethis.info.



Smernica 2006/66/EC a príslušné doplnenia 2013/56/EÚ (smernica o batériách): Tento produkt obsahuje batériu, ktorá sa v rámci Európskej únie nesmie likvidovať spolu s netriedeným komunálnym odpadom. Konkrétne informácie o batérii nájdete v dokumentácii produktu. Batéria je označená týmto symbolom, ktorý môže obsahovať písmená označujúce obsah kadmia (Cd), olova (Pb) alebo ortuti (Hg). Zrecyklujte batériu tým, že ju odovzdáte dodávateľovi alebo ju zlikvidujete na určenom zbernom mieste. Ďalšie informácie nájdete na: www.recyclethis.info.

Bezpečnostné pokyny

Tieto pokyny slúžia na zabezpečenie správneho používania produktu používateľom s cieľom predchádzať vzniku nebezpečenstva alebo majetkovým stratám.

Právne predpisy a nariadenia

- Používanie produktu musí byť v prísnom súlade s miestnymi elektroinštalačnými bezpečnostnými predpismi.

Preprava

- Pri preprave ponechajte zariadenie v pôvodnom alebo podobnom

balení.

- Po rozbalení si všetky obaly odložte na budúce použitie. V prípade výskytu poruchy bude potrebné, aby ste zariadenie vrátili do výrobcovi v pôvodnom obale.
- Pri preprave bez pôvodného obalu môže dôjsť k poškodeniu zariadenia a spoločnosť za to nebude niesť žiadnu zodpovednosť.
- Chráňte zariadenie pred pádom alebo nárazom. Zariadenie chráňte pred magnetickým rušením.

Zdroj napájania

- Adaptér si zakúpte samostatne. Vstupné napätie musí spĺňať podmienky veľmi nízkeho napätia (5 V jednosmerný prúd, 2 A) podľa normy IEC61010-1. Podrobné informácie nájdete v technických špecifikáciách.
- Používajte napájací adaptér dodaný oprávneným výrobcom. Podrobné požiadavky na napájanie nájdete v technických údajoch produktu.
- Nabíjačka batérií je súčasťou balenia. Vstupné napätie dodávanej nabíjačky batérií musí spĺňať podmienky obmedzeného zdroja napájania (5 V jednosmerný prúd, 2 A).
- Skontrolujte, či je zástrčka správne pripojená k napájacej zásuvke.
- K jednému napájacímu adaptéru NEPRIPÁJAJTE viacero zariadení, aby nedošlo k prehriatiu alebo riziku požiaru v dôsledku preťaženia.
- Zdroj napájania musí spĺňať požiadavky obmedzeného zdroja napájania alebo PS2 podľa normy IEC 60950-1 alebo IEC 62368-1.

Batéria

- Nesprávne používanie alebo výmena batérie môžu viesť k nebezpečenstvu výbuchu. Batériu nahrádzajte iba rovnakým alebo ekvivalentným typom.
- Používajte batériu dodanú kvalifikovaným výrobcom. Podrobné požiadavky na batériu nájdete v špecifikácii výrobku.
- Typ batérie je 18650 s ochranným panelom a veľkosť batérie musí byť 19 mm × 70 mm. Menovité napätie a kapacita sú 3,6 V jednosmerný prúd/3,35 Ah (12,06 Wh). Použité batérie zlikvidujte podľa pokynov výrobcu batérie.
- Pri nabíjaní zabezpečte, aby teplota batérie bola 0 °C až 45 °C (32 °F až 113 °F).
- Pri dlhodobom uskladnení batériu každý polrok úplne nabite, čím zaistíte jej kvalitu. V opačnom prípade môže dôjsť k poškodeniu.
- S dodanou nabíjačkou nenabíjajte iné typy batérií. Počas nabíjania skontrolujte, či sa do 2 m od nabíjačky nenachádza žiadny horľavý materiál.
- Batériu NEDÁVAJTE do blízkosti zdrojov tepla alebo ohňa. Vyvarujte sa priameho slnečného žiarenia.

- Batériu NEDÁVAJTE do dosahu detí.
- Batériu nie je možné priamo nabíjať externým zdrojom napájania.
- Zariadenie nemožno nabíjať. Na nabíjanie batérie používajte dodanú nabíjačku.

Údržba

- Ak produkt nepracuje správne, obráťte sa na predajcu alebo na najbližšie servisné stredisko. Nepreberáme žiadnu zodpovednosť za problémy spôsobené neoprávnenou opravou alebo údržbou.
- V prípade potreby zariadenie jemne utrite čistou handričkou a malým množstvom etanolu.
- Ak sa zariadenie používa spôsobom, ktorý výrobca neuvádza, môže dôjsť k zníženiu ochrany poskytovanej zariadením.

Prevádzkové prostredie

- Zabezpečte, aby prevádzkové prostredie spĺňalo požiadavky zariadenia. Prevádzková teplota musí byť -30 °C až 55 °C (-22 °F až 131 °F) a vlhkosť musí byť 5 % až 95 %.
- Zariadenie umiestnite v suchom a dobre vetranom prostredí.
- Zariadenie NEVYSTAVUJTE silnému elektromagnetickému žiareniu ani prašnému prostrediu.
- Šošovkou NEMIERTE na slnko ani na žiadny iný silný zdroj svetla.
- Pri používaní akéhokoľvek laserového vybavenia zabezpečte, aby objektív zariadenia nebol vystavený laserovému lúču, inak sa môže vypáliť.

Núdzový režim

- Ak zo zariadenia vychádza dym, zápach alebo hluk, ihneď vypnite napájanie, odpojte napájací kábel a obráťte sa na servisné stredisko.

Laser



Pri používaní akéhokoľvek laserového vybavenia zabezpečte, aby objektív zariadenia nebol vystavený laserovému lúču, inak sa môže vypáliť. Laserové žiarenie vysielané zo zariadenia môže spôsobiť zranenie očí, popálenie pokožky alebo zapálenie horľavých látok. Pred zapnutím funkcie dodatočného osvetlenia skontrolujte, či sa pred laserovou šošovkou nenachádza žiadna osoba ani horľavá látka. Zariadenie uchovávajte mimo dosahu detí.

Adresa výrobcu

Miestnosť 313, Krídlo B, Budova 2, Ulica Danfeng 399, Obvod Xixing, Okres Binjiang, Hangzhou, Zhejiang 310052, Čína

Hangzhou Microimage Software Co., Ltd.

POZNÁMKA O SÚLADE S PREDPISMI: Produkty z radu teplocitlivých prístrojov môžu podliehať exportnej regulácii v rôznych krajinách alebo regiónoch vrátane napríklad Spojených štátov amerických, Európskej únie, Spojeného kráľovstva prípadne aj krajín Wassenaarskeho usporiadania. Ak máte v úmysle prenášať, exportovať alebo re-exportovať produkty z radu teplocitlivých prístrojov cez hranice medzi rôznymi krajinami, poraďte sa so svojim odborným expertom na legislatívu alebo súlad s predpismi alebo miestnymi úradmi verejnej správy, či existuje povinnosť mať exportné povolenie.

Polski

1. Opis urządzenia

W lunecie termowizyjnej zastosowano detektor podczerwieni o dużej czułości i zaawansowaną technologię obrazowania termograficznego, umożliwiającą uzyskanie wyraźnego obrazu przy ograniczonej widoczności lub słabym oświetleniu. Ułatwia to obserwowanie celu i pomiar odległości. Ułatwia to obserwowanie celu i pomiar odległości. Urządzenia można używać na przykład podczas akcji poszukiwawczej lub ratowniczej albo polowania.

Urządzenie umożliwia wykonywanie zdjęć, nagrywanie wideo i konfigurowanie ustawień przy użyciu aplikacji HIKMICRO Sight po połączeniu z telefonem przy użyciu punktu dostępu. Aby pobrać i zainstalować tę aplikację, wyszukaj „HIKMICRO Sight” w witrynie internetowej App Store (system iOS) lub Google Play™ (system Android) albo zeskanuj kod QR.



System Android



System iOS

Pasma i tryby częstotliwości oraz dopuszczalne wartości graniczne znamionowej mocy promieniowanej (transmisja i/lub przewodzenie) tego urządzenia radiowego są następujące:

2. Elementy urządzenia

Dostępne są dwa modele lunet termowizyjnych.

Skorzystaj z dokumentacji danego produktu. Przyciski, elementy i interfejs są identyczne w przypadku obu modeli kamer termowizyjnych.

Interfejs i elementy (str. 1 – A)

Nr	Elementy	Funkcja
1	Przycisk zasilania	<ul style="list-style-type: none"> ● Naciśnięcie: tryb gotowości / uaktywnianie urządzenia ● Naciśnięcie i przytrzymanie: włączanie/wyłączanie zasilania
2	Przycisk pomiarów	<ul style="list-style-type: none"> ● Naciśnięcie: pomiar odległości przy użyciu lasera ● Naciśnięcie i przytrzymanie: wykonanie zdjęcia
3	Pokrętło	<ul style="list-style-type: none"> ● Naciśnięcie: przełączanie palet ● Naciśnięcie i przytrzymanie: obsługa menu ● Obrót: przełączanie powiększenia cyfrowego
4	Ośłona obiektywu	Ochrona obiektywu.
5	Pierścień regulacji ostrości	Dostosowanie widoku.
6	Dalmierz laserowy	Pomiar odległości przy użyciu lasera
7	Zasobnik na baterie	Instalowanie baterii.
8	Pierścień mocujący	Mocowanie okularu.
9	Okular	Obserwacja celu.
10	Złącze do przesyłania danych	Podłączanie przewodu wyjściowego.

Kombinacje przycisków

Nr	Kombinacja	Funkcja
2 + 3	Przycisk pomiaru + pokrętło	Równoczesne naciśnięcie powoduje rozpoczęcie lub zatrzymanie nagrywania.
1 + 2 + 3	Przycisk zasilania + przycisk pomiaru + pokrętło	Równoczesne naciśnięcie powoduje wyświetlenie menu.

3. Instalowanie baterii (str. 3 – B)

Procedura

1. Obróć pokrywę baterii przeciwnie do kierunku ruchu wskazówek zegara, aby ją poluzować.
2. Umieść baterię w zasobniku, tak aby biegun dodatni był skierowany do wnętrza urządzenia.
3. Obróć pokrywę baterii zgodnie z kierunkiem ruchu wskazówek zegara, aby ją dokręcić.

Uwaga: jeżeli urządzenie nie będzie używane przez dłuższy czas, należy wyjąć z niego baterie.

4. Instalowanie na szynie montażowej (str. 4 – C)

Procedura

1. Zainstaluj urządzenie na szynie montażowej zgodnie z czarną strzałką.
2. Włóż i dokręć śruby.
3. Zamknij zaciski, aby przymocować urządzenie.

Uwaga:

- Najpierw wyłącz urządzenie.
- Oczyszcz podstawę urządzenia i szynę montażową niepylącą ściereczką.

5. Podłączanie urządzenia (str. 5 – E)

Procedura

1. Włącz urządzenie i upewnij się, że punkt dostępu jest wyłączony.
2. Podnieś pokrywę złącza do przesyłania danych.
3. Podłącz zasilacz do urządzenia przewodem Type-C, aby zapewnić zasilanie urządzenia. Można też podłączyć urządzenie do komputera w celu eksportowania plików.

Podręcznik użytkownika



Informacje prawne


©2022 Hangzhou Microimage Software Co., Ltd. Wszelkie prawa zastrzeżone.

Opis podręcznika

Podręcznik zawiera instrukcje dotyczące korzystania z produktu i obchodzenia się z nim. Zdjęcia, rysunki, wykresy i pozostałe informacje zamieszczono w tym dokumencie wyłącznie dla celów informacyjnych i opisowych. Informacje zamieszczone w podręczniku mogą ulec zmianie bez powiadomienia w związku z aktualizacjami oprogramowania układowego lub w innych okolicznościach. Najnowsza wersja tego podręcznika jest dostępna w witrynie internetowej firmy HIKMICRO (www.hikmicrotech.com).

Oprócz tego podręcznika należy korzystać z porad specjalistów z działu pomocy technicznej związanej z produktem.

Znaki towarowe

 **HIKMICRO** i inne znaki towarowe oraz logo HIKMICRO są własnością firmy HIKMICRO w różnych jurysdykcjach.

Inne znaki towarowe i logo użyte w podręczniku należą do odpowiednich właścicieli.

ZASTRZEŻENIA PRAWNE

W PEŁNYM ZAKRESIE DOZWOLONYM PRZEZ OBOWIĄZUJĄCE PRAWO TEN PODRĘCZNIK, OPISANY PRODUKT I ZWIĄZANE Z NIM WYPOSAŻENIE ORAZ OPROGRAMOWANIE APLIKACYJNE I UKŁADOWE SĄ UDOSTĘPNIANE BEZ GWARANCJI. FIRMA HIKMICRO NIE UDZIELA ŻADNYCH WYRAŻNYCH ANI DOROZUMIANYCH GWARANCJI, TAKICH JAK GWARANCJE DOTYCZĄCE PRZYDATNOŚCI HANDLOWEJ, JAKOŚCI LUB PRZYDATNOŚCI DO OKREŚLONEGO CELU. UŻYTKOWNIK KORZYSTA Z PRODUKTU NA WŁASNE RYZYKO. NIEZALEŻNIE OD OKOLICZNOŚCI FIRMA HIKMICRO NIE PONOSI ODPOWIEDZIALNOŚCI ZA STRATY SPECJALNE, NASTĘPCZE, UBOCZNE LUB POŚREDNIE, TAKIE JAK STRATA OCZEKIWANYCH ZYSKÓW Z DZIAŁALNOŚCI BIZNESOWEJ, PRZERWY W DZIAŁALNOŚCI BIZNESOWEJ, USZKODZENIE SYSTEMÓW ALBO STRATA DANYCH LUB DOKUMENTACJI, WYNIKAJĄCE Z NARUSZENIA UMOWY, PRZEWINIENIA (ŁĄCZNIE Z ZANIEDBANIEM), ODPOWIEDZIALNOŚCI ZA PRODUKT LUB INNYCH

OKOLICZNOŚCI, ZWIĄZANE Z UŻYCIEM TEGO PRODUKTU, NAWET JEŻELI FIRMA HIKMICRO ZOSTAŁA POINFORMOWANA O MOŻLIWOŚCI WYSTĄPIENIA TAKICH SZKÓD LUB STRAT.

UŻYTKOWNIK PRZYJMUJE DO WIADOMOŚCI, ŻE KORZYSTANIE Z INTERNETU JEST ZWIĄZANE Z ZAGROŻENIAMI DLA BEZPIECZEŃSTWA, A FIRMA HIKMICRO NIE PONOSI ODPOWIEDZIALNOŚCI ZA NIEPRAWIDŁOWE FUNKCJONOWANIE, WYCIEK POUFNYCH INFORMACJI LUB INNE SZKODY WYNIKAJĄCE Z ATAKU CYBERNETYCZNEGO, ATAKU HAKERA, DZIAŁANIA WIRUSÓW LUB INNYCH ZAGROŻEŃ DLA BEZPIECZEŃSTWA W INTERNECIE. FIRMA HIKMICRO ZAPEWNI JEDNAK TERMINOWĄ POMOC TECHNICZNĄ, JEŻELI BĘDZIE TO WYMAGANE.

UŻYTKOWNIK ZOBOWIĄZUJE SIĘ DO KORZYSTANIA Z PRODUKTU ZGODNIE Z PRZEPISAMI I PRZYJMUJE DO WIADOMOŚCI, ŻE JEST ZOBOWIĄZANY DO ZAPEWNIENIA ZGODNOŚCI UŻYCIA PRODUKTU Z PRZEPISAMI.

W SZCZEGÓLNOŚCI UŻYTKOWNIK JEST ZOBOWIĄZANY DO KORZYSTANIA Z PRODUKTU W SPOSÓB, KTÓRY NIE NARUSZA PRAW STRON TRZECICH, DOTYCZĄCYCH NA PRZYKŁAD WIZERUNKU KOMERCYJNEGO, WŁASNOŚCI INTELEKTUALNEJ LUB OCHRONY DANYCH I PRYWATNOŚCI. Zabronione jest użycie tego produktu do nielegalnego polowania na zwierzęta, w sposób naruszający prywatność osób albo do innych celów uznawanych za nielegalne lub szkodliwe dla ludzi. UŻYTKOWNIK NIE BĘDZIE UŻYWAĆ PRODUKTU DO CELÓW ZABRONIONYCH, TAKICH JAK OPRACOWANIE LUB PRODUKCJA BRONI MASOWEGO RAŻENIA ALBO BRONI CHEMICZNEJ LUB BIOLOGICZNEJ ORAZ DZIAŁANIA ZWIĄZANE Z WYBUCHOWYMI MATERIAŁAMI NUKLEARNYMI, NIEBEZPIECZNYM CYKLEM PALIWOWYM LUB ŁAMANIEM PRAW CZŁOWIEKA.

W PRZYPADKU NIEZGODNOŚCI NINIEJSZEGO PODRĘCZNIKA Z OBOWIĄZUJĄCYM PRAWEM, WYŻSZY PRIORYTET BĘDZIE MIAŁO OBOWIĄZUJĄCE PRAWO.

Informacje dotyczące przepisów

Deklaracja zgodności z dyrektywami Unii Europejskiej



Ten produkt i ewentualnie dostarczone razem z nim akcesoria oznaczono symbolem „CE” potwierdzającym zgodność z odpowiednimi ujednoliconymi normami europejskimi, uwzględnionymi w dyrektywie 2014/53/EU w sprawie udostępniania na rynku urządzeń radiowych (RED), dyrektywie 2014/30/EU dotyczącej kompatybilności elektromagnetycznej (EMCD), dyrektywie 2014/35/EU dotyczącej sprzętu elektrycznego przewidzianego do stosowania w określonych granicach napięcia (LVD) i dyrektywie 2011/65/EU w sprawie ograniczenia stosowania

niektórych niebezpiecznych substancji w sprzęcie elektrycznym (RoHS).



Dyrektywa 2012/19/EU w sprawie zużytego sprzętu elektrycznego i elektronicznego (WEEE):

Produktów oznaczonych tym symbolem nie wolno utylizować na obszarze Unii Europejskiej jako niesegregowane odpady komunalne. Aby zapewnić prawidłowy recykling tego produktu, należy zwrócić go do lokalnego dostawcy przy zakupie równoważnego nowego urządzenia lub utylizować go w wyznaczonym punkcie selektywnej zbiórki odpadów. Aby uzyskać więcej informacji, skorzystaj z witryny internetowej www.recyclethis.info.



Dyrektywa 2006/66/EC w sprawie baterii i akumulatorów i zmieniająca ją dyrektywa 2013/56/EU: Ten produkt zawiera baterię, której nie wolno utylizować na obszarze Unii Europejskiej jako niesegregowane odpady komunalne.

Szczegółowe informacje dotyczące baterii zamieszczono w dokumentacji produktu. Bateria jest oznaczona tym symbolem, który może także zawierać litery wskazujące na zawartość kadmu (Cd), ołowiu (Pb) lub rtęci (Hg).

Aby zapewnić prawidłowy recykling baterii, należy zwrócić ją do dostawcy lub przekazać do wyznaczonego punktu zbiórki. Aby uzyskać więcej informacji, skorzystaj z witryny internetowej www.recyclethis.info.

Zalecenia dotyczące bezpieczeństwa

Te zalecenia pozwalają prawidłowo korzystać z produktu i zapobiec zagrożeniu użytkowników lub zniszczeniu wyposażenia.

Przepisy i rozporządzenia

- Produkt powinien być użytkowany zgodnie z lokalnymi rozporządzeniami dotyczącymi bezpiecznego korzystania z urządzeń elektrycznych.

Transport

- Podczas transportu urządzenie powinno być umieszczone w oryginalnym lub podobnym opakowaniu.
- Należy zachować opakowanie urządzenia. W przypadku wystąpienia usterki urządzenia należy zwrócić je do zakładu produkcyjnego w oryginalnym opakowaniu.
- Producent nie ponosi odpowiedzialności za uszkodzenie urządzenia na skutek transportu bez oryginalnego opakowania.
- Należy chronić urządzenie przed upadkiem lub udarami mechanicznymi.

Należy chronić urządzenie przed zakłóceniami magnetycznymi.

Zasilanie

- Zasilacz należy zakupić oddzielnie. Napięcie wejściowe powinno spełniać wymagania dotyczące źródeł zasilania z własnym ograniczeniem (LPS; 5 V DC / 2 A) zgodnie z normą IEC61010-1. Szczegółowe informacje zamieszczono w sekcji zawierającej dane techniczne.
- Należy korzystać z zasilacza dostarczonego przez wykwalifikowanego producenta. Aby uzyskać więcej informacji dotyczących wymaganego zasilania, należy skorzystać ze specyfikacji produktu.
- Ładowarkę baterii uwzględniono w pakiecie z produktem. Napięcie wejściowe dla ładowarki baterii, dostarczonej razem z urządzeniem, powinno być zgodne z wymaganiami dotyczącymi źródeł zasilania z własnym ograniczeniem (LPS, Limited Power Source) (5 V DC / 2 A).
- Należy upewnić się, że wtyczka jest prawidłowo podłączona do gniazda sieci elektrycznej.
- NIE wolno podłączać wielu urządzeń do jednego zasilacza, ponieważ może to spowodować przegrzanie lub zagrożenie pożarowe na skutek przeciążenia.
- Źródło zasilania powinno spełniać wymagania dotyczące źródeł zasilania z własnym ograniczeniem (LPS) lub wymagania PS2 zgodnie z normą IEC60950-1 lub IEC62368-1.

Bateria

- Nieprawidłowe użycie lub wymiana baterii może spowodować wybuch. Baterie należy wymieniać tylko na baterie tego samego typu lub ich odpowiedniki.
- Należy korzystać z baterii dostarczanych przez markowego producenta. Aby uzyskać więcej informacji dotyczących wymaganej baterii, należy skorzystać ze specyfikacji produktu.
- Wymagana jest bateria typu 18650 z płytą zabezpieczającą o wymiarach 19 mm x 70 mm, napięciu znamionowym 3,6 V DC i pojemności 3,35 Ah (12,06 Wh). Zużyte baterie należy utylizować zgodnie z zaleceniami producenta.
- Podczas ładowania temperatura baterii powinna należeć do zakresu od 0°C do 45°C.
- Jeżeli bateria jest przechowywana przez dłuższy czas, należy naładować ją całkowicie co pół roku, aby zapewnić jej prawidłowy stan techniczny. Ignorowanie tego zalecenia może spowodować uszkodzenie.
- Nie wolno ładować baterii innego typu przy użyciu ładowarki dostarczonej razem z urządzeniem. Należy upewnić się, że żadne palne materiały nie znajdują się w promieniu dwóch metrów od ładowarki

podczas ładowania.

- NIE wolno umieszczać baterii w pobliżu źródeł ciepła lub ognia. Należy chronić urządzenie przed bezpośrednim światłem słonecznym.
- NIE wolno umieszczać baterii w miejscu dostępnym dla dzieci.
- Nie można ładować baterii bezpośrednio z zewnętrznego źródła zasilania.
- Nie można ładować baterii zainstalowanych w urządzeniu. Baterię należy ładować przy użyciu ładowarki dostarczonej w pakiecie z produktem.

Konserwacja

- Jeżeli produkt nie działa prawidłowo, skontaktuj się z dystrybutorem lub najbliższym centrum serwisowym. Producent nie ponosi odpowiedzialności za problemy spowodowane przez nieautoryzowane prace naprawcze lub konserwacyjne.
- Należy przetrzeć urządzenie ostrożnie czystą ściereczką zwilżoną niewielką ilością etanolu, jeżeli jest to konieczne.
- Użycie urządzenia niezgodnie z zaleceniami może spowodować anulowanie gwarancji producenta.

Warunki otoczenia

- Należy upewnić się, że warunki otoczenia spełniają wymagania określone przez producenta urządzenia. Podczas użytkowania urządzenia temperatura otoczenia powinna wynosić od -30°C do 55°C , a wilgotność powinna wynosić od 5% do 95%.
- Urządzenie należy umieścić w suchym i odpowiednio wentylowanym miejscu.
- Należy chronić urządzenie przed silnym promieniowaniem elektromagnetycznym oraz kurzem i pyłem.
- NIE wolno kierować obiektywu w stronę słońca ani innego źródła intensywnego światła.
- Jeżeli używane jest wyposażenie laserowe, należy upewnić się, że obiektyw urządzenia nie jest oświetlany przez wiązkę lasera, ponieważ może to spowodować jego spalanie.

Poważne awarie

- Jeżeli urządzenie wydziela dym lub intensywny zapach albo emituje hałas, należy niezwłocznie wyłączyć zasilanie i odłączyć przewód zasilający, a następnie skontaktować się z centrum serwisowym.

Laser



Jeżeli używane jest wyposażenie laserowe, należy upewnić się, że obiekt urządzenia nie jest oświetlany przez wiązkę lasera, ponieważ może to spowodować jego spalenie. Promieniowanie laserowe emitowane przez urządzenie może spowodować zranienie oczu, oparzenie skóry lub zapłon substancji palnych. Przed włączeniem oświetlenia pomocniczego należy upewnić się, że żadne osoby lub substancje palne nie znajdują się na ścieżce wiązki laserowej. Nie wolno umieszczać urządzenia w miejscu dostępnym dla dzieci.

Adres producenta

Lokal 313, Jednostka B, Budynek 2, Ulica 399 Danfeng, Region dystryktu Xixing, Dystrykt Binjiang, Hangzhou, Zhejiang 310052, Chiny
Hangzhou Microimage Software Co., Ltd.

UWAGA DOTYCZĄCA ZGODNOŚCI Z PRZEPISAMI: Produkty termowizyjne mogą podlegać kontroli eksportu w różnych krajach lub regionach, takich jak Stany Zjednoczone, Wielka Brytania lub kraje członkowskie Unii Europejskiej, które sygnowały porozumienie Wassenaar. Jeżeli planowane jest przesyłanie, eksportowanie lub reeksportowanie produktów termowizyjnych przez granice państw, należy skonsultować się z ekspertem w dziedzinie prawa lub zgodności z przepisami albo lokalnymi urzędami administracji państwowej, aby uzyskać informacje dotyczące wymaganej licencji eksportowej.

Magyar

1. Rövid leírás

Az éjjellátó távcső egy nagy érzékenyséű infravörös detektort tartalmaz, és fejlett hőképkészítő technológiával nyújt tiszta képet gyenge fényviszonyok közt vagy sötét környezetben. Lehetővé teszi a cél megtekintését, illetve a távolság bemérését. Lehetővé teszi a cél megtekintését, illetve a távolság bemérését. A készülék széles körben használható felkutatásra és mentésre, vadászati célokra, stb.

A készülékkel képernyőképek készíthetők és videók rögzíthetők, továbbá ha hotspoton keresztül mobiltelefonhoz csatlakoztatja, a HIKMICRO Sight alkalmazással a paramétereit is beállíthatók. A letöltéshez keresse meg a

HIKMICRO Sight alkalmazást az App Store-ban (iOS rendszer) vagy a Google Play™-en (Android rendszer), illetve olvassa be a QR-kódot a letöltéséhez és telepítéséhez.



Android rendszer



iOS rendszer

A jelen rádióberendezésre érvényes frekvenciasávok és módok, illetve a leadott teljesítmény (sugárzott és/vagy vezetett) névleges határértékei az alábbiak:

Wi-Fi 2,4 GHz (2,4 GHz - 2,4835 GHz)	20 dBm
--------------------------------------	--------

2. Külső megjelenés

Két típusú éjjellátó távcsőről beszélhetünk. Kérjük, a valós terméket tekintse vonatkozási alapnak. A két különböző típusú éjjellátó távcső vezérlőgombjai, komponensei és csatlakozófelületei azonosak.

A készülék részei és csatlakozói (Oldal: 1 – A)

Sz.	Összetevő	Funkció
1	Indítógomb	<ul style="list-style-type: none"> ● Nyomja meg: készenléti mód/eszköz aktiválása ● Tartsa lenyomva: tápellátás be/ki
2	Mérógomb	<ul style="list-style-type: none"> ● Lenyomva: lézeres távolságmérés ● Lenyomva tartva: rögzítés
3	Forgógomb	<ul style="list-style-type: none"> ● Nyomja le: palettaváltás ● Tartsa lenyomva: menüműveletek ● Forgassa el: digitális nagyítás váltása
4	Lencsevédő	A lencse védelmére szolgál.
5	Fókuszgyűrű	Beállítja a látásélességet.
6	Lézeres távolságmérő	Távolságmérés a lézer segítségével.

7	Akkumulátortartó rekesz	Ide szerelhető be az akkumulátor.
8	Rögzítőgyűrű	A nézőkét rögzíti.
9	Kereső	A célpont megtekintése.
10	Adatcsere-int erfész	A kimenő kábelek csatlakozófelülete.

Billentyűkombinációk

Sz.	Kombináció	Funkció
2 + 3	Mérőgomb + forgógomb	Nyomja le egyidejűleg a rögzítés indításához vagy leállításához.
1 + 2 + 3	Indítógomb + Mérőgomb + Forgógomb	Nyomja le egyidejűleg a rejtett menü megnyitásához.

3. Akkumulátor beszerelése (Oldal: 3 – B)

Lépések

1. A meglazításhoz fordítsa el az akkumulátorfedelelet óramutató járásával ellentétesen.
2. Helyezze be az akkumulátorokat az akkumulátortartó rekeszbe a pozitív jelzéssel befele.
3. A rögzítéshez fordítsa el az akkumulátorfedelelet az óramutató járásával megegyező irányba.

Megjegyzés: Ha az eszközt hosszú ideig nem használja, vegye ki az elemet.

4. Sín felszerelése (Oldal: 4 – C)

Lépések

1. Szerelje rá az eszközt a sínre a fekete nyilaknak megfelelően.
2. Helyezze be, és húzza meg a csavarokat.
3. Húzza meg a karokat a készülék rögzítéséhez.

Megjegyzés:

- A művelet előtt kapcsolja ki a készüléket.
- Tiszta törlőkendővel tisztítsa meg a készüléktalpat és a sánt.

5. A készülék csatlakoztatása (Oldal: 5 – E)

Lépések

1. Kapcsolja be a készüléket, és bizonyosodjon meg, hogy a „hotspot” funkció ki van kapcsolva.
2. Emelje fel az adatcsatlakozó fedelét.
3. A bekapcsoláshoz csatlakoztassa az eszközt az adapterhez C típusú USB-kábellel. Fájlok exportálása céljából csatlakoztassa az eszközt a számítógépre.

Felhasználói útmutató



Jogi információk

©2022 Hangzhou Microimage Software Co., Ltd. Minden jog fenntartva.
A Kézikönyvvel kapcsolatos tudnivalók

Az útmutató a termék használatára és kezelésére vonatkozó utasításokat tartalmaz. Az itt szereplő képek, diagramok, ábrák és minden további információ csupán leírásként és magyarázatként szolgál. A Kézikönyvben szereplő információk a firmware-frissítések és egyéb okok miatt előzetes értesítés nélkül változhatnak. A kézikönyv legújabb verzióját a HIKMICRO webhelyén találja (www.hikmicrotech.com/).

Az Útmutatót a termékkel kapcsolatos támogatáshoz megfelelő képesítéssel rendelkező szakemberek támogatásával és útmutatásával együtt használja.

Védjegnyilatkozat

 HIKMICRO és az egyéb HIKMICRO védjegyek, valamint logók a HIKMICRO tulajdonát képezik különféle joghatóságokban.

Az említett egyéb védjegyek és logók a megfelelő tulajdonosok tulajdonát képezik.

JOGI NYILATKOZAT

EZT A KÉZIKÖNYVET, VALAMINT A BENNE SZEREPLŐ TERMÉKET ANNAK HARDVER-, SZOFTVER-ÖSSZETEVŐIVEL ÉS FIRMWARE-ÉVEL EGYÜTT „EREDETI FORMÁBAN” BIZTOSÍTJUK, „BELEÉRTVE AZOK ÖSSZES ESETLEGES HIBÁJÁT”. A HIKMICRO NEM VÁLLAL SEM KIFEJEZETT, SEM TÖRVÉNY ÁLTAL VÉLELMEZETT JÓTÁLLÁST TÖBBEK KÖZÖTT – DE NEM KORLÁTOZVA

– A TERMÉK ÉRTÉKESÍTHETŐSÉGÉRE, MEGFELELŐ MINŐSÉGÉRE, VALAMINT ADOTT CÉLRA VALÓ ALKALMASSÁGÁRA. A TERMÉKET KIZÁRÓLAG SAJÁT FELELŐSSÉGÉRE HASZNÁLHATJA. A HIKMICRO SEMMILYEN ESETBEN SEM VÁLLAL FELELŐSSÉGET ÖN FELÉ SEMMILYEN KÜLÖNLEGES, KÖVETKEZMÉNYES, JÁRULÉKOS VAGY KÖZVETETT KÁRÉRT, BELEÉRTVE TÖBBEK KÖZÖTT A TERMÉK HASZNÁLATÁVAL ÖSSZEFÜGGÉSBEN AZ ÜZLETI HASZON ELVESZTÉSÉBŐL, AZ ÜZLETMENET MEGSZAKADÁSÁBÓL, VALAMINT AZ ADATOK VAGY DOKUMENTUMOK ELVESZTÉSÉBŐL EREDŐ KÁROKAT, TÖRTÉNJEN EZ SZERZŐDÉSSZEGÉS VAGY KÁROKOZÁS (BELEÉRTVE A GONDATLANSÁGOT) EREDMÉNYEKÉNT, MÉG AKKOR SEM, HA A HIKMICRO VÁLLALATOT TÁJÉKOZTATTÁK AZ ILYEN KÁROK BEKÖVETKEZÉSÉNEK LEHETŐSÉGÉRŐL.

ÖN TUDOMÁSUL VESZI, HOGY AZ INTERNET TERMÉSZETÉBŐL FAKADÓAN KOCKÁZATOKAT REJT, ÉS A HIKMICRO SEMMILYEN FELELŐSSÉGET NEM VÁLLAL A RENDELLENES MŰKÖDÉSÉRT, A SZEMÉLYES ADATOK KISZIVÁRGÁSÁÉRT VAGY MÁS OLYAN KÁROKÉRT, AMELYEKET KIBERTÁMADÁSOK, HACKERTÁMADÁSOK, VÍRUSFERTŐZÉSEK VAGY MÁS INTERNETES BIZTONSÁGI VESZÉLYEK OKOZTAK; A HIKMICRO AZONBAN KÉRÉSRE IDŐBEN MŰSZAKI TÁMOGATÁST NYÚJT.

ÖN ELFOGADJA, HOGY EZT A TERMÉKET KIZÁRÓLAG A VONATKOZÓ TÖRVÉNYI ELŐÍRÁSOK BETARTÁSÁVAL HASZNÁLJA, ÉS HOGY A VONATKOZÓ TÖRVÉNYEKNEK MEGFELELŐ HASZNÁLAT KIZÁRÓLAG AZ ÖN FELELŐSSÉGE. KÜLÖNÖSKÉPPEN AZ ÖN FELELŐSSÉGE, HOGY A TERMÉK HASZNÁLATA SORÁN NE SÉRTSE HARMADIK FÉL JOGAIT, BELEÉRTVE, DE NEM KORLÁTOZVA A NYILVÁNOSSÁGRA, SZELLEMI TULAJDONRA, ADATOK VÉDELMEÉRE ÉS EGYÉB SZEMÉLYES ADATOKRA VONATKOZÓ JOGOKAT.

Tilos a terméket illegális vadászatra, magánélet megsértésére vagy bármilyen más, törvénytelen vagy a közérdeket sértő célra használni. A TERMÉKET NEM HASZNÁLHATJA TILTOTT CÉLRA, BELEÉRTVE A TÖMEGPUSZTÍTÓ FEGYVEREK FEJLESZTÉSÉT VAGY GYÁRTÁSÁT, A VEGYI VAGY BIOLÓGIAI FEGYVEREK FEJLESZTÉSÉT VAGY GYÁRTÁSÁT, VALAMINT BÁRMILYEN, ROBBANÁSVESZÉLYES VAGY NEM BIZTONSÁGOS NUKLEÁRIS HASADÓANYAG-CIKLUSSAL KAPCSOLATOS TEVÉKENYSÉGET, ILLETVE EMBERI JOGI VISSZAÉLÉSEKET TÁMOGATÓ MÓDON TÖRTÉNŐ FELHASZNÁLÁST.

HA A JELEN KÉZIKÖNYV ÉS A HATÁLYOS TÖRVÉNY KÖZÖTT ELLENTMONDÁS TAPASZTALHATÓ, AKKOR AZ UTÓBBI A MÉRVADÓ.

Szabályozással kapcsolatos információk

EU megfelelési nyilatkozat



Ez a termék és mellékelt tartozékai (ha vannak ilyenek) a „CE” jelzést viselik, és így megfelelnek a rádióberendezésekről szóló 2014/53/EU (RED), az elektromágneses összeférhetőségről szóló 2014/30/EU (EMCD), a kiefeszültségű berendezésekről szóló 2014/35/EU (LVD) és a 2011/65/EU (RoHS) irányelvekben felsorolt vonatkozó harmonizált európai szabványoknak.



2012/19/EU irányelv (WEEE irányelv): Az ezzel a jelzéssel ellátott termékeket nem lehet szelektálatlan kommunális hulladékként elhelyezni az Európai Unióban. A megfelelő újrahasznosítás érdekében vigye vissza ezt a terméket helyi beszállítójához, amikor új, egyenértékű berendezést vásárol, vagy adja le a kijelölt gyűjtőhelyeken. További információért keresse fel az alábbi honlapot: www.recyclethis.info



2006/66/EK irányelv és annak 2013/56/EU kiegészítése (Akkumulátor-irányelv): Ez a termék olyan elemet tartalmaz, amelyet nem lehet szelektálatlan kommunális hulladékként elhelyezni az Európai Unióban. A termékdokumentációban további információkat talál az elemről. Az elem ezzel a jelzéssel van ellátva. A jelzésen megtalálhatók lehetnek a kadmiumot (Cd), ólmot (Pb) vagy higanyt (Hg) jelző betűjelek. A megfelelő újrahasznosítás érdekében vigye vissza ezt a terméket a beszállítójához, vagy vigye egy kijelölt gyűjtőhelyre. További információért keresse fel az alábbi honlapot: www.recyclethis.info.

Biztonsági utasítások

Ezen utasítások célja annak biztosítása, hogy a felhasználó a terméket megfelelően tudja használni veszély vagy vagyoni veszteség elkerülése érdekében.

Törvények és szabályok

- A termék használatakor szigorúan be kell tartani a helyi elektromos biztonsági előírásokat.

Szállítás

- Szállítás alkalmával tartsa a terméket az eredeti vagy ahhoz hasonló csomagolásban.
- Minden csomagolóanyagot őrizzen meg a későbbi felhasználás

érdekében. Hiba esetén az eredeti csomagolásában kell a készüléket visszaküldenie a gyártónak.

- Az eredeti csomagolástól eltérő csomagolás a termék sérülését okozhatja. A vállalat ez esetben nem vállal semmilyen felelősséget.
- Ne ejtse le és ne tegye ki ütődésnek a készüléket. Tartsa távol a készüléket a mágneses zavarforrásoktól.

Tápellátás

- Az adaptert Önnek kell beszereznie. A bemeneti feszültségnek meg kell felelnie a korlátozott áramforrásokra vonatkozó előírásoknak (5 V DC, 2 A), az IEC61010-1 szabvány szerint. A részletes információkért olvassa el a műszaki adatokat.
- Minősített gyártó hálózati adapterét használja. A részletes feszültség- és áramszükséglet a termék műszaki adataiban található.
- Az akkumulátortöltő a termékcsomag része. A mellékelt akkumulátortöltő bemeneti feszültségének meg kell felelnie a korlátozott áramforrásokra vonatkozó követelményeknek (5 VDC, 2A).
- Ellenőrizze, hogy a tápcsatlakozó stabilan van-e csatlakoztatva a konnektorhoz.
- NE csatlakoztasson több készüléket egy hálózati adapterre, hogy elkerülje a túlterhelés okozta túlmelegedést vagy tűzveszélyt.
- Az áramforrásnak meg kell felelnie az IEC 60950-1, illetve az IEC 62368-1 szabványok szerinti, a korlátozott áramforrásokra vonatkozó, illetve a PS2 előírásoknak.

Akkumulátor

- Nem megfelelő akkumulátorok használata vagy cseréje robbanásveszélyt okozhat. Csak azonos, vagy egyenértékű típusra cserélje.
- Csak minősített gyártó által készített elemet használjon. Az akkumulátorral szembeni részletes követelmények a termék műszaki adataiban vannak feltüntetve.
- Védőlemezes, 18650-es típusú akkumulátor használható, amelynek mérete 19 mm x 70 mm. A névleges feszültség, illetve kapacitás 3,6 V DC/3,35 Ah (12,06 Wh). Az elhasznált akkumulátorok hulladékkezelését az akkumulátor gyártójának útmutatása szerint végezze.
- Figyeljen arra, hogy az akkumulátor hőmérséklete töltés közben legyen 0°C és 45°C (32°F - 113°F) között.
- Az akkumulátor hosszú távú tárolásakor az akkumulátor minőségének biztosítása érdekében ellenőrizze fél évente, hogy az teljesen fel van-e töltve. Ellenkező esetben rongálódás következhet be.
- Az akkumulátorokat csak az eszközhöz mellékelt töltővel töltsse. Ügyeljen arra, hogy töltés közben az akkumulátortöltő 2 méteres

körzetén belül ne legyenek éghető anyagok.

- NE helyezze az akkumulátort hőforrás vagy nyílt láng közelébe. Óvja a közvetlen napsütéstől.
- Tartsa az akkumulátort gyermekektől TÁVOL.
- Az akkumulátor nem tölthető közvetlenül külső tápforrásról.
- A készülék nem tölthető. Kérjük, az akkumulátor töltéséhez használja a mellékelt töltőt.

Karbantartás

- Ha a termék nem működik megfelelően, forduljon a kereskedőjéhez vagy a legközelebbi szervizközpontoz. Nem vállalunk felelősséget az illetéktelen javításból vagy karbantartásból eredő károkért.
- Törölje le a készüléket egy tiszta ruhával és kis mennyiségű etanollal, ha szükséges.
- Ha a készüléket nem a gyártó által meghatározott módon használja, a védelem szintje csökkenhet.

Használati környezet

- Győződjön meg arról, hogy a használati környezet megfelel a készülék előírásainak. Az üzemi hőmérséklet -30 °C és 55 °C között, a páratartalom 5% és 95% között lehet.
- A készüléket száraz és jól szellőző környezetben tárolja.
- NE TEGYE ki a készüléket erős elektromágneses sugárzásnak vagy poros környezetnek.
- NE IRÁNYÍTSA az objektívet a Nap vagy más erős fényforrás irányába.
- Ha bármilyen lézerekészüléket használ, biztosítsa, hogy a készülék lencsáját ne érje a lézersugár, különben az kiéghet.

Vészhelyzet

- Ha a készülék füstöt, furcsa szagot vagy zajt bocsát ki, azonnal kapcsolja ki, húzza ki a tápkábelt, majd forduljon a szervizközpontoz.

Lézer



Ha bármilyen lézerekészüléket használ, biztosítsa, hogy a készülék lencsáját ne érje a lézersugár, különben az kiéghet. A készülékből származó lézersugárzás szemsérüléseket eredményezhet, bőr vagy éghető anyagok égését okozhatja. Mielőtt engedélyezné a fénykiegészítő funkciót, bizonyosodjon meg, hogy nincsenek emberek vagy gyúlékony anyagok a lézerek elött. Ne helyezze az eszközt olyan helyre, ahol gyermekek elérhetik.

A gyártó címe

313-as szoba, B egység, 2-es épület, 399 Danfeng Road, Xixing alkerület, Binjiang kerület, Hangzhou, Zhejiang 310052, Kína
Hangzhou Microimage Software Co., Ltd.

MEGFELELŐSÉGI MEGJEGYZÉS: A termográfias sorozat termékeire exportszabályozás vonatkozhat különböző régiókban és országokban, pl. az Egyesült Államokban, az Európai Unióban, az Egyesült Királyságban és/vagy a wassenaari egyezmény más tagországaiban. Ha a termográfias sorozat termékeit különböző országok közt szeretné szállítani, exportálni vagy újraexportálni, tájékozódjon a szükséges exportengedélyekről és követelményekről egy jogi vagy megfelelőségi szakértőnél, vagy a helyi hatóságoknál.

Română

1. Descriere scurtă

Telescopul cu imagini termice este echipat cu detector IR de înaltă sensibilitate și adoptă tehnologie avansată de imagistică termică, pentru a obține o vedere clară în condiții de vizibilitate slabă sau în mediu întunecat. Ajută la vizualizarea țintei și măsurarea distanței. Ajută la vizualizarea țintei și măsurarea distanței. Dispozitivul poate fi utilizat pe scară largă pentru misiuni de căutare și salvare, vânatoare etc.

Dispozitivul poate captura instantanee, înregistra videoclipuri și poate seta parametrii prin aplicația HIKMICRO Sight după ce a fost conectat la telefon prin hotspot. Căutați în HIKMICRO Sight din App Store (iOS System) sau Google Play™ (Android System) pentru a-l descărca sau scana codul QR pentru a descărca și instala Aplicația.



Sistem Android



Sistem iOS

Benzile și modurile de frecvență și limitele nominale a puterii transmise (radiate și/sau conduse) aplicabile acestui aparat radio sunt următoarele:

Wi-Fi 2,4 GHz (de la 2,4 GHz până la 2,4835 GHz)	20 dBm
--	--------

2. Aspect

Există două tipuri de lunete cu termoviziune. Vă rugăm să luați produsul real ca referință. Butoanele, componentele și interfața celor două tipuri de camere lunete cu termoviziune sunt la fel.

Componentă și interfață (Pagina 1 – A)

Nr.	Componentă	Funcție
1	Tasta de pornire	<ul style="list-style-type: none">● Apăsare: mod de repaus/activare dispozitiv● Menținere apăsat: pornire/oprire
2	Tastă de măsurare	<ul style="list-style-type: none">● Apăsați: măsurați distanța cu laser● Țineți apăsat: captură
3	Roată	<ul style="list-style-type: none">● Apăsați: comutați paletele● Țineți apăsat: meniu operare● Rotiți: comutare zoom digital
4	Capac lentile	Protejează obiectivul.
5	Inel de focalizare	Ajustați claritatea vizualizării.
6	Telemetru cu laser	Măsoară distanța cu laser.
7	Compartiment pentru baterie	Instalați bateria în acesta.
8	Inel de fixare	Fixați ocularul.
9	Ocular	Vedeți ținta.
10	Interfață schimb de date	Conectați cu cablul de ieșire.

Combinăție de buton

Nr.	Combinăție	Funcție
2 + 3	Tasta de măsurare + roțița	Apăsați simultan pentru a începe sau a opri înregistrarea.

1 + 2 + 3	Tasta de pornire + tasta de măsurare + roțița	Apăsați simultan pentru a intra în meniul ascuns.
-----------	---	--

3. Instalare baterie (Pagina 3-B)

Pași

1. Rotiți capacul bateriei în sens invers acelor de ceasornic pentru a-l slăbi.
 2. Introduceți bateria în compartimentul bateriei cu semnul pozitiv spre interior.
 3. Rotiți capacul bateriei în sensul acelor de ceasornic pentru al strânge.
- Notă:** Scoateți bateria dacă nu utilizați dispozitivul o perioadă lungă de timp.

4. Instalare șina (Pagina 4-C)

Pași

1. Instalați dispozitivul pe șină așa cum arată săgeata neagră.
2. Introduceți și strângeți șuruburile.
3. Strângeți pârghiile pentru a fixa dispozitivul.

Notă:

- Opriți mai întâi dispozitivul.
- Folosiți cârpa fără praf pentru a curăța baza dispozitivului și șina.

5. Conectarea dispozitivului (Pagina 5-E)

Pași

1. Porniți dispozitivul și asigurați-vă că funcția hotspot este dezactivată.
2. Ridicați capacul interfeței pentru transfer de date.
3. Conectați dispozitivul și adaptorul de alimentare cu un cablu de tip C pentru a porni dispozitivul. Alternativ, conectați dispozitivul și PC-ul pentru a exporta fișiere.

Manual de utilizare



Informații juridice

©2022 Hangzhou Microimage Software Co., Ltd. Toate drepturile rezervate.

Despre acest Manual

Manualul include instrucțiuni pentru utilizarea și gestionarea Produsului. Fotografii, diagramele, imaginile și toate celelalte informații de mai jos sunt doar pentru descriere și explicații. Informațiile conținute în Manualul pot fi modificate, fără notificare prealabilă, din cauza actualizărilor firmware-ului sau din alte motive. Vă rugăm să găsiți cea mai recentă versiune a acestui Manual pe site-ul HIKMICRO (www.hikmicrotech.com/). Vă rugăm să folosiți acest Manual sub îndrumarea și cu asistența unor profesioniști instruiți în domeniul asistenței pentru produs.

Recunoașterea mărcilor

 HIKMICRO și alte mărci comerciale și logo-uri HIKMICRO sunt proprietățile HIKMICRO în diferite jurisdicții.

Alte mărci comerciale și logo-uri menționate sunt proprietățile proprietarilor respectivi.

AVIZ LEGAL

ÎN MĂSURA MAXIMĂ PERMISĂ DE LEGISLAȚIA APLICABILĂ, ACEST MANUAL ȘI PRODUSUL DESCRIS, ÎMPREUNĂ CU HARDWARE-UL, SOFTWARE-UL ȘI FIRMWARE-UL SĂU, SUNT FURNIZATE „CA ATARE” ȘI „CU TOATE DEFECTELE ȘI ERORILE”. HIKMICRO NU OFERĂ GARANȚII, EXPLICITE SAU IMPLICITE, INCLUSIV, FĂRĂ LIMITARE, VANDABILITATE, CALITATE SATISFĂCĂTOARE SAU ADECVARE PENTRU UN ANUMIT SCOP. UTILIZAREA PRODUSULUI DE CĂTRE DVS. ESTE PE PROPRIU RISC. ÎN NICIUN CAZ HIKMICRO NU VA FI RĂSPUNZĂTOR FAȚĂ DE DVS. PENTRU ORICE DAUNE SPECIALE, CONSECVENTE, ACCIDENTALE SAU INDIRECTE, INCLUSIV, PRINTRE ALTELE, DAUNE PENTRU PIERDEREA PROFITURILOR DE AFACERI, ÎNTRERUPEREA AFACERII, SAU PIERDEREA DATELOR, CORUPȚIA SISTEMELOR SAU PIERDEREA DOCUMENTAȚIEI, FIE CĂ SE BAZEAZĂ PE ÎNCĂLCAREA CONTRACTULUI, DELICT (INCLUSIV NEGLIJENȚĂ), RĂSPUNDEREA PRODUSULUI SAU ÎN ALT MOD, ÎN LEGĂTURĂ CU UTILIZAREA PRODUSULUI, CHIAR DACĂ HIKMICRO A FOST INFORMAT CU PRIVIRE LA POSIBILITATEA UNOR ASTFEL DE DAUNE SAU PIERDERI. RECUNOAȘTEȚI CĂ NATURA INTERNETULUI ASIGURĂ RISCURI DE

SECURITATE INERENTE, IAR HIKMICRO NU ÎȘI ASUMĂ NICIO RESPONSABILITATE PENTRU FUNCȚIONAREA ANORMALĂ, SCURGERI DE CONFIDENȚIALITATE SAU ALTE DAUNE REZULTATE DIN ATACURILE CIBERNETICE, ATACURILE HACKERILOR, INFECȚIILOR CU VIRUȘI SAU ALTE RISCURI DE SECURITATE PE INTERNET; CU TOATE ACESTE, HIKMICRO VA OFERI ASISTENȚĂ TEHNICĂ ÎN TIMP UTIL, DACĂ ESTE NECESAR. SUNTEȚI DE ACORD SĂ UTILIZAȚI ACEST PRODUS ÎN CONFORMITATE CU TOATE LEGILE APLICABILE ȘI SUNTEȚI SINGURUL RESPONSABIL PENTRU A VĂ ASIGURA CĂ UTILIZAREA DVS. ESTE ÎN CONFORMITATE CU LEGISLAȚIA APLICABILĂ. ÎN SPECIAL, SUNTEȚI RESPONSABIL, PENTRU UTILIZAREA ACESTUI PRODUS ÎNTR-UN MOD CARE NU ÎNCALCĂ DREPTURILE TERȚILOR, INCLUSIV, FĂRĂ LIMITARE, DREPTURILE DE PUBLICITATE, DREPTURILE DE PROPRIETATE INTELECTUALĂ SAU PROTECȚIA DATELOR ȘI ALTE DREPTURI DE CONFIDENȚIALITATE. Nu se va utiliza acest produs pentru vânătoria ilegală a animalelor, invadarea spațiului privat sau orice alt scop care este ilegal sau care afectează interesul public. NU VEȚI UTILIZA ACEST PRODUS PENTRU UTILIZĂRI FINALE INTERZISE, INCLUSIV PENTRU DEZVOLTAREA SAU PRODUCEREA DE ARME DE DISTRUGERE ÎN MASĂ, DEZVOLTAREA SAU PRODUCEREA DE ARME CHIMICE SAU BIOLOGICE, ORICE ACTIVITĂȚI ÎN CONTEXTUL ORICĂRUI CICLU NUCLEAR EXPLOZIV SAU NESIGUR AL COMBUSTIBILULUI NUCLEAR SAU ÎN SPRIJINUL OAMENILOR ABUZURI DE DREPTURI. ÎN EVENTUALITATEA UNUI CONFLICT ÎNTRE ACEST MANUAL ȘI LEGISLAȚIA APLICABILĂ, VA AVEA PRIORITYATE ULTIMA DINTRE ACESTE.

Informații de reglementare

Declarație de conformitate UE



Acest produs și – după caz – accesoriile furnizate sunt marcate cu the supplied accessories too are marked with „CE”, astfel că sunt conforme cu standardele europene armonizate aplicabile prezentate în Directiva 2014/53/UE (DER), Directiva 2014/30/UE (DCME), Directiva 2014/35/EU (DTJ), Directiva 2011/65/UE (RSP).



Directiva 2012/19/UE (Directiva DEEE): Produsele marcate cu acest simbol nu pot fi aruncate ca deșeuri municipale nesortate în Uniunea Europeană. Pentru o reciclare adecvată, returnați acest produs furnizorului local la achiziționarea unui echipament nou echivalent sau aruncați-l la punctele de colectare desemnate. Pentru mai multe informații, consultați: www.recyclethis.info



Directiva 2006/66/CE și modificarea acesteia 2013/56/UE (Directiva privind bateriile): Acest produs conține o baterie care nu poate fi eliminată ca deșeurile municipale nesortate în Uniunea Europeană. Consultați documentația produsului pentru informații specifice despre baterie. Bateria este marcată cu acest simbol, care poate include litere pentru a indica cadmiul (Cd), plumbul (Pb) sau mercurul (Hg). Pentru o reciclare corectă, returnați bateria furnizorului dvs. sau la un punct de colectare desemnat. Pentru mai multe informații, consultați: www.recyclethis.info.

Instrucțiuni de siguranță

Aceste instrucțiuni sunt menite să asigure că utilizatorul poate utiliza corect produsul pentru a evita pericolul sau pierderea proprietății.

Legi și reglementări

- Utilizarea produsului trebuie să respecte cu strictețe reglementările locale de siguranță electrică.

Transport

- Păstrați dispozitivul în ambalajul original sau similar în timpul transportului.
- După dezambalare, păstrați toate ambalajele pentru o viitoare utilizare. În cazul în care a apărut vreun defect, trebuie să returnați dispozitivul în fabrică cu ambalajul original.
- Transportul fără ambalajul original poate duce la deteriorarea dispozitivului, iar compania nu își asumă nici o responsabilitate pentru aceasta.
- Nu scăpați produsul și nu-l supuneți șocurilor fizice. Țineți dispozitivul departe de interferența magnetică.

Sursa de alimentare

- Vă rugăm să achiziționați adaptorul de unul singur. Tensiunea de intrare trebuie să îndeplinească sursa limitată de putere (5 V c.c., 2A) conform standardului IEC61010-1. Vă rugăm să consultați specificațiile tehnice pentru informații detaliate.
- Utilizați adaptorul de alimentare furnizat de un producător calificat. Consultați specificațiile produsului pentru cerințele detaliate de alimentare.
- Încărcătorul de baterii este inclus în pachet. Tensiunea de intrare pentru încărcătorul de baterii furnizat trebuie să respecte limitarea sursei de alimentare (5 V c.c., 2 A).
- Asigurați-vă că ștecherul este conectat corect la priza de curent.

- NU conectați mai multe dispozitive la un adaptor de alimentare pentru a evita pericolul de supraîncălzire sau de incendiu.
- Sursa de alimentare trebuie să îndeplinească cerințele limitate ale sursei de alimentare sau PS2 în conformitate cu standardul IEC 60950-1 SAU IEC 62368-1.

Baterie

- Utilizarea necorespunzătoare sau înlocuirea bateriei pot duce la pericol de explozie. Înlocuiți numai cu același tip sau un tip echivalent.
- Utilizați bateria furnizată de un producător calificat. Consultați specificațiile produsului pentru cerințele detaliate privind pbateria.
- Tipul bateriei este 18650 cu placa de protecție, iar dimensiunea bateriei trebuie să fie de 19 mm x 70 mm. Tensiunea nominală și capacitatea sunt de 3,6 VDC/3,35 Ah (12,06 Wh). Eliminați bateriile uzate în conformitate cu instrucțiunile oferite de producătorul bateriei.
- Asigurați-vă că temperatura bateriei este între 0°C și 45°C (32°F și 113°F) atunci când o încărcați.
- Pentru depozitarea pe termen lung a bateriei, asigurați-vă că aceasta este complet încărcată la fiecare jumătate de an pentru a asigura calitatea bateriei. În caz contrar, pot apărea daune.
- Nu încărcați alte tipuri de baterii cu încărcătorul furnizat. Confirmați că nu există material inflamabil la 2 m de încărcător în timpul încărcării.
- NU așezați bateria lângă sursa de încălzire sau de incendiu. Evitați lumina directă a soarelui.
- NU așezați bateria la îndemâna copiilor.
- Bateria nu poate fi încărcată direct cu o sursă de alimentare externă.
- Dispozitivul nu poate fi încărcat. Vă rugăm să folosiți încărcătorul furnizat pentru a încărca bateria.

Întreținere

- În cazul în care produsul nu funcționează corect, vă rugăm să contactați dealerul sau cel mai apropiat centru de service. Nu ne asumăm nicio responsabilitate pentru problemele cauzate de reparații sau întreținere neautorizate.
- Ștergeți ușor aparatul cu o cârpă curată și o cantitate mică de etanol, dacă este necesar.
- În cazul în care echipamentul este utilizat într-un mod care nu este specificat de producător, protecția oferită de dispozitiv poate fi afectată.

Utilizarea mediului

- Asigurați-vă că mediul de funcționare îndeplinește cerințele dispozitivului. Temperatura de funcționare trebuie să fie cuprinsă între

-30°C și 55°C (-22°F și 131°F), iar umiditatea trebuie să fie cuprinsă între 5% și 95%.

- Așezați dispozitivul într-un mediu uscat și bine ventilat.
- NU expuneți dispozitivul la radiații electromagnetice ridicate sau în medii cu praf .
- NU îndreptați obiectivul la soare sau la orice altă lumină strălucitoare.
- Când utilizați orice echipament laser, asigurați-vă că lentila dispozitivului nu este expusă la raza laser, altfel se poate arde.

Urgență

- Dacă de la dispozitiv apar fum, miros sau zgomot, opriți imediat alimentarea, deconectați cablul de alimentare și contactați centrul de service.

Laser



Când utilizați orice echipament laser, asigurați-vă că lentila dispozitivului nu este expusă la raza laser, altfel se poate arde. Radiația laser emisă de dispozitiv poate provoca leziuni oculare, arsuri ale pielii sau substanțe inflamabile. Înainte de a activa funcția de suplimentare a luminii, asigurați-vă că în fața lentilei laserului nu se află persoane sau substanțe inflamabile. Nu plasați dispozitivul acolo unde minorii îl pot prelua.

Adresa de fabricație

Camera 313, Unitatea B, Clădirea 2, 399 Danfeng Road, subdistrictul Xixing, districtul Binjiang, Hangzhou, Zhejiang 310052, China
Hangzhou Microimage Software Co., Ltd.

NOTIFICARE DE CONFORMITATE: Produsele din seria termică pot fi supuse controalelor exporturilor în diferite țări sau regiuni, inclusiv, fără limitare, Statele Unite ale Americii, Uniunea Europeană, Regatul Unit și/sau alte țări membre ale Aranjamentului de la Wassenaar. Vă rugăm să consultați expertul juridic sau de conformitate profesional sau autoritățile administrației locale pentru orice cerințe necesare privind licența de export dacă intenționați să transferați, să exportați, să reexportați produsele din seria termică între diferite țări.

Nederlands

1. Korte beschrijving

Het bereik van de thermische afbeelding is voorzien van een IR-detector

met hoge gevoeligheid en maakt gebruik van geavanceerde thermische beeldtechnologie, om een duidelijk beeld te krijgen in omstandigheden van slecht zicht of een donkere omgeving. Hiermee kan het doel worden bekeken en de afstand worden gemeten. Hiermee kan het doel worden bekeken en de afstand worden gemeten. Het apparaat kan op grote schaal worden gebruikt voor zoeken en redden, jagen, enz.

Het apparaat kan momentopnames maken, video's opnemen en parameters instellen met de HIKMICRO Sight-app nadat u het via een hotspot met uw telefoon heeft verbonden. Zoek HIKMICRO Sight in de App Store (iOS-apparaat) of Google Play™ (Android-apparaat) om het te downloaden, of scan de QR-code om de app te downloaden en te installeren.



Android-systeem



iOS-systeem

De frequentiebanden en -modi en de nominale limieten van het uitgezonden vermogen (uitgestraald en/of geleid) die van toepassing zijn op dit radio-apparaat zijn de volgende:

Wi-Fi 2,4 GHz (2,4 GHz tot 2,4835 GHz)	20 dBm
--	--------

2. Verschijning

Er zijn twee soorten thermische beeldscopen. Houd het eigenlijke product aan als referentie. De knoppen, componenten en interface van de twee typen warmtebeeldscopen zijn hetzelfde.

Component en interface (pagina 1 – A)

Nr.	Component	Functie
1	Aan/uit-toets	<ul style="list-style-type: none"> • Druk in voor stand-by-modus/om het apparaat te wekken • Houd ingedrukt om in/uit te schakelen

2	Metingstoets	<ul style="list-style-type: none"> ● Indrukken: meet de afstand met laser ● Ingedrukt houden: leg vast
3	Wiel	<ul style="list-style-type: none"> ● Indrukken: paletten wisselen ● Houd ingedrukt: menu in gebruik ● Draaien: verander naar digitale zoom
4	Lenskap	Beschermen van de lens.
5	Focusring	Pas het zicht aan.
6	Laserafstandsmeter	De afstand met een laser meten.
7	Batterijvakje	Plaats de batterij erin.
8	Bevestigingsring	Bevestig het oculair.
9	Oculair	Bekijk het doel.
10	Interface voor gegevensuitwisseling	Sluit aan met de uitgangskabel.

Knopcombinatie

Nr.	Combinatie	Functie
2 + 3	Meettoets + wiel	Houd tegelijkertijd ingedrukt met de startknop of stop de opname.
1 + 2 + 3	Aan/uit-toets + meettoets + wiel	Houd tegelijkertijd ingedrukt om het verborgen menu te openen.

3. Batterij installeren (pagina 3 – B)

Stappen

1. Draai het batterijklepje naar links om hem los te draaien.
2. Plaats de batterij in het batterijvak met de plus-markering naar binnen.
3. Draai het batterijklepje naar rechts om hem vast te draaien.

Opmerking: Verwijder de batterij als u het apparaat gedurende langer tijd niet gebruikt.

4. Rail installeren (pagina 4 – C)

Stappen

1. Installeer het apparaat op de rail zoals de zwarte pijl laat zien.

2. Plaats de schroeven en draai ze vast.
3. Draai de hendels vast om het apparaat vast te zetten.

Opmerking:

- Zet het apparaat eerst aan.
- Gebruik een stofvrije doek om de basis van het apparaat en de rail schoon te maken.

5. Apparaat aansluiten (pagina 5 – E)

Stappen

1. Zet het apparaat aan en zorg ervoor dat de hotspotfunctie is uitgeschakeld.
2. Til het deksel op van de interface voor gegevensuitwisseling.
3. Verbind het apparaat en de netstroomadapter met een type-C-kabel om het apparaat in te schakelen. U kunt ook het apparaat verbinden met een pc om bestanden te exporteren.

Gebruiksaanwijzing



Juridische informatie

©2022 Hangzhou Microimage Software Co., Ltd. Alle rechten voorbehouden.

Over deze handleiding

De handleiding bevat instructies voor het gebruik en beheer van het product. Afbeeldingen, grafieken, afbeeldingen en alle andere informatie hierna worden verstrekt voor beschrijving en uitleg. De informatie in de handleiding is onderhevig aan verandering, zonder voorafgaande kennisgeving, als gevolg van firmware-updates of andere redenen. U kunt de nieuwste versie van deze handleiding vinden op de HIKMICRO-website (www.hikmicrotech.com/).

Gebruik deze handleiding onder begeleiding en ondersteuning van professionals die zijn opgeleid voor het ondersteunen van het product.

Erkenning handelsmerken

 **HIKMICRO** en andere handelsmerken en logo's van HIKMICRO zijn eigendom van HIKMICRO in verschillende rechtsgebieden.

Andere handelsmerken en logo's zijn het eigendom van hun respectieve eigenaren.

JURIDISCHE DISCLAIMER

VOOR ZOVER MAXIMAAL TOEGESTAAN OP GROND VAN HET TOEPASSELIJK RECHT, WORDEN DEZE HANDLEIDING EN HET OMSCHREVEN PRODUCT, INCLUSIEF HARDWARE, SOFTWARE EN FIRMWARE, GELEVERD 'ZOALS ZE ZIJN', INCLUSIEF 'FOUTEN EN GEBREKEN'. HIKMICRO GEEFT GEEN GARANTIES, EXPLICIET OF IMPLICIET, WAARONDER ZONDER BEPERKING, VERKOOPBAARHEID, BEVREDIGENDE KWALITEIT OF GESCHIKTHEID VOOR EEN BEPAALD DOEL. HET GEBRUIK VAN HET PRODUCT DOOR U IS OP EIGEN RISICO. IN GEEN GEVAL IS HIKMICRO VERANTWOORDELIJK VOOR SPECIALE, BIJKOMENDE, INCIDENTELE OF INDIRECTE SCHADE, WAARONDER, ONDER ANDERE, SCHADE VAN VERLIES AAN ZAKELIJKE WINST, ZAKELIJKE ONDERBREKING OF VERLIES VAN GEGEVENS, CORRUPTIE OF SYSTEMEN, OF VERLIES VAN DOCUMENTATIE, ONGEACHT OF DIT VOORTVLOEIT UIT CONTRACTBREUK, BENADELING (INCLUSIEF NALATIGHEID), PRODUCTAANSPRAAKELIJKHEID OF ANDERS, MET BETREKKING TOT HET PRODUCT, ZELFS ALS HIKMICRO OP DE HOOGTE IS GEBRACHT VAN ZULKE SCHADE OF VERLIES.

U ERKENT DAT DE AARD VAN HET INTERNET INHERENTE VEILIGHEIDSRISICO'S INHOUDT EN DAT HIKMICRO GEEN ENKELE VERANTWOORDELIJKHEID AANVAARDT VOOR ABNORMALE WERKING, HET UITLEKKEN VAN PERSOONLIJKE GEGEVENS OF ANDERE SCHADE ALS GEVOLG VAN CYBERAANVALLEN, HACKERAANVALLEN, VIRUSBESMETTINGEN OF ANDERE BEVEILIGINGSRISICO'S OP HET INTERNET; INDIEN NODIG VOORZIET HIKMICRO IN TIJDIGE TECHNISCHE ONDERSTEUNING.

U GAAT AKKOORD MET HET GEBRUIK VAN DIT PRODUCT IN OVEREENSTEMMING MET ALLE TOEPASBARE WETTEN EN UITSLUITEND U BENT VERANTWOORDELIJK VOOR DE GARANTIE DAT UW GEBRUIK OVEREENSTEMT MET DE TOEPASBARE WET. U BENT VOORAL VERANTWOORDELIJK DAT HET GEBRUIK VAN DIT PRODUCT GEEN INBREUK MAAKT OP DE RECHTEN VAN DERDEN, INCLUSIEF EN ZONDER BEPERKING DE RECHTEN VAN PUBLICITEIT, INTELLECTUEEL EIGENDOM, OF GEGEVENSBESCHERMING EN ANDERE PRIVACYRECHTEN. U mag dit product niet gebruiken om illegaal op dieren te jagen, de privacy te schenden of voor enig ander doel dat illegaal is dan wel schadelijk voor het openbaar belang. U MAG DIT PRODUCT NIET GEBRUIKEN VOOR ENIGE ONWETTIG EINDGEBRUIK, MET INBEGRIIP VAN DE ONTWIKKELING OF DE PRODUCTIE VAN MASSAVERNIEGINGSWAPENS, DE ONTWIKKELING OF DE PRODUCTIE VAN CHEMISCHE OF BIOLOGISCHE WAPENS, ALLE ACTIVITEITEN IN HET KADER VAN EVENTUELE NUCLEAIRE EXPLOSIEVEN OF ONVEILIGE NUCLEAIRE BRANDSTOF CYCLUS, OF TER

ONDERSTEUNING VAN MENSENRECHTENSCHENDINGEN.
IN HET GEVAL VAN ENIGE CONFLICTEN TUSSEN DEZE HANDLEIDING EN DE
TOEPASSELIJKE WETGEVING, PREVALEERT DE LAATSTE.

Informatie met betrekking tot regelgeving

EU-conformiteitsverklaring



Dit product en - indien van toepassing - ook de meegeleverde accessoires zijn gemarkeerd met "CE" en voldoen daarmee aan de toepasselijke geharmoniseerde Europese normen vermeld onder de Richtlijn 2014/53/EU (RED), Richtlijn 2014/30/EU (EMCD), Richtlijn 2014/35/EU (LVD), Richtlijn 2011/65/EU (RoHS).



Richtlijn 2012/19/EU (WEEE-richtlijn): Producten die met dit symbool zijn gemarkeerd mogen binnen de Europese Unie niet worden weggegooid als ongesorteerd huishoudelijk afval. Lever dit product voor een juiste recycling in bij uw plaatselijke leverancier bij aankoop van soortgelijke nieuwe apparatuur, of breng het naar daarvoor aangewezen inzamelpunten. Raadpleeg www.recyclethis.info voor meer informatie



Richtlijn 2006/66/EG en zijn amendement 2013/56/EU (Batterijrichtlijn): Dit product bevat een batterij die binnen de Europese Unie niet mag worden weggegooid als ongesorteerd huishoudelijk afval. Zie de productdocumentatie voor specifieke informatie over de batterij. De batterij is gemarkeerd met dit symbool, dat letters kan bevatten die cadmium (Cd), lood (Pb) of kwik (Hg) aanduiden. Lever de batterij voor een juiste recycling in bij uw leverancier of bij een daarvoor aangewezen inzamelpunt. Raadpleeg voor meer informatie: www.recyclethis.info.

Veiligheidsinstructies

Deze instructies zijn bedoeld om te verzekeren dat de gebruiker het product juist kan gebruiken om gevaar of verlies van eigendommen te vermijden.

Wet- en regelgeving

- Gebruik van het product moet in strikte overeenstemming met de plaatselijke elektrische veiligheidsvoorschriften plaatsvinden.

Transport

- Bewaar het apparaat in de originele of soortgelijke verpakking tijdens

vervoer.

- Bewaar alle verpakkingen voor toekomstig gebruik. In het geval van een defect moet u het apparaat terugsturen naar de fabriek met de originele verpakking.
- Transport zonder de originele verpakking kan leiden tot schade aan het apparaat, waarvoor wij geen verantwoordelijk erkennen.
- Laat het product niet vallen en stel het apparaat niet bloot aan schokken. Houd het toestel uit de buurt van magnetische velden.

Stroomvoorziening

- U dient de adapter zelf aan te schaffen. De ingangsspanning moet voldoen aan de Beperkte Stroombron (5 VDC, 2A) volgens de IEC61010-1-norm. Zie de technische specificaties voor gedetailleerde informatie.
- Gebruik de door een gekwalificeerde fabrikant geleverde netstroomadapter. Raadpleeg de productspecificaties voor nauwkeurig omschreven vereisten omtrent de voeding.
- De batterijlader wordt meegeleverd in de verpakking. De ingangsspanning van de meegeleverde batterijlader moet voldoen aan de beperkte stroombron (5 VDC, 2A).
- Zorg dat de stekker goed in het stopcontact zit.
- Sluit NOOIT meerdere apparaten aan op één voedingsadapter om oververhitting of brandgevaar door overbelasting te voorkomen.
- De voedingsbron moet voldoen aan de Limited Power Source of PS2-vereisten volgens de IEC 60950-1- of IEC 62368-1-norm.

Batterij

- Onjuist gebruik of onjuiste vervanging van de batterij kan resulteren in explosiegevaar. Vervang hem alleen door hetzelfde of een gelijkwaardig type.
- Gebruik de door een gekwalificeerde fabrikant geleverde batterij. Raadpleeg de productspecificaties voor nauwkeurig omschreven vereisten omtrent de batterij.
- Het batterijtype is 18650 met de beschermplaat en de batterijgrootte moet 19 mm x 70 mm zijn. De nominale spanning en de capaciteit zijn 3,6 VDC/3,35 Ah (12,06 Wh). Voer gebruikte batterijen af in overeenstemming met de instructies van de batterij fabrikant.
- Zorg dat de batterijtemperatuur tussen 0°C tot 45°C graden is tijdens het opladen.
- Voor langdurige opslag van de batterij moet u ervoor zorgen dat deze elk half jaar volledig wordt opgeladen om de kwaliteit van de batterij te waarborgen. Als u dit niet doet, kan dit leiden tot schade.
- Laad geen andere batterijtypes op met de meegeleverde oplader. Zorg

tijdens het opladen dat er zich geen brandbaar materiaal binnen een straal van 2 m van de oplader bevindt.

- Houd de batterij uit in de buurt van hitte- of open vuur. Vermijd direct zonlicht.
- Houd de batterij buiten het bereik van kinderen.
- De batterij kan niet rechtstreeks met een externe voedingsbron worden opgeladen.
- Het apparaat kan niet worden opgeladen. Gebruik de meegeleverde oplader om de batterij op te laden.

Onderhoud

- Als het product niet goed werkt, neem dan contact op met uw leverancier of het dichtstbijzijnde servicecentrum. Wij aanvaarden geen verantwoordelijkheid voor problemen die zijn veroorzaakt door ongeautoriseerde reparatie of onderhoud.
- Veeg het apparaat voorzichtig schoon met een schone doek en, indien nodig, een kleine hoeveelheid ethanol.
- Als de apparatuur wordt gebruikt op een manier die niet door de fabrikant is gespecificeerd, kan de bescherming van het apparaat worden aangetast.

Gebruiksomgeving

- Zorg dat de gebruiksomgeving voldoet aan de vereisten van het apparaat. Het apparaat werkt bij een temperatuur van -30°C tot 55°C en een luchtvochtigheid van 5% tot 95%.
- Plaats het apparaat in een droge en goed geventileerde omgeving.
- Stel het apparaat NIET bloot aan hoge elektromagnetische straling of stoffige omgevingen.
- Richt de lens NIET op de zon of een ander fel licht.
- Wanneer laserapparatuur in gebruik is, zorg er dan voor dat de lens van het apparaat niet wordt blootgesteld aan de laserstraal, anders kan deze doorbranden.

Noodgeval

- Als er rook, geur of geluid uit het apparaat komt, schakel het dan onmiddellijk uit, haal de stekker van het netsnoer uit het stopcontact en neem contact op met het servicecentrum.

Laser



Wanneer laserapparatuur in gebruik is, zorg er dan voor dat de lens van het apparaat niet wordt blootgesteld aan de laserstraal, anders kan deze doorbranden. De laserstraling van het apparaat kan oogletsel en

verbranding van de huid of brandbare stoffen veroorzaken. Zorg, voordat u de kunstlichtfunctie inschakelt, dat er zich geen mensen of brandbare stoffen voor de laserlens bevinden. Plaats het apparaat niet binnen het bereik van minderjarigen.

Adres fabrikant

Kamer 313, Unit B, Gebouw 2, 399 Danfeng Road, subdistrict Xixing, district Binjiang, Hangzhou, Zhejiang 310052, China
Hangzhou Microimage Software Co., Ltd.

MEDEDELING VAN NALEVING: De producten thermische serie kunnen zijn onderworpen aan exportcontroles in verschillende landen of regio's, inclusief zonder enige beperking de Verenigde Staten, de Europese Unie, het Verenigd Koninkrijk en/of andere lidstaten van de Overeenkomst van Wassenaar. Neem contact op met uw professionele juridische of nalevingsexpert of plaatselijke overheidsinstanties omtrent enige noodzakelijke vereisten voor een exportvergunning als u van plan bent de producten thermische serie te verplaatsen, exporteren of her-exporteren tussen verschillende landen.

Dansk

1. Oversigt

Det termiske kikkertkamera er udstyret med en højfølsom IR-detektor og anvender avanceret termisk billedteknologi, der giver et klart billede, selv under dårlig sigtbarhed eller i mørke omgivelser. Det hjælper med til at vise målet og måle afstanden. Det hjælper med til at vise målet og måle afstanden. Enheden kan bruges generelt til eftersøgnings- og redningsaktioner, jagt osv.

Enheden kan optage snapshots og videoer og indstille parametre ved hjælp af appen HIKMICRO Sight, når den er tilsluttet din telefon via et hotspot. Søg efter HIKMICRO Sight i App Store (iOS) eller Google Play™ (Android) for at downloade den, eller scan QR-koden for at downloade og installere appen.



Android



iOS

Frekvensbånd og tilstande samt de nominelle grænser for transmitteret effekt (udstrålet og/eller ledningsbåret) er følgende for radioenheden:

Wi-fi 2,4 GHz (2,4 GHz til 2,4835 GHz)	20 dBm
--	--------

2. Udseende

Der findes to typer termiske kikkertkameraer. Det faktiske produkt gælder. Knapper, komponenter og grænseflade for de to typer termiske kikkertkameraer er de samme.

Komponenter og grænseflader (side 1 - A)

Nr.	Komponent	Funktion
1	Afbrydertast	<ul style="list-style-type: none"> ● Tryk: Standbytilstand/væk enheden ● Hold: Tænd/sluk
2	Måletast	<ul style="list-style-type: none"> ● Tryk: Mål afstanden med laser ● Hold: Tag billede
3	Hjul	<ul style="list-style-type: none"> ● Tryk: Skift palet ● Hold: Betjening i menuen ● Drej: Skift digitalt zoom
4	Objektivdæksel	Beskyt objektivet.
5	Fokusring	Justér for at stille skarpt.
6	Laserafstandsmåler	Mål afstand med laser.
7	Batterirum	Læg batteriet i batterirummet.
8	Fikseringsring	Fastgør okularet.
9	Okular	Se målet.
10	Dataudvekslingsgrænseflade	Tilslut med outputkablet.

Knapkombination

Nr.	Kombination	Funktion
2 + 3	Måletast + Hjul	Tryk samtidig for at starte eller stoppe optagelse.
1 + 2 + 3	Afbrydertast + Måletast + Hjul	Tryk samtidig for at åbne den skjulte menu.

3. Ilægning af batteri (side 3 – B)

Trin

1. Drej batteridækslet mod uret for at løsne det.
2. Læg batteriet i batterirummet med mærket + vendt indad.
3. Drej batteridækslet med uret for at stramme det.

Bemærk: Tag batterierne ud, hvis du ikke skal bruge enheden i længere tid.

4. Montering af skinne (side 4 – C)

Trin

1. Montér enheden på skinnen, som den sorte pil viser.
2. Sæt skruerne i, og spænd dem.
3. Spænd håndtagene for at fastgøre enheden.

Bemærk:

- Sluk først enheden.
- Rengør enhedsfoden og skinnen med den fnugfrie klud.

5. Tilslutning af enhed (side 5 – E)

Trin

1. Tænd enheden, og sørg for, at hotspotfunktionen er deaktiveret.
2. Løft dækslet over dataudvekslingsgrænsefladen.
3. Tilslut enheden og strømadapteren med et Type-C-kabel for at tænde enheden. Alternativt kan du slutte enheden til en PC for at eksportere filer.

Brugervejledning



Juridiske oplysninger

©2022 Hangzhou Microimage Software Co., Ltd. Alle rettigheder forbeholdes.

Om denne vejledning

Vejledningen indeholder anvisninger om brug og håndtering af produktet. Billeder, diagrammer, illustrationer og alle øvrige oplysninger herefter tjener kun som beskrivelse og forklaring. Oplysningerne i vejledningen er med forbehold for ændring uden varsel på grund af opdateringer af firmware eller andre årsager. Du kan finde den seneste udgave af vejledningen på webstedet for HIKMICRO (www.hikmicrotech.com/). Brug brugervejledningen under vejledning af og med hjælp fra fagfolk, der er uddannet i understøttelse af produktet.

Anerkendelse af varemærker

 **HIKMICRO** og andre af HIKMICRO's varemærker og logoer tilhører HIKMICRO i forskellige jurisdiktioner.

Andre nævnte varemærker og logoer tilhører deres respektive ejere.

JURIDISK ANSVARFRASKRIVELSE

VEJLEDNINGEN OG DET HERI BESKREVNE PRODUKT, INKL. HARDWARE, SOFTWARE OG FIRMWARE, LEVERES I STØRST MULIGT OMFANG, DER ER TILLADT VED LOV, "SOM DET ER OG FOREFINDES" OG "MED ALLE DEFEKTER OG FEJL". HIKMICRO UDSTEDER INGEN GARANTIER, HVERKEN UDTRYKKELIGE ELLER UNDERFORSTÅEDE, INKL. UDEN BEGRÆNSNING, VEDRØRENDE SALGBARHED, TILFREDSSTILLENDE KVALITET ELLER EGNETHED TIL ET BESTEMT FORMÅL. DIN BRUG AF PRODUKTET SKER PÅ DIN EGEN RISIKO. UNDER INGEN OMSTÆNDIGHEDER ER HIKMICRO ANSVARLIG OVER FOR DIG FOR SÆRLIGE SKADER, HÆNDELIGE SKADER, FØLGESKADER ELLER INDIREKTE SKADER, INKL. BL.A., SKADER SOM FØLGE AF DRIFTSTAB, DRIFTSFORSTYRRELSER ELLER TAB AF DATA, BESKADIGELSE AF SYSTEMER ELLER TAB AF DOKUMENTATION, UANSET OM DET ER BASERET PÅ KONTRAKTBRUD, SKADEVOLDENDE HANDLINGER (HERUNDER UAGTSOMHED), PRODUKTANSVAR ELLER PÅ ANDEN MÅDE I FORBINDELSE MED BRUGEN AF PRODUKTET, SELVOM HIKMICRO ER BLEVET UNDERRETTET OM MULIGHEDEN FOR SÅDANNE SKADER. DU ANERKENDER, AT INTERNETTET INDEHOLDER INDBYGGEDE SIKKERHEDSRISICI. HIKMICRO PÅTAGER SIG INTET ANSVAR FOR

UNORMAL DRIFT, LÆKAGE AF PERSONLIGE OPLYSNINGER ELLER ANDRE SKADER SOM FØLGE AF CYBERANGREB, HACKERANGREB, VIRUSANGREB ELLER ANDRE INTERNETSIKKERHEDSRISICI. HIKMICRO VIL DOG YDE EVENTUEL NØDVENDIG OG RETTIDIG TEKNISK SUPPORT.

DU ERKLÆRER DIG INDFORSTÅET MED AT BRUGE PRODUKTET I OVERENSSTEMMELSE MED ALLE GÆLDENDE LOVE, OG DU ER ENEANSVARLIG FOR AT SIKRE, AT DIN BRUG OVERHOLDER AL GÆLDENDE LOVGIVNING. DU ER ISÆR ANSVARLIG FOR AT BRUGE PRODUKTET PÅ EN MÅDE, DER IKKE KRÆNKER TREDJEPARTERS RETTIGHEDER, HERUNDER, UDEN BEGRÆNSNINGER, RETTIGHEDER VEDRØRENDE OFFENTLIG OMTALE, INTELLEKTUELLE EJENDOMSRETTIGHEDER ELLER RETTIGHEDER VEDRØRENDE DATABESKYTTELSE OG ANDRE RETTIGHEDER VEDRØRENDE PERSONLIGE OPLYSNINGER. Du må ikke bruge produktet til ulovlig jagt på dyr, invasion af privatliv eller ethvert andet formål, der er ulovligt eller i modstrid med den offentlige interesse. DU MÅ IKKE BRUGE PRODUKTET TIL FORBUDTE SLUTANVENDELSER, HERUNDER UDVIKLING ELLER FREMSTILLING AF MASSEØDELÆGGELSESVÅBEN, UDVIKLING ELLER PRODUKTION AF KEMISKE ELLER BIOLOGISKE VÅBEN, AKTIVITETER I DEN KONTEKST, DER ER KNYTTET TIL ATOMBOMBER ELLER USIKKERT REAKTORBRÆNDSEL, ELLER SOM STØTTE TIL OVERTRÆDELSE AF MENNESKERETTIGHEDER.

I TILFÆLDE AF UOVERENSSTEMMELSE MELLEM VEJLEDNINGEN OG GÆLDENDE LOVGIVNING GÆLDER SIDSTNÆVNTE.

Lovgivningsmæssige oplysninger

EU-overensstemmelseserklæring



Produktet og eventuelt medfølgende tilbehør er mærket "CE" og opfylder derfor de gældende harmoniserede europæiske standarder, der er anført i EU-direktiv 2014/53/EU (RED), EU-direktiv 2014/30/EU (EMCD), EU-direktiv 2014/35/EU (LVD) og EU-direktiv 2011/65/EU (RoHS).



EU-direktiv 2012/19/EU (WEEE-direktivet): Produkter, der er mærket med dette symbol, kan ikke bortskaffes som almindeligt husholdningsaffald i EU. Med henblik på korrekt genbrug skal du aflevere produktet til din lokale leverandør ved køb af tilsvarende nyt udstyr eller aflevere det på et dertil indrettet indleveringssted. Find yderligere oplysninger på: www.recyclethis.info



Direktiv 2006/66/EF som ændret ved 2013/56/EU (batteridirektivet): Dette produkt indeholder et batteri, som ikke kan bortskaffes sammen med almindeligt husholdningsaffald i EU. Find specifikke oplysninger om batteriet i produktdokumentationen. Batteriet er mærket med dette symbol, som kan indeholde bogstaver, der indikerer indhold af kadmium (Cd), bly (Pb) eller kviksølv (Hg). Med henblik på korrekt genbrug skal du aflevere batteriet til din leverandør eller til et dertil indrettet indleveringssted. For yderligere oplysninger se: www.recyclethis.info.

Sikkerhedsanvisning

Disse anvisninger skal sikre, at brugeren kan anvende produktet korrekt og undgå fare eller tab af ejendom.

Love og bestemmelser

- Brug af dette produkt skal strengt overholde lokale bestemmelser for elektrisk sikkerhed.

Transport

- Opbevar enheden i den oprindelige eller en lignende emballage, når den skal transporteres.
- Gem al emballage efter udpakningen til senere brug. Du skal bruge den originale emballage til at returnere enheden til fabrikken, hvis der opstår fejl.
- Transport uden den originale emballage kan medføre skade på enheden, og virksomheden tager intet ansvar derfor.
- Tab ikke produktet, og udsæt det ikke for fysiske stød. Hold enheden væk fra magnetisk interferens.

Strømforsyning

- Adapteren skal købes særskilt. Indgangsspænding skal overholde LPS (Limited Power Source) (5 V jævnstrøm, 2 A) iht. standarden IEC61010-1. Du kan finde nærmere oplysninger i de tekniske specifikationer.
- Brug en strømadapter fra en godkendt fabrikant. Se de nærmere krav til strømforsyning i produktspecifikationerne.
- Batteriopladeren medfølger i pakken. Indgangsspændingen for den medfølgende batterioplader skal overholde kravene til den begrænsede strømkilde (LPS) (5 V jævnstrøm, 2A).
- Kontrollér, at stikket er sat godt i stikkontakten.
- Slut IKKE flere enheder til én strømadapter for at undgå overhedning eller brandfare som følge af overbelastning.

- Strømkilden skal overholde kravene i LPS eller PS2 iht. standarden IEC 60950-1 ELLER IEC 62368-1.

Batteri

- Forkert brug eller udskiftning af batteriet kan resultere i fare for eksplosion. Udskift kun med samme eller tilsvarende type.
- Brug et batteri fra en godkendt producent. Se de nærmere krav til batterier i produktspecifikationen.
- Batteritypen er 18650 med beskyttelsestavle, og batteristørrelsen skal ligge indenfor 19 mm x 70 mm. Den nominelle spænding og kapacitet er 3,6 V jævnstrøm/3,35 Ah (12,06 Wh). Bortskaf brugte batterier i overensstemmelse med batteriproducentens vejledning.
- Sørg for, at batteritemperaturen ligger fra 0 °C til 45 °C (32°F to 113°F) under opladningen.
- Hvis batteriet skal opbevares i en længere periode, skal du sikre, at det oplades fuldt hvert halve år for at bevare batteriets ydeevne. Ellers kan der opstå skade.
- Oplad ikke andre batterityper med den medfølgende oplader. Sørg for, at der ikke befinder sig brændbare materialer inden for 2 m fra opladeren under opladning.
- Batteriet må IKKE anbringes i nærheden af en varmekilde eller åben ild. Undgå direkte sollys.
- Batteriet må IKKE anbringes inden for børns rækkevidde.
- Batteriet kan ikke oplades direkte via en ekstern strømkilde.
- Enheden kan ikke oplades. Brug den medfølgende oplader til opladning af batteriet.

Vedligeholdelse

- Hvis produktet ikke virker korrekt, skal du kontakte din forhandler eller dit nærmeste servicecenter. Vi påtager os intet ansvar for problemer, der er forårsaget af uautoriseret reparation eller vedligeholdelse.
- Tør enheden forsigtigt af med en ren klud og en lille mængde ætanol, hvis det er nødvendigt.
- Hvis udstyret bruges på en måde, der ikke er angivet af producenten, kan den beskyttelse, der enheden giver, blive forringet.

Driftsmiljø

- Kontrollér, at driftsmiljøet opfylder enhedens krav. Driftstemperaturen skal ligge i området -30 °C til 55 °C (-22 °F til 131 °F), og luftfugtigheden skal ligge i området 5-95 %.
- Anbring enheden i et tørt og veludluftet miljø.
- Enheden må IKKE udsættes for kraftig elektromagnetisk stråling eller støvfylde miljøer.

- Objektivet må IKKE rettes mod solen eller et stærkt lys.
- Når der er et laserudstyr i brug, skal det kontrolleres, at enhedens objektiv ikke udsættes for laserstrålen, ellers kan det brænde ud.

Nødsituation

- Hvis enheden afgiver røg, lugt eller støj, skal du straks slukke for strømmen og trække strømkablet ud. Kontakt derefter servicecentret.

Laser



Når der er et laserudstyr i brug, skal det kontrolleres, at enhedens objektiv ikke udsættes for laserstrålen, ellers kan det brænde ud. Laserstrålen, der udsendes fra enheden, kan forårsage øjenskade, forbrændinger på huden eller antændelse af brandbare stoffer. Før du aktiverer funktionen Supplerende lys, skal du sikre, at der ikke er personer eller brandbare stoffer foran laserobjektivet. Anbring ikke enheden et sted, der er tilgængeligt for børn.

Producentens adresse

Værelse 313, Enhed B, Bygning 2, 399 Danfeng Vej, Xixing Underdistrikt, Binjiang Distrikt, Hangzhou, Zhejiang 310052, Kina
Hangzhou Microimage Software Co., Ltd.

MEDDELELSE OM OVERENSSTEMMELSE: Produkterne i den termografiske serie kan være underlagt eksportkontrol i forskellige lande eller områder, herunder, uden begrænsning, USA, EU, Storbritannien og/eller andre medlemslande i Wassenaar-aftalen. Kontakt din professionelle juraekspert, ekspert i overensstemmelse eller de lokale offentlige myndigheder for at få oplysninger om kravene for eksportlicens, hvis du har til hensigt at overføre, eksportere eller geneksportere enheder i den termiske serie mellem forskellige lande.

Norsk

1. Kort beskrivelse

Løsningen for termisk billede er utstyrt med høysensitiv IR-detektor, som benytter avansert termisk bildebehandlingsteknologi for å få klart syn i dårlig sikt eller mørke omgivelser. Den hjelper med å vise målet og måle avstanden. Den hjelper med å vise målet og måle avstanden. Enheten kan brukes f.eks. til søk og redning, jakt osv.

Enheten kan ta bilder og ta opp videoer, og parameterne kan stilles via HIKMICRO Sight-appen når den er koblet til telefonen via hot spot-funksjonalitet. Søk etter HIKMICRO Sight i App Store (iOS-system) eller Google Play™ (Android-system) for å laste ned, eller skann QR-koden for å laste ned og installere appen.



Android-system



iOS-system

For denne radioenheten gjelder følgende frekvensbånd, moduser og nominelle verdier for utstrålt effekt (utstrålt og ledet):

Wi-Fi 2,4 GHz (2,4 GHz til 2,4835 GHz)	20 dBm
--	--------

2. Utseende

Det finnes to typer termiske bilder. Se på det faktiske produktet for referanse. Knappene, komponentene og grensesnittet til de to typene termiske bilder er det samme.

Komponent og grensesnitt (side 1 – A)

No.	Komponent	Virkemåte
1	Strømknapp	<ul style="list-style-type: none"> ● Trykk: Standbymodus / vekk enheten ● Hold inne: Skru av/på
2	Måleknapp	<ul style="list-style-type: none"> ● Trykk: mål avstanden med laser ● Hold: ta bilde
3	Hjul	<ul style="list-style-type: none"> ● Trykk: Bytt palett ● Hold inne: menyoperasjon ● Roter: veksle digital zoom
4	Linsedeksel	Beskytt linsen.
5	Fokusering	Juster siktevisningen.
6	Laseravstandsmåler	Mål avstanden med laser.

7	Batteriavdeling	Installer batteriet i den.
8	Fikseringsring	Fest øyestykket.
9	Okular	Vis målet.
10	Datautvekslingsgrensesnitt	Tilkobling med ytterkabelen.

Knappekombinasjon

No.	Kombinasjon	Virkemåte
2 + 3	Måleknapp + hjul	Trykk samtidig for å starte eller stoppe opptak.
1 + 2 + 3	Av/på-knapp + måleknapp + hjul	Trykk samtidig for å åpne den skjulte menyen.

3. Installer batteri (side 3 – B)

Instruksjoner

1. Vri batteridekselet mot klokken for å løsne det.
2. Sett inn batteriet i batteriluken med plussymbolet vendt innover.
3. Vri batteridekselet med klokken for å stramme det til.

Merk: Ta ut batteriet dersom du ikke skal bruke enheten på en lang stund.

4. Installer skinne (side 4 – C)

Instruksjoner

1. Installer enheten på skinnen som angitt av de svarte pilene.
2. Sett inn og stram skruene.
3. Stram spakene for å sikre enheten.

Merk:

- Slå først av enheten.
- Bruk den støvfrie kluten til å rengjøre enhetens base og skinnen.

5. Tilkoble enhet (side 5 – E)

Instruksjoner

1. Skru på enheten, og kontroller at funksjonen for trådløst punkt er deaktivert.
2. Løft dekselet til datautvekslingsgrensesnittet.
3. Koble enheten og strømadapteren til datamaskinen med en type

C-kabel for å slå på enheten. Alternativt kan enheten kobles til PC og filene kan eksporteres.

Brukerhåndbok



Juridisk informasjon

©2022 Hangzhou Microimage Software Co., Ltd. Med enerett.

Om denne Brukerhåndboken

Denne brukerhåndboken forklarer hvordan produktet skal brukes og vedlikeholdes. Bilder, tabeller og all annen informasjon er kun ment som beskrivelser og forklaringer. Informasjonen i brukerhåndboken kan bli endret uten varsel, f.eks. på grunn av fastvareoppdateringer. Du finner den nyeste versjonen av denne håndboken på nettstedet til HIKMICRO (www.hikmicrotech.com/).

Bruk denne håndboken i kombinasjon med hjelp fra profesjonelle fagfolk når du bruker produktet.

Varemerkeinformasjon

 HIKMICRO og andre av HIKMICROs varemerker og logoer eies av HIKMICRO i forskjellige jurisdiksjoner.

Andre varemerker og logoer som presenteres, tilhører sine respektive eiere.

JURIDISK INFORMASJON

DENNE HÅNDBOKEN OG PRODUKTET DEN GJELDER FOR (MASKINVARE, FASTVARE OG PROGRAMVARE) LEVERES «SOM DET ER», INKLUDERT ALLE FEIL OG MANGLER, TIL DEN GRAD DETTE TILLATES AV GJELDENDE LOVVERK. HIKMICRO GIR INGEN GARANTIER, HVERKEN DIREKTE ELLER UNDERFORSTÅTTE, OM BLANT ANNET SALGBARHET, TILFREDSSTILLENDE KVALITET ELLER EGNETHET FOR SPESIFIKKE FORMÅL. ALL BRUK AV PRODUKTET SKJER UTELUKKENDE PÅ DIN EGEN RISIKO. HIKMICRO ER IKKE UNDER NOEN OMSTENDIGHETER ANSVARLIGE OVERFOR DEG FOR EVENTUELLE SPESIELLE SKADER. FØLGESKADER, TILFELDIGE SKADER ELLER INDIREKTE SKADER, INKLUDERT BLANT ANNET TAP AV FORTJENESTE, AVBRUDD I FORRETNINGSDRIFT, TAP AV DATA, SKADER PÅ DATASYSTEMER ELLER TAP AV DOKUMENTASJON SOM OPPSTÅR I FORBINDELSE MED BRUKEN AV DETTE PRODUKTET, UAVHENGIG AV OM DETTE SKJER GRUNNET KONTRAKTSBRUDD, FORSØMMELSE, PRODUKTFEIL

ELLER ANNET, SELV NÅR HIKMICRO HAR BLITT VARSLET OM AT SLIKE SKADER KAN OPPSTÅ.

DU ERKJENNER AT SIKKERHETSRIKHOER LIGGER I INTERNETTS NATUR, OG AT HIKMICRO IKKE TAR NOE ANSVAR FOR UNORMAL DRIFT, LEKKASJER AV PERSONVERN ELLER ANDRE SKADER SOM FØLGER AV CYBERANGREP, VIRUSINFISERING ELLER ANDRE INTERNETTRIKHOER. IMIDLERTID VIL HIKMICRO LEVERER TIDLIG TEKNISK SUPPORT HVIS NØDVENDIG.

DU GODTAR Å BRUKE DETTE PRODUKTET I SAMSVAR MED ALLE GJELDENE LOVER, OG AT DU ER ENEANSVARLIG FOR Å FORSIKRE DEG OM AT DIN BRUK SKJER I SAMSVAR MED GJELDENE LOVER. SPESIFIKT NEVNES AT DU ER ANSVARLIG FOR Å BRUKE DETTE PRODUKTET PÅ EN MÅTE SOM IKKE KRENKER RETTIGHETENE TIL TREDJEPARTER, BLANT ANNET RETT TIL PUBLISERING, IMMATERIELLE EIENDOMSRETTIGHETER ELLER LOVER OM DATABESKYTTELSE OG PERSONVERN. Du må ikke bruke dette produktet til ulovlig jakt på dyr, brudd på privatlivets fred eller andre formål som er ulovlige eller strider mot offentlighetens interesser. DU SKAL IKKE BRUKE PRODUKTET TIL ULOVLIGE FORMÅL, BLANT ANNET UTVIKLING ELLER PRODUKSJON AV MASSEØDELEGGELSESVÅPEN, UTVIKLING ELLER PRODUKSJON AV KJEMISKE OG BIOLOGISKE VÅPEN, ENHVER FORM FOR AKTIVITET KNYTTET TIL KJERNEVÅPEN ELLER UTRYGG BRUK AV KJERNEFYSISK MATERIALE ELLER I FORBINDELSE MED BRUDD PÅ MENNESKERETTIGHETENE.

HVIS DET OPPSTÅR KONFLIKTER MELLOM BRUKERHÅNDBOKEN OG GJELDENE LOVVERK, ER DET SISTNEVNTE SOM GJELDER.

Regulatorisk informasjon

Samsvarserklæring for EU



Dette produktet og (hvis relevant) tilbehøret som følger med, er merket «CE», og overholder dermed de gjeldende, harmoniserte europeiske standardene som beskrives i direktiv 2014/53/EU (RED), direktiv 2014/30/EU (EMCD), direktiv 2014/35/EU (LVD) og direktiv 2011/65/EU (RoHS).



Direktiv 2012/19/EU (WEEE-direktivet): Produkter som er merket med dette symbolet kan ikke kastes som restavfall innenfor EU. Produktet skal returneres for resirkulering, enten til en forhandler/leverandør eller på en miljøstasjon eller et lignende, godkjent mottakssted. For mer informasjon, se www.recyclethis.info.



Direktiv 2006/66/EC og dets endring 2013/56/EU (batteridirektivet): Dette produktet inneholder et batteri som ikke kan kastes som restavfall innenfor EU. Se produktinformasjonen for spesifikk informasjon om batteriet. Batteriet er merket med dette symbolet, som også kan inneholde bokstaver for å indikere at det inneholder kadmium (Cd), bly (Pb) eller kvikksølv (Hg). Batteriet skal returneres for resirkulering, enten til en forhandler/leverandør eller til et godkjent mottakssted. For mer informasjon, se www.recyclethis.info.

Sikkerhetsinstruksjoner

Formålet med disse instruksjonene er at brukeren skal kunne bruke produktet riktig for å unngå skade og tap av eiendom.

Lover og forskrifter

- Bruk av produktet må være i fullstendig samsvar med lokale sikkerhetsregulering for elektrisitet.

Transport

- Enheten skal oppbevares i den originale emballasjen (eller lignende) under transport.
- Oppbevar all emballasje etter åpning for fremtidig bruk. I tilfelle det oppstår feil, må du returnere enheten til fabrikkens i den originale emballasjen.
- Transport uten den originale emballasjen kan føre til skader på enheter, et ansvar som ikke dekkes av selskapet.
- Produktet må ikke slippes i bakken eller utsettes for fysiske støt. Hold enheten borte fra magnetiske forstyrrelser.

Strømforsyning

- Kjøp adapter separat. Inngangseffekten skal overholde kravene til begrenset strømkilde (5 VDC, 2 A) i standarden IEC61010-1. Les den tekniske dokumentasjonen for mer informasjon.
- Bruk en strømadapteren fra en kvalifisert produsent. Les produktinformasjonen for mer informasjon om strømkravene.
- Batteriladeren følger med i pakken. Inngangseffekten for batteriladeren skal overholde kravene til begrenset strømkilde (5 V DC, 2 A).
- Sørg for at kontakten er satt riktig inn i stikkontakten.
- Koble IKKE flere enheter til ett strømadapter. Overbelastning av adaptere kan føre til overoppheting og brannfare.
- Strømkilden skal oppfylle begrensede strømkilder eller PS2-krav i henhold til IEC 60950-1- ELLER IEC 62368-1-standard.

Batteri

- Feil bruk eller bytte av batteriet kan medføre eksplosjonsfare. Erstatt det kun med samme eller tilsvarende type.
- Bruk batterier levert av en godkjent produsent. Se produktspesifikasjonene for detaljer om batterikrav.
- Batteriet er av type 18650 med beskyttelsestavle, og batteristørrelsen skal være 19 mm x 70 mm. Den angitte spenningen og kapasiteten er 3,6 V DC / 3,35 Ah (12,06 Wh). Avhending av brukte batterier skjer i samsvar med instruksjonene gitt av batteriprodusenten.
- Sørg for at batteritemperaturen er mellom 0 °C til 45 °C (32 °F til 113 °F) under lading.
- Ved langvarig lagring må batteriet fullades hvert halvår for å bevare batterikvaliteten. Hvis ikke kan det oppstå skader.
- Ikke lad andre batterityper med den leverte laderen. Bekreft at det ikke finnes brennbart materiale innenfor 2 m fra laderen under lading.
- IKKE plasser batteriet i nærheten av oppvarming eller åpen ild. Unngå direkte sollys.
- IKKE plasser batteriet i nærheten av barn.
- Batteriet kan ikke lades direkte med ekstern strømkilde.
- Enheten kan ikke lades. Bruk den leverte laderen til å lade batteriet.

Vedlikehold

- Hvis produktet ikke fungerer som det skal, må du kontakte forhandleren eller nærmeste servicesenter. Vi har ikke noe som helst ansvar for problemer forbundet med uautorisert reparasjon eller vedlikehold.
- Tørk forsiktig av enheten med en ren klut og en liten mengde etanol ved behov.
- Hvis enheten brukes på måter som ikke støttes av produsenten, kan enheten og funksjonene dens forringes.

Bruksomgivelser

- Sørg for at bruksomgivelsene oppfyller kravene til enheten. Temperaturen ved bruk skal være -30 °C til 55 °C (-22 °F til 131 °F) og luftfuktighet en skal være 5 % til 95 %.
- Plasser enheten i et tørt og godt ventilert miljø.
- IKKE eksponer enheten for høy elektromagnetisk stråling eller støvete miljøer.
- Linsen må IKKE rettes mot solen eller andre sterke lyskilder.
- Når laserutstyr er i bruk, må det sørges for at enhetens linse ikke eksponeres for laserstrålen for å unngå at den brenner ut.

Nød

- Hvis det kommer røyk, lukt eller støy fra enheten, må du øyeblikkelig

skru av strømmen, trekke ut strømledningen og kontakte et servicesenter.

Laser



Når laserutstyr er i bruk, må det sørges for at enhetens linse ikke eksponeres for laserstrålen for å unngå at den brenner ut. Laserstrålingen som enheten avgir kan forårsake øyeskader, brannskader eller brennbare stoffer. Før Lyssupplement-funksjonen aktiveres, må du kontrollere at ingen personer eller brennbare stoffer er plassert foran laserlinsen. Ikke plasser utstyret i nærheten av mindreårige.

Produsentens adresse

Rom 313, enhet B, bygning 2, 399 Danfeng-veien, Xixing Subdistrict, Binjiang-distriktet, Hangzhou, Zhejiang 310052, Kina
Hangzhou Microimage Software Co., Ltd.

MERKNAD OM SAMSVAR: Produktene i termoserien kan bli underlagt eksportkontroller i forskjellige land eller regioner, inkludert, uten begrensning, USA, Den europeiske union, Storbritannia og Nord-Irland og/eller andre medlemsland i Wassenaar-avtalen. Snakk med din profesjonelle juridiske ekspert eller samsvarekspert, eller lokale myndigheter for eventuelle nødvendige eksportlisenskrav hvis du ønsker å overføre, eksportere, re-eksportere termoserie-produkter mellom forskjellige land.

Suomi

1. Lyhyt kuvaus

Lämpötähtäin on varustettu erittäin herkällä infrapunatunnistimella ja siinä käytetään edistynyttä lämpökuvantamistekniikkaa, mikä tuottaa selkeän kuvan huonossa näkyvyydessä tai pimeässä ympäristössä. Se auttaa näkemään kohteen ja mittaamaan etäisyyden. Se auttaa näkemään kohteen ja mittaamaan etäisyyden. Laitetta voidaan käyttää laajalti etsintä- ja pelastustoimissa, metsästyksessä jne.

Laitteella voidaan ottaa tilannekuvia, taltioida videoita ja asettaa parametreja HIKMICRO Sight -sovelluksella, kun se on yhdistetty puhelimeen yhteyspisteen kautta. Lataa sovellus etsimällä HIKMICRO

Sight -nimellä App Storesta (iOS-järjestelmä) tai Google Play™ -kaupasta (Android-järjestelmä) tai skannaa QR-koodi ja lataa ja asenna sovellus.



Android-käyttöjärjestelmä



iOS-käyttöjärjestelmä

Tähän radiolaitteeseen sovellettavat taajuuskaistat ja -tilat sekä lähetetyn tehon (säteilevän ja/tai voimalinjaperäisen) nimellisrajat ovat seuraavat:

Wi-Fi 2,4 GHz (2,4–2,4835 GHz)	20 dBm
--------------------------------	--------

2. Ulkonäkö

Lämpötähtäimiä on kaksi tyyppiä. Katso todellisen tuotteen mallin mukaan. Lämpötähtäimen molempien tyyppien painikkeet, komponentit ja käyttöliittymät ovat samoja.

Komponentit ja liitännät (sivu 1 – A)

Nro	Komponentti	Toiminto
1	Virtapainike	<ul style="list-style-type: none">● Paina: valmiustila / aktivoi laite● Pidä painettuna: virta päälle/pois
2	Mittapainike	<ul style="list-style-type: none">● Paina: mittaa etäisyys laserilla● Pidä painettuna: kuvaa
3	Pyörä	<ul style="list-style-type: none">● Paina: vaihda palettia● Pidä painettuna: valikkotoiminto● Kierrä: vaihda digitaalista zoomausta
4	Linssin suojus	Suojaa linssiä.
5	Tarkennusrengas	Säädä näkymää.
6	Lasertelemetri	Mittaa etäisyys laserilla.
7	Akkulokero	Asenna akku siihen.
8	Kiinnitysrengas	Kiinnittää okulaarin.
9	Okulaari	Kohteen katsominen.

10	Tiedonsiirtoliitäntä	Yhdistä lähtökaapeli.
----	----------------------	-----------------------

Painikeyhdistelmä

Nro	Yhdistelmä	Toiminto
2 + 3	Mittapainike + pyörä	Käynnistä tai pysäytä tallennus painamalla samanaikaisesti.
1 + 2 + 3	Virtapainike + mittapainike + pyörä	Siirry piilotettuun valikkoon painamalla samanaikaisesti.

3. Asenna akku (sivu 3 – B)

Vaiheet

1. Löysää akkulokeron kantta kiertämällä sitä vastapäivään.
2. Työnnä akku akkulokeroon positiivinen merkki sisäänpäin.
3. Kiristä akkulokeron kansi kiertämällä sitä myötäpäivään.

Huomautus: poista paristot, jos et käytä laitetta pitkään aikaan.

4. Asenna kisko (sivu 4 – C)

Vaiheet

1. Asenna laite kiskoon mustan nuolen mukaisesti.
2. Aseta ja kiristä ruuvit.
3. Kiinnitä laite kiristämällä vipuja.

Huomautus:

- Kytke laite ensin pois päältä.
- Käytä nukkaamatonta liinaa ja puhdista laitteen pohja ja kisko.

5. Yhdistä laite (sivu 5 – E)

Vaiheet

1. Käynnistä laite ja varmista, että yhteyspistetoiminto on poistettu käytöstä.
2. Nosta tiedonsiirtoliitännän kansi.
3. Yhdistä laite ja virtasovitin Type-C-kaapelilla laitteen virran kytkemiseksi. Voit yhdistää laitteen myös tietokoneeseen tiedostojen viemistä varten.

Käyttöopas



Oikeudelliset tiedot


©2022 Hangzhou Microimage Software Co., Ltd. Kaikki oikeudet pidätetään.

Tietoa käyttöohjeesta

Käyttöohjeessa on ohjeita tuotteen käyttämiseen ja hallintaan liittyen. Kuvat, kaaviot ja muut tiedot ovat tästä eteenpäin ainoastaan kuvaus- ja selitystarkoituksiin. Käyttöohjeen sisältämiä tietoja voidaan muuttaa ilman erillistä ilmoitusta laiteohjelmiston päivityksen vuoksi tai muusta syystä. Etsi tämän käyttöoppaan viimeisin versio HIKMICRO-verkkosivustolta (www.hikmicrotech.com/).

Käytä tätä käyttöopasta ohjeena ja tuotteen käyttöön koulutettujen ammattilaisten apuna.

Tavaramerkkien tunnustaminen

 HIKMICRO ja muut HIKMICRO-yhtiön tavaramerkit ja logot ovat HIKMICRO-yhtiön omaisuutta eri lainkäyttöalueilla.

Muut mainitut tavaramerkit ja logot ovat omistajiensa omaisuutta.

VASTUUVAPAUSLAUSEKE

TÄMÄ KÄYTTÖOPAS JA KUVATTU TUOTE (SISÄLTÄÄ LAITTEISTON, OHJELMISTON JA LAITEOHJELMISTON) TOIMITETAAN SELLAISENAAN KAIKKINE VIKOINEEN JA VIRHEINEEN SIINÄ MÄÄRIN KUIN SOVELLETTAVAT LAIT SEN SALLIVAT. HIKMICRO EI ANNA MITÄÄN NIMEENOMAISIA TAI EPÄSUORIA TAKUITA, MUKAAN LUKIEN NÄIHIN KUITENKAAN RAJOITTUMATTA, MYYNTIKELPOISUUS, TYYDYTTÄVÄ LAATU TAI SOVELTUVUUS TIETTYYN KÄYTTÖTARKOITUKSEEN. TUOTTEEN KÄYTTÖ ON TÄYSIN OMALLA VASTUULLASI. HIKMICRO EI OLE MISSÄÄN TAPAUKSESSA VASTUUSSA SINULLE MISTÄÄN TUOTTEEN KÄYTTÄMISEEN LIITTYVISTÄ ERITYISISTÄ, SEURAAMUKSELLISISTA, TAHATTOMISTA TAI EPÄSUORISTA VAHINGOISTA, MUKAAN LUKIEN MUIDEN LISÄKSI LIIKETOIMINNAN TUOTON MENETTÄMINEN, LIIKETOIMINNAN KESKEYTYMINEN, TIETOJEN MENETTÄMINEN, JÄRJESTELMIEN VAHINGOITTUMINEN, DOKUMENTAATION MENETTÄMINEN, RIIPPUMATTA SIITÄ, ONKO KYSEESSÄ SOPIMUSRIKKOMUS, VAHINKO (MUKAAN LUKIEN HUOLIMATTOMUUS), TUOTEVASTUU TAI MUU, VAIKKA HIKMICROLLE OLISI ILMOITETTU NÄIDEN VAHINKOJEN TAI

MENETYSTEN MAHDOLLISUUDESTA.

HYVÄKSYT, ETTÄ INTERNET SISÄLTÄÄ LUONNOSTAAN TIETOTURVARISKEJÄ, EIKÄ HIKMICRO OLE VASTUUSSA EPÄNORMAALISTA TOIMINNASTA, YKSITYISTIETOJEN VUOTAMISESTA TAI MUISTA VAHINGOISTA, JOTKA JOHTUVAT TIETOVERKKOHYÖKKÄYKSISTÄ, HAKKERIHYÖKKÄYKSISTÄ, VIRUSTARTUNNASTA TAI MUISTA TIETOTURVARISKEISTÄ, MUTTA HIKMICRO TARJOAA TARVITTAESSA TEKNISTÄ TUKEA.

SUOSTUT KÄYTTÄMÄÄN TÄTÄ TUOTETTA KAIKKIEN SOVELLETTAVISSA OLEVIEN LAKIEN MUKAISESTI, JA OLET YKSIN VASTUUSSA SEN VARMISTAMISESTA, ETTÄ KÄYTTÖSI NOUDATTAO SOVELLETTAVISSA OLEVAA LAKIA. OLET ERITYISESTI VASTUUSSA TÄMÄN TUOTTEEN KÄYTTÄMISESTÄ SELLAISELLA TAVALLA, ETTÄ KÄYTTÖ EI RIKO KOLMANSIEN OSAPUOLTEN OIKEUKSIA, MUKAAN LUKIEN MUTTA NÄIHIN RAJOITTUMATTA, JULKAISUOIKEUS, IMMATERIAALIOIKEUDET TAI TIETOSUOJA JA MUUT YKSITYISYYDEN SUOJAT. Sinulla ei ole lupaa käyttää tätä laitetta laittomaan metsästykseseen, yksityisyyden loukkaamiseen tai muihin laittomiin tai haitallisesti yleiseen etuun vaikuttaviin tarkoituksiin. SINULLA EI OLE LUPAA KÄYTTÄÄ TÄTÄ TUOTETTA MIHINKÄÄN KIELLETTYYN TARKOITUKSEEN, MUKAAN LUKIEN JOUKKOTUHOASEIDEN KEHITYS TAI TUOTANTO, KEMIAALLISTEN TAI BIOLOGISTEN ASEIDEN KEHITYS TAI TUOTANTO TAI MIHINKÄÄN TOIMINTOIHIN, JOTKA LIITTYVÄT MIHINKÄÄN YDINASEESEEN TAI VAARALLISEEN YDINPOLTTOAINEKIERTOON TAI IHMISOIKEUKSIEN RIKKOMISEN TUKEMISEEN.

MIKÄLI TÄMÄ KÄYTTÖOPAS JA SOVELLETTAVA LAKI OVAT RISTIRIIDASSA, SOVELLETAAN JÄLKIMMÄISTÄ.

Säntelyä koskevat tiedot

EU-vaatimusten mukaisuusvakuutus



Tämä tuote ja sen lisälaitteet, mikäli käytössä, on merkitty CE-merkinnällä, ja ne täyttävät sovellettavat yhdenmukaistetut eurooppalaiset standardit, jotka on lueteltu direktiivissä 2014/53/EU(RED), direktiivissä 2014/30/EU(EMCD), direktiivissä 2014/35/EU(LVD), direktiivissä 2011/65/EU(RoHS).



Direktiivi 2012/19/EU (WEEE-direktiivi): Tällä symbolilla merkittyjä tuotteita ei saa hävittää lajittelemattoman yhdyskuntajätteen mukana Euroopan unionissa. Kierrätä tuote asianmukaisesti palauttamalla se paikalliselle myyjälle vastaavan uuden laitteen hankkimisen yhteydessä tai viemällä se asianmukaiseen keräyspisteeseen. Lue lisää



osoitteesta www.recyclethis.info

Direktiivi 2006/66/EY ja sen muutodirektiivi 2013/56/EU (paristodirektiivi): Tässä tuotteessa on paristo tai akku, jota ei saa hävittää lajittelemattoman yhdyskuntajätteen mukana Euroopan unionissa. Lisätietoja paristosta tai akusta on tuotteen asiakirjoissa. Paristo tai akku on merkitty tällä symbolilla, ja siihen voi sisältyä käytetyn aineen eli kadmiumin (Cd), lyijyn (Pb) tai elohopean (Hg) kirjainmerkintä. Kierrätä paristo tai akku asianmukaisesti viemällä se myyjälle tai asianmukaiseen keräyspisteeseen. Lisätietoja: www.recyclethis.info.

Turvallisuusohjeet

Näiden ohjeiden tarkoituksena on varmistaa, että käyttäjä voi käyttää laitetta oikein ja välttää vaaratilanteet tai omaisuusvahingot.

Lait ja määräykset

- Tuotteen käytössä on noudatettava tarkasti paikallisia sähköturvallisuusmääräyksiä.

Kuljetus

- Säilytä laitetta alkuperäispakkauksessaan tai sitä vastaavassa pakkauksessa, kun kuljetat sitä.
- Säilytä kaikki pakkaukset myöhempää käyttöä varten. Jos laitteeseen tulee vika, laite on palautettava tehtaalte alkuperäispakkauksessaan.
- Kuljettaminen muussa kuin alkuperäispakkauksessa voi johtaa laitteen vahingoittumiseen, eikä yritys ota siitä mitään vastuuta.
- Älä pudota tuotetta tai altista sitä iskuille. Pidä laite loitolla magneettisten häiriöiden lähteistä.

Virtalähde

- Virtasovitin on hankittava erikseen. Tulojännitteen on vastattava LPS-virtalähteelle (5 V DC, 2 A) asetettuja vaatimuksia IEC61010-1 -standardin mukaisesti. Lisätietoa on tuotteen teknisissä tiedoissa.
- Käytä pätevän valmistajan toimittamaa virtasovitinta. Tuotteen teknisissä tiedoissa on lisätietoa virtaa koskevista vaatimuksista.
- Akkulaturi sisältyy toimitukseen. Toimitetun akkulaturin tulojännitteen on vastattava LPS-virtalähteelle (5 V DC, 2 A) asetettuja vaatimuksia.
- Varmista, että pistoke on liitetty oikein pistorasiaan.
- ÄLÄ liitä useita laitteita samaan virtasovittimeen ylikuormituksesta aiheutuvan tulipalovaaran välttämiseksi.
- Virtalähteen tulee täyttää rajoitetun virtalähteen tai PS2:n vaatimukset standardin IEC 60950-1 tai IEC 62368-1 mukaisesti.

Akku

- Akun tai pariston virheellinen käyttö tai vaihtaminen voi aiheuttaa räjähdysvaaran. Vaihda akku tai paristo ainoastaan samanlaiseen tai vastaavaan tuotteeseen.
- Käytä pätevän valmistajan toimittamaa akkua. Tuotteen teknisissä tiedoissa on lisätietoa akkua koskevista vaatimuksista.
- Suojapiirillisen akun tyyppi on 18650 ja akun koko 19 × 70 mm. Nimellisjännite ja -kapasiteetti ovat 3,6 V DC / 3,35 Ah (12,06 Wh). Hävitä käytetyt akut ja paristot valmistajan antamien ohjeiden mukaisesti.
- Varmista, että akun lämpötila on latauksen aikana 0-45 °C.
- Kun akkua varastoidaan pitkän aikaa, varmista, että se ladataan täyteen puolen vuoden välein. Näin varmistetaan akun suorituskyvyn säilyminen. Muuten voi syntyä vahinkoja.
- Älä lataa muita akkutyyppejä mukana toimitetulla laturilla. Varmista, että kahden metrin säteellä laturista ei ole syttyvää materiaalia latauksen aikana.
- ÄLÄ laita akkua lämmönlähteen tai tulen lähelle. Vältä suoraa auringonvaloa.
- ÄLÄ aseta akkua lasten ulottuville.
- Akkua ei voi ladata suoraan ulkoisella virtalähteellä.
- Laitetta ei voi ladata. Lataa akku käyttämällä mukana toimitettua laturia.

Kunnossapito

- Jos tuote ei toimi oikein, ota yhteys jälleenmyyjään tai lähimpään huoltokeskukseen. Emme ole vastuussa ongelmista, jotka johtuvat luvattomista korjaus- tai huoltotöistä.
- Pyyhi laitteen pinnat varovaisesti puhtaalla liinalla ja tarvittaessa pienellä määrällä etanolia.
- Jos laitetta käytetään muulla kuin valmistajan määrittämällä tavalla, laitteen tarjoama suojaus saattaa heikentyä.

Käyttöympäristö

- Varmista, että käyttöympäristö täyttää laitteelle määritetyt vaatimukset. Käyttölämpötilan on oltava -30–55 °C ja ilmankosteuden 5–95 %.
- Sijoita laite kuivaan ja hyvin ilmastoituun paikkaan.
- ÄLÄ altista laitetta suurelle sähkömagneettiselle säteilylle tai pölyiselle ympäristölle.
- ÄLÄ suuntaa objektiivia aurinkoon tai muuhun kirkkaaseen valoon.
- Kun laserlaitetta käytetään, varmista, ettei lasersäde osu laitteen kennoon. Muussa tapauksessa kenno voi palaa.

Hätä

- Jos laitteesta erittyy savua tai hajua tai laite pitää ääntä, kytke laitteen virta pois päältä, irrota virtajohto ja ota yhteyttä palvelukeskukseen.

Laser



Kun laserlaitetta käytetään, varmista, ettei lasersäde osu laitteen kennoon. Muussa tapauksessa kenno voi palaa. Laitteesta säteilevä lasersäteily voi aiheuttaa silmävammoja tai ihon ja syttyvien aineiden palamista. Ennen lisävalotoiminnon käyttöönottoa varmista, ettei laserlinssin edessä ole ihmisiä tai syttyviä aineita. Älä aseta laitetta alaikäisten ulottuville.

Valmistajan osoite

Huone 313, yksikkö B, rakennus 2, 399 Danfeng-tie, Xixing-alapiirikunta, Binjiang-piirikunta, Hangzhou, Zhejiang 310052, Kiina
Hangzhou Microimage Software Co., Ltd.

VAATIMUSTENMUKAISUUSILMOITUS: Lämpöteknologiatuotteisiin saattaa kohdistua vientivalvontaa eri maissa tai alueilla, mukaan lukien rajoituksetta Yhdysvallat, Euroopan unioni, Yhdistynyt kuningaskunta ja/tai muut Wassenaarin järjestelyn jäsenmaat. Neuvottele oikeudellisen asiantuntijan tai vaatimustenmukaisuusasiantuntijan tai paikallisen viranomaisen kanssa saadaksesi tietoja vientilupavaatimuksista, jos aiot siirtää, viedä tai jälleenviedä lämpöteknologiatuotteita eri maihin.

Svenska

1. Kort beskrivning

Kikarsiktet med värmekamera innehåller en IR-detektor med hög känslighet och använder avancerad värmekamerateknik för att skapa en tydlig bild vid dålig sikt eller i mörka miljöer. Det hjälper dig att se målet och att mäta avståndet. Det hjälper dig att se målet och att mäta avståndet. Det går inte att använda enheten allmänt för sökning och räddning, jakt osv.

Enheten kan ta stillbilder, spela in video och ställa in parametrar med appen HIKMICRO Sight efter anslutning till din telefon via en åtkomstpunkt. Sök efter HIKMICRO Sight på App Store (iOS-system) eller Google Play™ (Android-system) för att ladda ned den, eller skanna

QR-koden för att ladda ned och installera appen.



Android-system



iOS-system

Följande frekvensband, lägen och nominella begränsningar av sändareffekt (utstrålad och/eller kopplad) gäller för denna radioenhet:

WiFi 2,4 GHz (2,4 till 2,4835 GHz)	20 dBm
------------------------------------	--------

2. Utseende

Det finns två typer av kikarsikten med värmeavbildning. Ha den faktiska kameran som referens. Knapparna, komponenterna och gränssnitten i de två typerna av termiska kikarsikten är likadana.

Delar och anslutningar (sida 1 – A)

Nr	Del	Funktion
1	Strömknapp	<ul style="list-style-type: none">● Tryck: viloläge/aktivera enhet● Håll intryckt: starta/stäng av
2	Mätknapp	<ul style="list-style-type: none">● Tryck: mät avståndet med laser● Håll intryckt: ta bild
3	Hjul	<ul style="list-style-type: none">● Tryck: byt paletter● Håll ned: menyåtgärder● Vrid: byt digital zoom
4	Linsskydd	Skyddar objektivet.
5	Fokusring	Justera siktesvyn.
6	Laseravståndsmätare	Mäta avståndet med laser.
7	Batterifack	Montera batteriet.
8	Fixeringsring	Fixera okularet.
9	Okular	Visar målet.

10	Gränssnitt för dataöverföring	Ansluta med utgångskabel.
----	-------------------------------	---------------------------

Knappkombination

Nr	Kombination	Funktion
2 + 3	Mätknapp + hjul	Tryck samtidigt för att starta eller stoppa inspelning.
1 + 2 + 3	Strömbrytare + mätknapp + hjul	Tryck samtidigt för att öppna den dolda menyn.

3. Montering av batteri (sida 3 – B)

Steg

1. Vrid batteriluckan moturs för att öppna den.
2. För in batteriet i batterifacket med plussidan inåt.
3. Vrid batteriluckan medurs för att stänga den.

Obs! Ta ur batteriet om du inte använder enheten under en längre tid.

4. Montera skena (sida 4 – C)

Steg

1. Montera enheten på skenan på det sätt som den svarta pilen visar.
2. Sätt i och dra åt skruvarna.
3. Dra åt spakarna för att fästa enheten.

Obs!

- Stäng av enheten först.
- Använd en dammfri duk för att rengöra enhetens bas och skenan.

5. Anslutning av enheten (sida 5 – E)

Steg

1. Slå på enheten och se till att funktionen för åtkomstpunkt är inaktiverad.
2. Lyft höljet för datautbytesgränssnitt.
3. Anslut enheten till strömadaptern med en typ C-kabel för att slå på enheten. Eller, så kan du ansluta enheten till en PC för att exportera filer.

Bruksanvisning



Juridisk information


©2022 Hangzhou Microimage Software Co., Ltd. Alla rättigheter förbehålles.

Om bruksanvisningen

Bruksanvisningen innehåller anvisningar för användning och underhåll av produkten. Bilder, diagram och illustrationer och all annan övrig information är enbart avsedda som beskrivningar och förklaringar. Informationen i bruksanvisningen kan, utan föregående meddelande, komma att ändras, vid uppgradering av fast programvara eller av andra skäl. Den senaste versionen av bruksanvisningen finns på HIKMICRO:s webbplats (www.hikmicrotech.com/).

Använd bruksanvisningen tillsammans med vägledning och assistans från yrkespersoner som utbildats i att ge stöd för produkten.

Deklaration avseende varumärken

 HIKMICRO och övriga av HIKMICRO:s varumärken och logotyper tillhör HIKMICRO i olika jurisdiktioner.

Andra varumärken och logotyper som omnämns tillhör respektive ägare.

ANSVARFRISKRIVNING

BRUKSANVISNINGEN OCH DEN PRODUKT SOM BESKRIVS, MED DESS HÅRDVARA, MJUKVARA OCH FIRMWARE TILLHANDAHÅLLES "I BEFINTLIGT SKICK" OCH "MED ALLA FEL OCH BRISTER" SÅ LÅNGT DETTA ÄR TILLÅTET ENLIGT TILLÄMPLIG LAGSTIFTNING. HIKMICRO UTFÄRDAR INGA GARANTIER, VARKEN UTTRYCKLIGA ELLER UNDERFÖRSTÅDDA, INKLUDERANDE UTAN BEGRÄNSNING, FÖR SÄLJBARHET, TILLFREDSSTÄLLANDE KVALITET ELLER LÄMPLIGHET FÖR ETT VISST ÄNDAMÅL. ANVÄNDNING AV PRODUKTEN SKER HELT PÅ EGEN RISK. DU SKA INTE UNDER NÅGRA OMSTÄNDIGHETER HÅLLA HIKMICRO ANSVARIGA FÖR NÅGRA SÄRSKILDA SKADOR, FÖLJDSKADOR ELLER INDIREKTA SKADOR, INKLUSIVE, BLAND ANNAT SKADESTÅND FÖR FÖRLORAD AFFÄRSVINST, VERKSAMHETSSTÖRNING, FÖRLUST AV DATA ELLER DOKUMENTATION, OAVSETT OM DETTA BASERAS PÅ AVTALSBROTT, ÅTALBAR HANDLING (INKLUSIVE FÖRSUMLIGHET), PRODUKTANSVAR ELLER ANNAT I SAMBAND MED ANVÄNDNINGEN AV PRODUKTEN, ÄVEN OM HIKMICRO HAR MEDDELATS ATT RISKEN FÖR SÅDANA SKADOR ELLER FÖRLUSTER

FÖRELIGGER.

DU BEKRÄFTAR ATT INTERNETS NATUR INNEBÄR INBYGGDA SÄKERHETSRISKER OCH HIKMICRO TAR INGET ANSVAR FÖR ONORMAL ANVÄNDNING, INTEGRITETSLÄCKOR ELLER ANDRA SKADOR SOM ORSAKAS AV CYBERATTACKER, HACKERATTACKER, VIRUSANGREPP ELLER ANDRA SÄKERHETSRISKER MED INTERNET. HIKMICRO KOMMER DOCK ATT TILLHANDAHÅLLA LÄMPLIG TEKNISK SUPPORT OM SÅ KRÄVS.

DU ACCEPTERAR ATT ANVÄNDA PRODUKTEN I ENLIGHET MED ALLA TILLÄMPLIGA LAGAR OCH DU ÄR ENSAMT ANSVARIG FÖR ATT SÄKERSTÄLLA ATT DIN ANVÄNDNING EFTERLEVER TILLÄMPLIGA LAGAR. DU ÄR I SYNNERHET ANSVARIG FÖR ATT ANVÄNDA PRODUKTEN PÅ ETT SÅDANT SÄTT ATT DEN INTE INKRÄKTAR PÅ NÅGRA RÄTTIGHETER SOM ÄGS AV TREDJE PART, INKLUSIVE UTAN BEGRÄNSNING, RÄTTEN TILL PUBLICERING, IMMATERIELLA RÄTTIGHETER, SAMT DATASKYDD OCH ANDRA INTEGRITETSRÄTTIGHETER. Du får inte använda produkten för illegal jakt av djur, integritetskränkning eller andra ändamål som är olagliga eller skadliga för allmänna intressen. DU FÅR INTE ANVÄNDA PRODUKTEN FÖR NÅGRA FÖRBJUDNA SLUTANVÄNDNINGAR, INKLUSIVE UTVECKLING ELLER PRODUKTION AV MASSFÖRSTÖRELSEVAPEN, UTVECKLING ELLER PRODUKTION AV KEMISKA ELLER BIOLOGISKA STRIDSMEDEL, ELLER NÅGRA AKTIVITETER SOM ÄR RELATERADE TILL NUKLEÄRA SPRÄNGMEDEL ELLER OSÄKRA NUKLEÄRA BRÄNSLECYKLER, ELLER SOM STÖD FÖR ÖVERGREPP AV MÄNSKLIGA RÄTTIGHETER.

I DE FALL INNEHÅLLET I BRUKSANVISNINGEN STÅR I KONFLIKT MED TILLÄMPLIGA LAGAR, GÄLLER DE SISTNÄMNDNA.

Föreskrifter

Deklaration om EU-överensstämmelse



Den här produkten och, om tillämpligt, även de medföljande tillbehören är CE-märkta och överensstämmer därför med harmoniserade europeiska standarder i direktivet 2014/53/EG (RED), direktivet 2014/30/EG (EMC), direktivet 2014/35/EG (LVD) och direktivet 2011/65/EG (RoHS).



Direktiv 2012/19/EU (WEEE-direktivet): Produkter märkta med denna symbol får inte kastas som osorterat hushållsavfall inom EU. För lämplig återvinning ska produkten återlämnas till din lokala återförsäljare vid inköp av motsvarande ny utrustning eller lämnas in på en särskild återvinningsstation. Mer information finns på: www.recyclethis.info.



Direktiv 2006/66/EC och dess tillägg 2013/56/EU (batteridirektivet): Produkten innehåller ett batteri som inte får avfallshanteras som osorterat hushållsavfall inom EU. Se produktdokumentationen för specifik information om batteriet. Batteriet är märkt med denna symbol som kan innehålla bokstäver för att indikera kadmium (Cd), bly (Pb) eller kvicksilver (Hg). Batteriet ska återlämnas till din återförsäljare eller lämnas in på en särskild återvinningsstation, för korrekt återvinning. Mer information finns på: www.recyclethis.info.

Säkerhetsanvisningar

Anvisningarna är avsedda att säkerställa att användaren kan använda produkten på korrekt sätt för att undvika fara eller förlust av egendom.

Lagar och regler

- Användningen av produkten måste följa lokala elsäkerhetsbestämmelser.

Transport

- Förvara enheten i ursprungsförpackningen eller en liknande förpackning vid transport.
- Behåll allt emballagematerial efter att det packats upp för framtida användning. Vid eventuella fel måste du returnera enheten till fabriken med det ursprungliga emballagematerialet.
- Transport utan det ursprungliga emballagematerialet kan resultera i att enheten skadas och företaget påtar sig inget ansvar.
- Produkten får inte tappas eller utsättas för fysiska stötar. Håll enheten borta från magnetiska störningar.

Strömförsörjning

- Inhandla adaptern separat. Inspänningen måste uppfylla kraven för en begränsad strömkälla (5 VDC, 2 A) enligt standarden IEC61010-1. Se de tekniska specifikationerna för detaljerad information.
- Använd nätadaptern som tillhandahålls av den kvalificerade tillverkaren. Se produktspecifikationen för detaljerade effektbehov.
- Batteriladdaren ingår i paketet. Ingångsspänningen för den medföljande batteriladdaren ska överensstämja med en begränsad strömkälla (5 VDC, 2 A).
- Kontrollera att kontakten är ordentligt ansluten till eluttaget.
- Anslut inte flera enheter till en och samma strömadapter, för att undvika överhettning eller brandfara som orsakas av överbelastning.
- Strömkällan ska uppfylla kraven för en begränsad strömkälla eller PS2 i

enlighet med standarden IEC 60950-1 eller IEC 62368-1.

Batteri

- Felaktig användning eller ersättning av batteriet kan leda till explosionsfara. Ersätt alltid med ett likadant eller likvärdigt batteri.
- Använd ett batteriet från en godkänd tillverkare. Se produktspecifikationen för detaljerade krav på batteriet.
- Batteriet är av typ 18650 med skyddskrets och batteriets storlek ska vara 19 mm x 70 mm, med en märkspänning och kapacitet på 3,6 VDC/3,35 Ah (12,06 Wh). Kassera använda batterier i enlighet med de anvisningar som ges av batteritillverkaren.
- Se till att batteriets temperatur ligger på mellan 0 °C och 45 °C (32 °F till 113 °F) under laddning.
- Säkerställ vid långtidsförvaring av batteriet att det laddas upp helt en gång i halvåret så att batteriets kvalitet bevaras. Annars kan skador uppstå.
- Andra batterityper får INTE laddas med den medföljande laddaren. Kontrollera att det inte finns något brännbart material inom 2 m från laddaren medan laddningen pågår.
- Placera INTE batteriet i närheten av en värmekälla eller en öppen eld. Undvik direkt solljus.
- Batteriet får INTE placeras inom räckhåll för barn.
- Det går inte att ladda batteriet direkt med en extern strömkälla.
- Enheten går inte att ladda. Använd den medföljande laddaren för att ladda batteriet.

Underhåll

- Kontakta din återförsäljare eller närmaste servicecenter, om produkten inte fungerar som den ska. Vi åtar oss inget ansvar för problem som orsakats av obehörig reparation eller obehörigt underhåll.
- Torka försiktigt av enheten med en ren trasa och en liten mängd etanol, vid behov.
- Om utrustningen används på ett sätt som inte anges av tillverkaren kan det skydd som ges av enheten försämrats.

Användningsmiljö

- Se till att driftmiljön motsvarar enhetens krav. Drifttemperaturen ska vara -30 °C till 55 °C (-22 °F till 131 °F) och luftfuktigheten ska vara 5 till 95 %.
- Placera enheten i en torr och miljö med god ventilation.
- Enheten får inte utsättas kraftig elektromagnetisk strålning eller dammiga miljöer.
- Objektivet får inte riktas mot solen eller andra starka ljuskällor.

- Om någon laserutrustning används, måste du se till att enhetens objektiv inte exponeras för laserstrålen, då detta kan medföra att objektivet bränns sönder.

Nöd

- Om det kommer rök, lukt eller oljud från enheten, stäng omedelbart av strömmen, koppla från strömkabeln och kontakta servicecentret.

Laser



Om någon laserutrustning används, måste du se till att enhetens objektiv inte exponeras för laserstrålen, då detta kan medföra att objektivet bränns sönder. Den laserstrålning som skickas ut från enheten kan orsaka ögonskador, brännskador på huden och brand i lättantändliga ämnen. Se till att det inte finns några människor eller lättantändliga ämnen framför laserobjektivet innan du aktiverar tilläggsbelysningen. Enheten får inte placeras så att minderåriga kan få tag på den.

Tillverkarens adress

Rum 313, Enhet B, Byggnad 2, 399 Danfengvägen, Underdistriktet Xixing, Distriktet Binjiang, Hangzhou, Zhejiang 310052, Kina
Hangzhou Microimage Software Co., Ltd.

FÖRSÄKRAN OM ÖVERENSSTÄMMELSE: Produkter i den termiska serien kan vara föremål för exportkontroller i olika länder eller regioner, inklusive utan begränsning, USA, Europeiska unionen, Förenade kungariket och/eller andra länder som skrivit under Wassenaar-avtalet. Rådgör med en professionell juridisk konsult, en expert på regelefterlevnad eller lokala myndigheter avseende krav på exportlicenser om du har för avsikt att överföra, exportera eller vidareexportera produkter i den termiska serien mellan olika länder.

Русский

1. Краткое описание

Тепловизор оснащен высокочувствительным инфракрасным детектором и работает на базе усовершенствованной технологии построения тепловых изображений для получения четкого

изображения в условиях слабой видимости или в темноте. Он обеспечивает более эффективное наблюдение и оценку расстояния. Он обеспечивает более эффективное наблюдение и оценку расстояния. Устройство можно использовать в различных поисковых, спасательных целях, для охоты и др.

После подключения устройства к телефону через точку доступа вы сможете делать снимки, записывать видео и настраивать параметры с помощью приложения HIKMICRO Sight. Скачайте приложение HIKMICRO Sight в App Store (iOS) или Google Play™ (Android). Чтобы скачать и установить это приложение вы также можете просто отсканировать QR-код.



Система Android



Система iOS

Настоящее радиоустройство имеет следующие частотные диапазоны, режимы и номинальные пределы излучаемой мощности (электромагнитной и/или кондуктивной):

Wi-Fi 2.4 ГГц (от 2,4 ГГц до 2,4835 ГГц)	20 дБм
--	--------

2. Внешний вид

Существует два типа тепловизоров. Учитывайте особенности фактического устройства. Кнопки, компоненты и интерфейс тепловизоров двух типов одинаковы.

Компоненты и интерфейс (страница 1 – А)

№	Компонент	Функционирование
1	Кнопка питания	<ul style="list-style-type: none"> ● Нажатие: дежурный режим / режим запуска устройства ● Удерживание: вкл/выкл питания
2	Кнопка измерения	<ul style="list-style-type: none"> ● Нажатие: измерение расстояния с помощью лазерного излучения

		● Удержание: съемка
3	Колесико	● Нажатие: переключение палитр ● Удержание: работа с меню ● Поворот: включение цифрового зума
4	Крышка объектива	Для защиты объектива.
5	Кольцо фокусировки	Регулировка прицела.
6	Лазерный дальномер	Измерение расстояния с помощью лазерного излучения.
7	Батарейный отсек	Для установки батарей.
8	Фиксирующее кольцо	Для фиксации окуляра.
9	Окуляр	Просмотр цели.
10	Интерфейс обмена данными	Для подключение выходного кабеля.

Комбинация кнопок

№	Комбинация	Функционирование
2 + 3	Кнопка измерения + колесико	Нажмите одновременно для запуска или останова записи.
1 + 2 + 3	Кнопка питания + кнопка измерения + колесико	Нажимайте одновременно для входа в скрытое меню.

3. Установка батареи (страница 3 – В)

Порядок действий

1. Чтобы снять крышку батарейного отсека, поверните ее против часовой стрелки.
2. Вставьте батарею в батарейный отсек положительным полюсом внутрь.

3. Поверните крышку батарейного отсека по часовой стрелке, чтобы зафиксировать ее.

Примечание. Если устройство не будет использоваться в течение долгого времени, выньте из него батареи.

4. Установка рейки (страница 4 – С)

Порядок действий

1. Установите устройство на рейку, как показано черной стрелкой.
2. Установите и затяните винты.
3. Зафиксируйте устройство, затянув рычаги.

Примечание.

- Сначала выключите устройство.
- Для очистки основания и направляющей устройства пользуйтесь тканью, не оставляющей пыли.

5. Присоединение устройства (страница 5 – Е)

Порядок действий

1. Включите устройство и убедитесь, что функция точки доступа отключена.
2. Поднимите крышку интерфейса обмена данными.
3. Подключите устройство к адаптеру питания с помощью кабеля Туре-С для подачи питания. Либо подключите устройство к ПК для экспорта файлов.

Руководство пользователя



Нормативно-правовая информация

©2022, Hangzhou Microimage Software Co., Ltd. Все права защищены.


О данном Руководстве

В Руководстве содержатся инструкции по эксплуатации Изделия. Фотографии, схемы, иллюстрации и прочие материалы приведены исключительно в качестве описаний и пояснений. Информация, приведенная в Руководстве, может быть изменена без

предварительного уведомления в связи с обновлением микропрограммы или по другим причинам. Последнюю редакцию настоящего Руководства можно найти на веб-сайте компании HIKMICRO (www.hikmicrotech.com/).

Используйте Руководство под наблюдением специалистов, обученных обслуживанию Изделия.

Признание товарных знаков

 HIKMICRO и все другие торговые марки и логотипы HIKMICRO являются собственностью компании HIKMICRO в различных юрисдикциях.

Другие товарные знаки и логотипы, упоминаемые в Руководстве, являются собственностью соответствующих владельцев.

ЗАЯВЛЕНИЕ ОБ ОГРАНИЧЕНИИ ОТВЕТСТВЕННОСТИ

В МАКСИМАЛЬНОЙ СТЕПЕНИ, РАЗРЕШЕННОЙ ДЕЙСТВУЮЩИМ ЗАКОНОДАТЕЛЬСТВОМ, ДАННОЕ РУКОВОДСТВО И ОПИСАНИЕ ИЗДЕЛИЯ ВМЕСТЕ С АППАРАТНОЙ ЧАСТЬЮ, ПРОГРАММНЫМ ОБЕСПЕЧЕНИЕМ И ВСТРОЕННОЙ МИКРОПРОГРАММОЙ ПРЕДОСТАВЛЯЕТСЯ ПО ПРИНЦИПУ «КАК ЕСТЬ» И «СО ВСЕМИ НЕПОЛАДКАМИ И ОШИБКАМИ». HIKMICRO НЕ ДАЕТ НИКАКИХ ЯВНЫХ ИЛИ ПОДРАЗУМЕВАЕМЫХ ГАРАНТИЙ, В ТОМ ЧИСЛЕ ГАРАНТИЙ ТОВАРНОЙ ПРИГОДНОСТИ, УДОВЛЕТВОРИТЕЛЬНОГО КАЧЕСТВА ИЛИ ПРИГОДНОСТИ ДЛЯ КОНКРЕТНЫХ ЦЕЛЕЙ. ПОТРЕБИТЕЛЬ ИСПОЛЬЗУЕТ ИЗДЕЛИЕ НА СВОЙ СТРАХ И РИСК. НИ ПРИ КАКИХ ОБСТОЯТЕЛЬСТВАХ КОМПАНИЯ HIKMICRO НЕ НЕСЕТ ОТВЕТСТВЕННОСТИ ПЕРЕД ПОТРЕБИТЕЛЕМ ЗА КАКОЙ-ЛИБО СЛУЧАЙНЫЙ ИЛИ КОСВЕННЫЙ УЩЕРБ, ВКЛЮЧАЯ, СРЕДИ ПРОЧЕГО, УБЫТКИ ИЗ-ЗА ПОТЕРИ ПРИБЫЛИ, ПЕРЕРЫВОВ В ДЕЯТЕЛЬНОСТИ, ПОТЕРИ ДАННЫХ ИЛИ ДОКУМЕНТАЦИИ, ПОВРЕЖДЕНИЯ СИСТЕМ, БУДЬ ТО ПО ПРИЧИНЕ НАРУШЕНИЯ ДОГОВОРА, ПРОТИВОПРАВНЫХ ДЕЙСТВИЙ (В ТОМ ЧИСЛЕ ХАЛАТНОСТИ), УЩЕРБА ВСЛЕДСТВИЕ ИСПОЛЬЗОВАНИЯ ИЗДЕЛИЯ ИЛИ ИНОГО В СВЯЗИ С ИСПОЛЬЗОВАНИЕМ ДАННОГО ИЗДЕЛИЯ, ДАЖЕ ЕСЛИ КОМПАНИИ HIKMICRO БЫЛО ИЗВЕСТНО О ВОЗМОЖНОСТИ ТАКОГО УЩЕРБА.

ПОТРЕБИТЕЛЬ ОСОЗНАЕТ, ЧТО ИНТЕРНЕТ ПО СВОЕЙ ПРИРОДЕ ЯВЛЯЕТСЯ ИСТОЧНИКОМ ПОВЫШЕННОГО РИСКА БЕЗОПАСНОСТИ И КОМПАНИЯ HIKMICRO НЕ НЕСЕТ ОТВЕТСТВЕННОСТИ ЗА СБОИ В РАБОТЕ ОБОРУДОВАНИЯ, УТЕЧКУ ИНФОРМАЦИИ И ДРУГОЙ УЩЕРБ, ВЫЗВАННЫЙ КИБЕРАТАКАМИ, ХАКЕРАМИ, ВИРУСАМИ ИЛИ СЕТЕВЫМИ УГРОЗАМИ; ОДНАКО НАША КОМПАНИЯ ОБЕСПЕЧИВАЕТ СВОЕВРЕМЕННУЮ ТЕХНИЧЕСКУЮ ПОДДЕРЖКУ, ЕСЛИ ЭТО НЕОБХОДИМО.

ПОТРЕБИТЕЛЬ СОГЛАШАЕТСЯ ИСПОЛЬЗОВАТЬ ДАННОЕ ИЗДЕЛИЕ В СООТВЕТСТВИИ СО ВСЕМИ ПРИМЕНИМЫМИ ЗАКОНАМИ И НЕСЕТ

ЛИЧНУЮ ОТВЕТСТВЕННОСТЬ ЗА ИХ СОБЛЮДЕНИЕ. В ЧАСТНОСТИ, ПОТРЕБИТЕЛЬ НЕСЕТ ОТВЕТСТВЕННОСТЬ ЗА ИСПОЛЬЗОВАНИЕ ДАННОГО ИЗДЕЛИЯ БЕЗ НАРУШЕНИЯ ПРАВ ТРЕТЬИХ ЛИЦ, В ТОМ ЧИСЛЕ ПРАВ ПУБЛИЧНОСТИ, ИНТЕЛЛЕКТУАЛЬНОЙ СОБСТВЕННОСТИ И ЗАЩИТЫ ДАННЫХ. Вы не будете использовать данный продукт в целях браконьерства, вторжения в частную жизнь или любых других целей, которые являются незаконными или противоречат общественным интересам. ПОТРЕБИТЕЛЬ ОБЯЗУЕТСЯ НЕ ИСПОЛЬЗОВАТЬ ЭТО ИЗДЕЛИЕ В ЗАПРЕЩЕННЫХ ЦЕЛЯХ, В ТОМ ЧИСЛЕ ДЛЯ РАЗРАБОТКИ ИЛИ ПРОИЗВОДСТВА ОРУЖИЯ МАССОВОГО УНИЧТОЖЕНИЯ, ХИМИЧЕСКОГО ИЛИ БИОЛОГИЧЕСКОГО ОРУЖИЯ, ОСУЩЕСТВЛЕНИЯ КАКОЙ-ЛИБО ДЕЯТЕЛЬНОСТИ В КОНТЕКСТЕ ЯДЕРНОГО ОРУЖИЯ, НЕБЕЗОПАСНЫХ ОПЕРАЦИЙ С ЯДЕРНЫМ ТОПЛИВОМ ИЛИ ДЛЯ ПОДДЕРЖКИ НАРУШЕНИЙ ПРАВ ЧЕЛОВЕКА. В СЛУЧАЕ РАЗНОЧТЕНИЙ МЕЖДУ НАСТОЯЩИМ РУКОВОДСТВОМ И ДЕЙСТВУЮЩИМ ЗАКОНОДАТЕЛЬСТВОМ, ПОСЛЕДНЕЕ ИМЕЕТ ПРИОРИТЕТ.

Нормативно-правовая информация

Соответствие стандартам ЕС



Настоящее изделие и, если применимо, его штатные принадлежности имеют маркировку «CE», которая подтверждает его соответствие применимым согласованным европейским стандартам, указанным в Директиве по радиооборудованию 2014/53/ЕС, Директиве по электромагнитной совместимости 2014/30/ЕС, Директиве по низковольтному оборудованию 2014/35/ЕС и Директиве по ограничению использования опасных веществ 2011/65/ЕС.



Директива WEEE 2012/19/EU (по утилизации отходов электрического и электронного оборудования): продукты, отмеченные этим символом, запрещено утилизировать в Европейском союзе в качестве несортированных муниципальных отходов. Для надлежащей переработки возвратите этот продукт местному поставщику после покупки эквивалентного нового оборудования или утилизируйте его в предназначенных для этого пунктах сбора отходов. Для получения дополнительной информации посетите веб-сайт www.recyclethis.info



Директива 2006/66/EU и поправка к ней 2013/56/EU (сведения о батарее): этот продукт содержит батарею, которую запрещено утилизировать в Европейском союзе в качестве несортированных муниципальных отходов. Для получения точной информации о батарее см. документацию к продукту. Маркировка батареи может включать символы, которые определяют ее химический состав: кадмий (Cd), свинец (Pb) или ртуть (Hg). Для надлежащей утилизации отправьте батарею местному поставщику или утилизируйте ее в специальных пунктах приема отходов. Для получения дополнительной информации посетите веб-сайт www.recyclethis.info.

Инструкция по технике безопасности

Настоящие инструкции предназначены для того, чтобы пользователь мог правильно использовать устройство, чтобы избежать опасности или потери имущества.

Законодательные акты и нормативные документы

- Эксплуатация данного изделия должна выполняться в строгом соответствии с местными правилами безопасной эксплуатации электрооборудования.

Транспортировка

- Используйте оригинальную или схожую упаковку для транспортировки устройства.
- После распаковки сохраните упаковочные материалы для дальнейшего использования. В случае неисправности вам потребуется вернуть устройство на завод в оригинальной упаковке.
- Транспортировка без оригинальной упаковки может привести к повреждению устройства, и компания не будет нести за это ответственности.
- Не роняйте и не ударяйте устройство. Устройство необходимо размещать вдали от источников электромагнитных помех.

Электропитание

- Адаптер необходимо приобрести самостоятельно. Входное напряжение должно соответствовать ограниченному источнику питания (5 В пост. тока, 2 А) в соответствии со стандартом IEC61010-1. Подробная информация приведена в таблице технических данных.
- Используйте адаптер питания, предоставленный сертифицированным изготовителем. Требования по

электропитанию подробно описаны в технических характеристиках изделия.

- Зарядное устройство входит в комплект поставки. Входное напряжение поставляемого зарядного устройства соответствует требованиям к источникам питания ограниченной мощности (5 В пост. тока, 2 А).
- Убедитесь, что вилка правильно подключена к розетке электропитания.
- Во избежание перегрева или возгорания из-за перегрузки **ЗАПРЕЩАЕТСЯ** подключать несколько устройств к одному адаптеру питания.
- источник питания должен соответствовать требованиям к ограниченному напряжению питания или требованиям PS2 согласно стандарту IEC 60950-1 или IEC 62368-1.

Батарея

- Использование или замена батареи с нарушением инструкций может привести к взрыву. Для замены используйте только такие же или аналогичные батареи.
- Используйте батарею, поставляемую сертифицированным изготовителем. Требования к батарее подробно описаны в технических характеристиках изделия.
- Тип батареи с защитной платой: 18650. Размеры батареи: 19 × 70 мм. Номинальное напряжение/емкость: 3,6 В пост. тока/3,35 А·ч (12,06 Вт·ч). Утилизируйте использованные батареи согласно инструкциям, предоставленным производителем батарей.
- При зарядке температура батареи должна находиться в диапазоне от 0°C до 45°C.
- При длительном хранении батареи полностью заряжайте ее каждые полгода, чтобы обеспечить ее работоспособность. В противном случае батарея может выйти из строя.
- Не используйте поставляемое в комплекте зарядное устройство для зарядки батарей другого типа. Убедитесь, что во время зарядки в радиусе 2 метров вокруг зарядного устройства нет легковоспламеняющихся материалов.
- Не размещайте батарею рядом с источниками тепла или огня. Не допускайте воздействия прямого солнечного света.
- Не размещайте батарею в местах, где ее могут взять дети.
- Батарею нельзя заряжать напрямую от внешнего источника питания.
- Устройство не подлежит зарядке. Для зарядки батареи используйте имеющееся в комплекте зарядное устройство.

Техническое обслуживание

- Если изделие не работает должным образом, обратитесь к дилеру или к специалистам ближайшего сервисного центра. Компания-изготовитель не несет ответственности за неисправности, возникшие в результате несанкционированного ремонта или технического обслуживания.
- При необходимости осторожно протрите устройство чистой салфеткой, смоченной небольшим количеством этилового спирта.
- Если оборудование используется способом, не указанным производителем, обеспечиваемая устройством безопасность может быть нарушена.

Требования к рабочей среде

- Убедитесь, что рабочая среда удовлетворяет требованиям надлежащей работы устройства. Рабочая температура должна находиться в диапазоне от $-30\text{ }^{\circ}\text{C}$ до $55\text{ }^{\circ}\text{C}$, а влажность должна составлять от 5% до 95%.
- Размещайте устройство в сухой и хорошо проветриваемой среде.
- ЗАПРЕЩАЕТСЯ устанавливать устройство в условиях воздействия сильного электромагнитного излучения или в пыльной среде.
- Не направляйте объектив устройства на солнце или другие яркие источники света.
- При использовании любого лазерного оборудования убедитесь, что в объектив устройства не попадает лазерный луч, иначе он может выгореть.

Кнопка подачи экстренного сигнала тревоги

- Если устройство испускает дым, неприятный запах или шум, незамедлительно отключите электропитание, извлеките шнур питания и обратитесь в сервисный центр.

Лазер



При использовании любого лазерного оборудования убедитесь, что в объектив устройства не попадает лазерный луч, иначе он может выгореть. Лазерное излучение, испускаемое устройством, может вызвать травмы глаза, ожоги кожи или воспламенение веществ. Перед включением функции дополнительной подсветки убедитесь, что перед лазерным объективом не находятся люди или легковоспламеняющиеся вещества. Не устанавливайте устройство в местах, где его могут достать дети.

Адрес производителя

Комната 313, помещение В, корпус 2, 399 Danfeng Road, район Xixing, округ Binjiang, Hangzhou, Zhejiang 310052, Китай
Компания Hangzhou Microimage Software Co., Ltd.

УВЕДОМЛЕНИЕ О СООТВЕТСТВИИ: В различных странах и регионах, включая США, ЕС, Великобританию и/или другие страны, подписавшие Вассенарские соглашения, на тепловизионные устройства могут распространяться правила экспортного контроля. При необходимости транспортировки между странами, экспорта или реэкспорта тепловизионных устройств обратитесь к юристу, специалисту по соблюдению нормативно-правового соответствия или местным органам власти для получения информации о разрешении на экспорт.

Türkçe

1. Kısa Açıklama

Termal görüntü objektifi, yüksek hassasiyete sahip kızılötesi dedektöre sahiptir ve görüşün yetersiz olduğu veya karanlık ortamlarda net bir görüntü elde etmek için gelişmiş termal görüntüleme teknolojisinden yararlanır. Bu teknoloji, hedefin görüntülenmesine ve mesafenin ölçülmesine yardımcı olur. Bu teknoloji, hedefin görüntülenmesine ve mesafenin ölçülmesine yardımcı olur. Cihaz, arama ve kurtarma ve avlanma gibi amaçlar için yaygın olarak kullanılabilir.

Cihaz, etkin nokta aracılığıyla telefonunuza bağlandıktan sonra HIKMICRO Sight Uygulaması ile anlık görüntü çekebilir, video kaydedebilir ve parametre ayarlayabilir. App Store'da (iOS Sistemi) veya Google Play™'de (Android Sistemi) HIKMICRO Sight'ı arayın veya uygulamayı indirip yüklemek için QR kodunu tarayın.



Android Sistemi



iOS Sistemi

Frekans bantları ve modları ve bu telsiz cihazı için geçerli (yayılm ve/veya iletim yoluyla) iletilen gücünün nominal limitleri şöyledir:

Wi-Fi 2.4 GHz (2.4 GHz ile 2.4835 GHz)	20 dBm
--	--------

2. Görünüm

İki tür termal görüntü objektifi vardır. Lütfen gerçek ürünü referans alın. İki tür görüntü objektifinin düğmeleri, bileşenleri ve arabirimleri aynıdır.

Bileşen ve Arayüz (Sayfa 1 – A)

No.	Bileşen	Fonksiyon
1	Güç Tuşu	<ul style="list-style-type: none">● Bas: bekleme modu/cihazı uyandırma● Basılı Tut: gücü aç/kapat
2	Ölçüm Tuşu	<ul style="list-style-type: none">● Bas: lazerle mesafeyi ölçme● Basılı Tut: görüntü çekme
3	Tekerlek	<ul style="list-style-type: none">● Bas: paletleri değiştirme● Basılı tut: menü işlemi● Döndür: dijital yakınlaştırmayı değiştir
4	Lens Kılıfı	Lensi koruyun.
5	Odak Halkası	Görüş açısını ayarlayın.
6	Lazer Menzil Bulucu	Lazerle mesafeyi ölçer.
7	Pil Bölmesi	İçine pili takın.
8	Sabitleme Halkası	Göz merceğini sabitleyin.
9	Göz merceği	Hedefi görüntüleyin.
10	Veri Değiştirme Arayüzü	Çıkış kablosuyla bağlayın.

Düğme Kombinasyonu

No.	Kombinasyon	Fonksiyon
2 + 3	Ölçüm Tuşu + Tekerlek	Kaydı başlatmak veya durdurmak için aynı anda basın.

1 + 2 + 3	Güç Tuşu+ Ölçüm Tuşu + Tekerlek	Gizli menüye girmek için aynı anda basın.
-----------	---------------------------------	---

3. Pilin Takılması (Sayfa 3 – B)

Adımlar

1. Pil yuvası kapağını gevşetmek için saat yönünün tersi yönde çevirin.
2. Pili, artı işareti içe bakacak şekilde pil bölmesine yerleştirin.
3. Pil yuvası kapağını sıkıştırmak için saat yönünde çevirin.

Not: Cihazı uzun süre kullanmayacaksanız pili çıkarın.

4. Rayın Takılması (Sayfa 4 – C)

Adımlar

1. Cihazı, siyah okla gösterilen yönde raya takın.
2. Takarak vidaları sıkın.
3. Cihazı sabitlemek için kolları sıkın.

Not:

- Önce cihazı kapatın.
- Cihaz tabanını ve rayı temizlemek için toz tutmayan bez kullanın.

5. Cihazın Bağlanması (Sayfa 5 – E)

Adımlar

1. Cihazı açın ve etkin nokta işlevinin devre dışı olduğundan emin olun.
2. Veri değiştirme arabiriminin kapağını kaldırın.
3. Cihazı açmak için cihazı ve güç adaptörünü Tip-C kablosuyla bağlayın. Alternatif olarak, dosyaları dışa aktarmak için cihazı ve bilgisayarı bağlayın.

Kullanım Kılavuzu



Yasal Bilgiler


©2022 Hangzhou Microimage Software Co., Ltd. Tüm hakları saklıdır.
Bu Kılavuz hakkında
Kılavuz, Ürünün kullanımı ve yönetimi ile ilgili talimatları içerir. Resimler,

çizelgeler, görüntüler ve buradaki diğer tüm bilgiler, yalnızca tanımlama ve açıklama amaçlıdır. Kılavuzda bulunan bilgiler, yazılım güncellemeleri veya başka nedenlerden dolayı önceden haber verilmeksizin değiştirilebilir.

Lütfen bu Kılavuzun en son sürümü için HIKMICRO web sitesine (www.hikmicrotech.com/) bakın.

Lütfen bu Kılavuzu, Ürünü destekleme konusunda eğitilmiş profesyonellerin rehberliği ve yardımı ile kullanın.

Ticari Markalar Onayı

 **HIKMICRO** ve diğer HIKMICRO ticari markaları ve logoları, çeşitli yargı alanlarında HIKMICRO'nun özellikleridir.

Bahsedilen diğer ticari markalar ve logolar ilgili sahiplerinin mülkiyetindedir.

YASAL UYARI

YÜRÜRLÜKTEKİ YASALARIN İZİN VERDİĞİ AZAMI ÖLÇÜDE, BU KILAVUZ VE AÇIKLANAN ÜRÜN, DONANIMI, YAZILIMI VE ÜRÜN YAZILIMI İLE "OLDUĞU GİBİ" VE "TÜM ARIZALAR VE HATALAR İLE " SAĞLANIR. HIKMICRO, SINIRLAMA, SATILABİLİRLİK, KALİTE MEMNUNİYETİ VEYA BELİRLİ BİR AMACA UYGUNLUK DAHİL, AÇIK VEYA ZİMNİ HİÇBİR GARANTİ VERMEZ. ÜRÜNÜN SİZİN TARAFINIZDAN KULLANIMI KENDİ SORUMLULUĞUNUZDADIR. HIKMICRO HİÇBİR DURUMDA, BU ÜRÜNÜN KULLANIMI İLE BAĞLANTILI OLARAK, HIKMICRO BU TÜR HASARLARIN OLASILIĞI HAKKINDA BİLGİLENDİRİLMİŞ OLSA BİLE, İŞ KARLARININ KAYBI, İŞ KESİNTİSİ, VERİ KAYBI, SİSTEM KESİNTİSİ, BELGE KAYBI, SÖZLEŞMENİN İHLALİ (İHMAL DAHİL), ÜRÜN SORUMLULUĞU GİBİ ZARARLAR DA DAHİL OLMAK ÜZERE, ÖZEL, SONUÇSAL, TESADÜFİ VEYA DOLAYLI ZARARLAR İÇİN SİZE KARŞI SORUMLU OLMAYACAKTIR.

HIKMICRO'NUN, İNTERNETİNİN DOĞAL GÜVENLİK RİSKLERİNİN GETİRDİĞİ SİBER SALDIRI, HACKER SALDIRISI, HACKER SALDIRISI, VİRÜS BULAŞMASINDAN KAYNAKLANAN ANORMAL ÇALIŞMA, GİZLİLİK SIZINTISI VEYA DİĞER ZARARLARDAN HERHANGİ BİR SORUMLULUK ALMAYACAĞINI KABUL EDİYORSUNUZ; ANCAK HIKMICRO, GEREKİRSE ZAMANINDA TEKNİK DESTEK SAĞLAYACAKTIR.

BU ÜRÜNÜ GEÇERLİ TÜM YASALARA UYGUN OLARAK KULLANMAYI KABUL EDİYORSUNUZ VE KULLANIMINIZIN GEÇERLİ YASALARA UYGUN OLMASINI SAĞLAMAKTAN YALNIZCA SİZ SORUMLUSUNUZ. ÖZELLİKLE, BU ÜRÜNÜ, SINIRLAMA OLMAKSIZIN, TANITIM HAKLARI, FİKRİ MÜLKİYET HAKLARI VEYA VERİ KORUMA VE DİĞER GİZLİLİK HAKLARI DA DAHİL OLMAK ÜZERE ÜÇÜNCÜ TARAFLARIN HAKLARINI İHLAL ETMEYECEK ŞEKİLDE KULLANMAKTAN SİZ SORUMLUSUNUZ. Bu ürünü hayvanları yasalara aykırı şekilde avlamak, mahremiyeti ihlal etmek ya da yasa dışı veya kamu menfaatlerine aykırı olan bir amaç için kullanamazsınız. BU ÜRÜNÜ, KİTLE İMHA SİLAHLARININ GELİŞTİRİLMESİ VEYA ÜRETİMİ, KİMYASAL VEYA BİYOLOJİK SİLAHLARIN GELİŞTİRİLMESİ VEYA ÜRETİMİ, HERHANGİ BİR

NÜKLEER PATLAYICI VEYA GÜVENLİ OLMAYAN NÜKLEER YAKIT DÖNGÜSÜ İLE İLGİLİ HERHANGİ BİR FAALİYETTE VEYA İNSAN HAKLARI İHLALLERİNİ DESTEKLEMENİN DE DAHİL YASAKLANMIŞ SON KULLANIMLAR İÇİN KULLANILMAZSINIZ.

BU KILAVUZ İLE İLGİLİ YASA ARASINDA HERHANGİ BİR ÇELİŞKİ OLMASI DURUMUNDA, İKİNCİSİ GEÇERLİDİR.

Mevzuat Bilgisi

AB Uygunluk Beyanı



Bu ürün ve varsa sağlanan aksesuarlar da "CE" işaretine sahiptir. Dolayısıyla bunlar, Direktif 2014/53/EU (RED), 2014/30/EU (EMCD), Direktif 2014/35/EU (LVD) ve Direktif 2011/65/Eu'da (RoHS) listelenen geçerli, uyumlu hale getirilmiş Avrupa standartlarına uygundur.



2012/19/EU Direktifi (WEEE Direktifi): Bu simgeyle işaretlenen ürünler, Avrupa Birliği'nde ayrıştırılmamış belediye atığı olarak yok edilemez. Doğru geri dönüşüm için, eşdeğer yeni ekipman satın aldıktan sonra bu ürünü yerel tedarikçinize iade edin veya belirtilen toplama noktalarında imha edin. Daha fazla bilgi için bkz: www.recyclethis.info.



2006/66/EC Direktifi ve değişiklik 2013/56/EU (Batarya Direktifi): Bu ürün, Avrupa Birliği'nde ayrıştırılmamış belediye atığı olarak imha edilemeyen bir pil içerir. Özel pil bilgileri için ürün belgelerine bakın. Pil, kadmiyum (Cd), kurşun (Pb) veya cıva (Hg) içerebildiğini belirtmek bu simgeyle işaretlenmiştir. Doğru geri dönüşüm için pili tedarikçinize veya belirlenmiş bir toplama noktasına iade edin. Daha fazla bilgi için bkz: www.recyclethis.info.

Güvenlik Talimatı

Bu talimatlar ile tehlikeleri veya mal kayıplarını önlemek için kullanıcının ürünü doğru şekilde kullanabilmesinin sağlanması amaçlanmıştır.

Yasalar ve Yönetmelikler

- Ürünün yerel elektrik güvenliği düzenlemelerine kesinlikle uygun şekilde kullanılması gerekmektedir.

Ulaşım

- Cihazı taşıırken orijinal ambalajının veya benzer bir ambalajın içerisine koyun.
- Ambalajından çıkardıktan sonra tüm ambalajları ileride kullanmak üzere saklayın. Herhangi bir arıza meydana gelmesi halinde cihazı orijinal

sargısıyla birlikte fabrikaya iade etmeniz gerekir.

- Orijinal ambalajı olmadan taşımak cihaza zarar verebilir bu durumda şirket hiçbir sorumluluk kabul etmeyecektir.
- Ürünü düşürmeyin veya fiziksel darbeye maruz bırakmayın. Cihazı manyetik parazitten uzak tutun.

Güç Kaynağı

- Lütfen adaptörü ayrıca satın alın. Giriş voltajı, IEC61010-1 standardına göre Sınırlı Güç Kaynağını (5 VDC, 2A) karşılamalıdır. Ayrıntılı bilgi için lütfen teknik özelliklere bakın.
- Yetkili üretici tarafından sağlanan güç adaptörünü kullanın. Ayrıntılı güç gereksinimleri için ürün özelliklerine bakın.
- Pil şarj cihazı, paket içeriğine dahildir. Verilen pil şarj cihazının giriş voltajı Sınırlı Güç Kaynağını (5 VDC, 2 A) karşılamalıdır.
- Fişin elektrik prizine düzgün şekilde takıldığından emin olun.
- Aşırı yükten kaynaklı aşırı ısınmayı veya yangın tehlikelerini önlemek için bir güç kaynağına birden fazla cihaz TAKMAYIN.
- Güç kaynağı, IEC 60950-1 veya IEC 62368-1 standardına göre sınırlı güç kaynağı veya PS2 gereksinimlerini karşılamalıdır.

Pil

- Pilin yanlış kullanımı veya değiştirilmesi patlama tehlikesine neden olabilir. Yalnızca aynı veya eşdeğer tipte batarya ile değiştirin.
- Yetkili üretici tarafından sağlanan pili kullanın. Ayrıntılı pil gereksinimleri için ürün özelliklerine bakın.
- Pil türü, koruma levhası ile birlikte 18650'dir ve pil boyutu 19 mm x 70 mm içinde olmalıdır. Nominal voltaj ve kapasite 3,6 VDC/3,35 Ah (12,06 Wh)'dir. Kullanılmış pilleri, pil üreticisi tarafından sağlanan talimatlara uygun olarak imha edin.
- Şarj ederken pil sıcaklığının 0°C ila 45°C (32°F ila 113°F) arasında olduğundan emin olun.
- Pil uzun süre kullanılmadan saklanacaksa pilin kalitesinin devam ettirilmesi için her altı ayda bir tam olarak şarj edilmesini sağlayın. Aksi takdirde hasar meydana gelebilir.
- Verilen şarj cihazıyla diğer pil türlerini şarj etmeyin. Şarj sırasında şarj cihazının 2 m yakınında yanıcı malzeme bulunmadığını doğrulayın.
- Pili ısıtma veya ateş kaynağının yakınına YERLEŞTİRMEYİN. Doğrudan güneş ışığından kaçının.
- Pili çocukların ulaşabileceği bir yere YERLEŞTİRMEYİN.
- Pil doğrudan harici güç kaynağı ile şarj edilemez.
- Cihaz şarj edilemez. Pili şarj etmek için lütfen birlikte verilen şarj cihazını kullanın.

Bakım

- Ürün düzgün şekilde çalışmıyorsa lütfen bayiinizle veya en yakın servis merkeziyle iletişime geçin. Yetkisiz onarım veya bakımdan kaynaklanan sorunlar için herhangi bir sorumluluk kabul etmeyiz.
- Cihazı temiz bir bez ve gerekirse az miktarda etanol ile hafifçe silin.
- Ekipman, üretici tarafından belirtilmeyen bir şekilde kullanılırsa cihaz tarafından sağlanan koruma bozulabilir.

Kullanma Ortamı

- Çalışma ortamının cihazın gereksinimlerini karşıladığından emin olun. Çalışma sıcaklığı -30°C ile 55°C (-22°F ile 131°F) arasında ve nem oranı %5 ile %95 arasında olmalıdır.
- Cihazı, kuru ve iyi havalandırılan bir ortama yerleştirin.
- Cihazı yüksek elektromanyetik radyasyona sahip veya tozlu ortamlarda BULUNDURMAYIN.
- Lensi, güneşe veya herhangi bir parlak ışığa doğru tutmayın.
- Herhangi bir lazer ekipmanı kullanılırken cihaz merceğinin, lazer ışınına maruz kalmadığından emin olun aksi takdirde yanabilir.

Acil Durum

- Cihazdan duman, koku veya ses geliyorsa hemen gücü kapatarak güç kablosunun bağlantısını kesin ve servis merkeziyle iletişime geçin.

Lazer



Herhangi bir lazer ekipmanı kullanılırken cihaz merceğinin, lazer ışınına maruz kalmadığından emin olun aksi takdirde yanabilir. Cihazdan yayılan lazer radyasyonu göz yaralanmalarına, cildin yanmasına veya yanıcı maddelerin tutuşmasına yol açabilir. Işık Desteği işlevini etkinleştirmeden önce, lazer lensinin önünde hiçbir insanın veya yanıcı maddenin bulunmadığından emin olun. Cihazı küçüklerin alabileceği bir yere yerleştirmeyin.

Üretim Adresi

Oda 313, Birim B, Bina 2, 399 Danfeng Caddesi, Xixing Nahiyesi, Binjiang Bölgesi, Hangzhou, Zhejiang 310052, Çin
Hangzhou Microimage Software Co., Ltd.

UYGUNLUK BİLDİRİMİ: Termal serisi ürünler, sınırlama olmaksızın Amerika Birleşik Devletleri, Avrupa Birliği, Birleşik Krallık ve / veya Wassenaar Düzenlemesinin diğer üye ülkeleri dahil olmak üzere çeşitli ülke veya bölgelerde ihracat kontrollerine tabi olabilir. Termal serisi ürünleri farklı

ülkeler arasında transfer etmeyi, ihraç etmeyi veya yeniden ihraç etmeyi düşünüyorsanız, lütfen gerekli ihracat lisansı gereklilikleri için profesyonel hukuk veya uyum uzmanınıza veya yerel hükümet yetkililerine danışın.

日本語

1.簡単な説明

サーマルイメージスコープは、高感度IR検出器を搭載し、高度な熱映像技術を活用して、視界の悪い場所や暗い環境でも鮮明な視界を確保します。対象を視認し、その距離を測定するのに役立ちます。対象を視認し、その距離を測定するのに役立ちます。このデバイスは、捜索・救助、狩猟など幅広くご使用いただけます。

本デバイスは、ホットスポットを介してスマートフォンに接続することで、HIKMICRO Sightアプリ上でスナップショットをキャプチャーしたり、ビデオを録画したり、パラメーターの設定を行うことができます。App Store (iOSシステム) またはGoogle Play™ (Androidシステム) で「HIKMICRO Sight」を検索するか、QRコードを読み取ってアプリをダウンロードしてインストールしてください。



Androidシステム



iOSシステム

この無線デバイスに適用される周波数帯域、モードおよび送信電力（放射および/または伝導）の公称制限は次の通りです。

Wi-Fi 2.4 GHz (2.4 GHz～2.4835 GHz)	20 dBm
------------------------------------	--------

2.外観

サーマルイメージスコープには2つのタイプがあります。実際の製品を手にとって参照してください。2つのタイプのサーマルイメージスコープのボタン、部品、インターフェイスはどちらも同じです。

部品とインターフェイス (1ページ -A)

番号	コンポーネント	機能
1	電源キー	<ul style="list-style-type: none"> ● 押す :スタンバイモード/デバイスの復帰 ● 長押し : オン/オフ
2	メジャーキー	<ul style="list-style-type: none"> ● 押す : レーザーで距離を測定します ● 長押し : キャプチャーします
3	ホイール	<ul style="list-style-type: none"> ● 押す : パレット切り替え ● 長押し : メニュー操作 ● 回す : デジタルズーム切り替え
4	レンズカバー	レンズを保護します。
5	フォーカスリング	視野を調整します。
6	レーザー距離計	レーザーで距離を測定します。
7	バッテリー収納部	バッテリーを内部に取り付けます。
8	固定リング	アイピースを固定します。
9	アイピース	ターゲットを表示します。
10	データ交換インターフェイス	出力ケーブルと接続します。

ボタンのコンビネーション

番号	コンビネーション	機能
2 + 3	メジャーキー + ホイール	同時に押すと、録画が起動または停止します。
1 + 2 + 3	電源キー + メジャーキー + ホイール	同時に押すと、非表示メニューに移動します。

3.バッテリーの取り付け (3ページ - B)

ステップ

- 1.バッテリーカバーを反時計に回して緩めます。
- 2.プラス極を内側に向け、バッテリー収納部にバッテリーを挿入します。
- 3.バッテリーカバーを時計回りに回して締め付けます。

注： デバイスを長期間使用しない場合は、バッテリーを取り外してください。

4.レールの取り付け (4ページ - C)

ステップ

- 1.黒い矢印にしたがって、デバイスをレールに取り付けます。
- 2.ネジを挿入して締め付けます。
- 3.レバーを締めてデバイスを固定します。

注：

- まずデバイスの電源をオフにしてください。
- 毛羽立ちしない種類の布を使用して、デバイスのベースとレールを清掃します。

5.デバイスの接続 (5ページ - E)

ステップ

- 1.デバイスの電源を入れ、ホットスポット機能が無効になっていることを確認します。
- 2.データ交換インターフェイスのカバーを持ち上げます。
- 3.タイプCケーブルでデバイスと電源アダプターを接続し、デバイスの電源を入れます。もしくは、デバイスとパソコンを接続してファイルをエクスポートします。

ユーザーマニュアル



法的情報

©2022 Hangzhou Microimage Software Co., Ltd. 禁・無断複製。

本マニュアルについて

本マニュアルには製品の使用および管理についての指示が含まれています。ここに記載されている写真、表、画像およびその他すべての情報は説明のみを目的としています。本マニュアルに含まれる情報は、ファームウェア更新やその他の理由で通知なく変更されることがあります。HIKMICROのサイト (www.hikmicrotech.com/) で、本書の最新版をご覧ください。

本マニュアルは、本製品をサポートする訓練を受けた専門家の指導・支援を受けた上でご使用ください。

商標に関する確認

 HIKMICRO およびその他のHIKMICROの商標とロゴは、様々な裁判管轄地域におけるHIKMICROの所有物です。

言及されているその他の商標およびロゴは、各権利保有者の所有物です。

法的免責事項

適用法で認められる最大限の範囲で、本マニュアルおよび説明されている製品（ハードウェア、ソフトウェア、および本製品を含む）は、「現状のまま」および「すべての欠陥とエラーがある」状態で提供されます。HIKMICROでは、明示あるいは黙示を問わず、商品性、満足な品質、または特定目的に対する適合性などを一切保証しません。本製品は、お客様の自己責任においてご利用ください。HIKMICROは、本製品の利用に関連する事業利益の損失や事業妨害、データの損失、システムの障害、文書の損失に関する損害を含む特別、必然、偶発または間接的な損害に対して、それが契約に対する違反、不法行為(過失を含む)、製品の責任または製品の使用に関連するものであっても、たとえHIKMICROがそうした損害および損失について通知を受けていたとしても、一切の責任を負いません。

お客様は、インターネットにはその性質上固有のセキュリティリスクがあることを了解し、異常動作、プライバシーの流出、またはサイバー攻撃、ハッカー攻撃、ウィルス感染等のインターネットセキュリティリスクによる損害について、HIKMICROは一切責任を負いません。

ただし、必要に応じてHIKMICROは適時技術的サポートを提供します。お客様には、すべての適用法に従って本製品を利用し、さらにご自分の利用法が適用法を順守していることを確認する責任があります。特に、肖像権、知的財産権、またはデータ保護等のプライバシー権を非限定的に含むサードパーティの権利を侵害しない手段で本製品を利用する責任があります。動物の密猟やプライバシーの侵害など、法律に違反したり公序良俗に反する目的に本製品を使用してはなりません。大量破壊兵器の開発や生産、化学兵器・生物兵器の開発や生産、核爆発物や危険な核燃料サイクル、または人権侵害に資する活動を含む、禁じられている最終用途の目的で本製品を使用してはなりません。本マニュアルと適用法における矛盾がある場合については、後者が優先されます。

規制情報

EU 適合宣言



本製品および同梱の周辺機器（適用可能な場合）には「CE」マークが付いており、指令2014/53/EU (RED)、指令2014/30/EU (EMCD)、指令 2014/35/EU (LVD)、指令2011/65/EU (RoHS) の下に記載されている該当欧州統一規格に準拠しています。



指令2012/19/EU (WEEE 指令) :この記号が付いている製品は、欧州連合 (EU) の地方自治体の未分別廃棄物として処分できません。適切にリサイクルするために、本製品は同等の新しい装置を購入する際に、お近くの販売業者に返却いただくか、指定された収集場所で処分してください。詳細については次の URL を参照してください：

www.recyclethis.info。



指令2006/66/ECおよびその修正案2013/56/EU (バッテリー指令) :本製品には、欧州連合 (EU) の地方自治体の未分別廃棄物として処分できないバッテリーが含まれています。特殊バッテリー情報に関する製品資料をご覧ください。バッテリーにはこの記号が付いており、カドミウム (Cd)、鉛 (Pb)、水銀 (Hg) を示す文字も記載されています。適切にリサイクルするために、販売業者か、指定された収集場所にご返却ください。詳細については次の URL を参照してください： www.recyclethis.info。

安全上の指示

これらの指示は、ユーザーが製品を正しく使用し、危険や財産損失を回避できるように保証することを目的としています。

法規と規則

- 製品の使用にあたって、お住まいの地域の電気安全性に関する法令を厳密に遵守する必要があります。

輸送

- 輸送中は、デバイスを元のパッケージまたは類似したパッケージに梱包してください。
- 開梱後は、後日使用できるように、梱包材を保存しておいてください。不具合が発生した場合、元の梱包材を使用して工場に機器を返送する必要があります。
- 元の梱包材を使用せずに返送した場合、破損が発生する恐れがありますが、その際に、当社は一切責任を負いません。
- 製品を落下させたり、物理的な衝撃を与えないでください。本器を電磁妨害から遠ざけてください。

電源

- ご自分でアダプターをお求めください。入力電圧は、IEC61010-1規格の限定電源（5V DC、2A）を満たす必要があります。詳細情報に関しては技術仕様を参照してください。
- 正規メーカーより供給された電源アダプターを使用してください。電源の詳細な要件については、製品仕様を参照してください。
- バッテリー充電器が同梱されています。付属のバッテリー充電器の入力電圧は、限定電源（5V DC、2A）を満たしています。
- プラグが適切に電源ソケットに接続されていることを確認してください。
- 1台の電源アダプターに2台以上の機器を接続してはなりません。過負荷によって過熱したり、火災発生の危険があります。
- 電源は、IEC 60950-1またはIEC 62368-1規格の限定電源またはPS2の要件を満たす必要があります。

バッテリー

- バッテリーの不適切な使用や交換を行うと、爆発の危険性があります。同一または同等のタイプのものと同様に交換してください。
- 認定メーカーのバッテリーをご使用ください。バッテリーの詳細な要件については、製品仕様を参照してください。
- バッテリーの形式は保護回路基板付き18650リチウム電池で、サイ

ズは19 mm × 70 mmです。定格電圧と定格容量は3.6 VDC/3.35 Ah (12.06 Wh) です。バッテリーのメーカーによって提供された指示に準拠して、使用済みバッテリーを処分してください。

- 充電するときは、バッテリーの温度が0～45°Cであることを確認してください。
- バッテリーを長期保存する場合は、半年に一度はフル充電して、バッテリーの品質を保つようにしてください。これを怠った場合、破損の原因となります。
- 付属の充電器で種類が異なるバッテリーを充電しないでください。充電中は、充電器の2m以内に可燃物がないことをご確認ください。
- 暖房器具や火気の近くにバッテリーを置かないでください。直射日光を避けてください。
- お子様の手の届くところにバッテリーを置かないでください。
- バッテリーは、外部電源から直接充電できません。
- デバイスが充電できません。バッテリーの充電には、付属の充電器を使用してください。

メンテナンス

- 製品が正しく動作しない場合、販売店または最寄りのサービスセンターに連絡してください。承認されていない修理や保守行為による問題について、当社はいかなる責任も負いません。
- 必要ならば、エタノールを少量含ませたきれいな布でデバイスを静かに拭きます。
- メーカーが指定していない方法で使用した場合、デバイスが提供する保護機能が損なわれる恐れがあります。

使用環境

- 実行環境がデバイスの要件を満たしていることを確認します。動作温度は-30°C～55°C、湿度は5%～95%である必要があります。
- デバイスは、乾燥して換気の良い環境に配置してください。
- デバイスを強い電磁波や埃の多い環境にさらさないでください。
- レンズを太陽や極端に明るい場所に向けないでください。
- レーザー装置を使用している場合は、デバイスのレンズがレーザービームにさらされていないことを確認してください。焼損するおそれがあります。

緊急

- デバイスから煙や異臭、異音が発生した場合、すぐに電源を切り、電源ケーブルを抜いて、サービスセンターにご連絡ください。

레이저



레이저装置を使用している場合は、デバイスのレンズがレーザービームにさらされていないことを確認してください。焼損するおそれがあります。デバイスから放射されるレーザー光は、目の怪我や皮膚の焼損、発火性物質の原因となることがあります。補光機能を有効にする前に、レーザーレンズの前に人や可燃性物質がないことを確認してください。未成年者が取り出せる場所には置かないでください。

メーカー住所

310052 中国浙江省杭州市滨江区西興地区段鳳通り399号2棟ユニットB 313号室

Hangzhou Microimage Software Co., Ltd.

法令順守通知：本サーマルシリーズ製品は、アメリカ合衆国、欧州連合、英国などワッセナー・アレンジメントの会員国を含むがそれだけに限定されない各国・各地域で、輸出管理の対象となる可能性があります。サーマルシリーズ製品を外国へ転送・輸出・再輸出する場合は、貴社の法務・コンプライアンス部門もしくは自国の政府機関に、輸出ライセンスの条件についてご確認ください。

한국인

1. 간단한 설명

열화상 스코프는 고감도 IR 감지기를 탑재하고 고급 열화상 기술을 채택하여 좋지 않은 가시성 또는 어두운 환경에서 선명한 시야를 제공합니다. 대상을 보고 거리를 측정할 수 있습니다. 대상을 보고 거리를 측정할 수 있습니다. 이 장비는 수색과 구조, 사냥 등에 광범위하게 사용할 수 있습니다.

핫스팟을 통해 휴대전화에 연결한 후 HIKMICRO Sight 앱에서 스냅샷을 캡처하고 비디오를 녹화하며 파라미터를 설정할 수 있습니다. App Store(iOS 시스템) 또는 Google Play™(Android 시스템)에서 HIKMICRO Sight를 검색해 다운로드하거나 QR 코드를 스캔해 앱을 다운로드하고 설치하십시오.



Android 시스템



iOS 시스템

이 무선 장비에 적용 가능한 주파수 대역, 모드 및 송신 출력(방사 및/또는 전도)의 명목 한계는 다음과 같습니다.

Wi-Fi 2.4GHz(2.4GHz~2.4835GHz)	20dBm
--------------------------------	-------

2. 외관

열화상 스코프에는 두 가지 유형이 있습니다. 실제 제품을 참조하시기 바랍니다. 두 유형의 열화상 이미지 스코프의 버튼, 구성 요소 및 인터페이스는 동일합니다.

구성요소 및 인터페이스(페이지 1 - A)

번호	구성요소	기능
1	전원 키	<ul style="list-style-type: none"> ● 누르기: 대기 모드/장비 깨우기 ● 길게 누르기: 전원 켜기/끄기
2	측정 키	<ul style="list-style-type: none"> ● 누름: 레이저로 거리 측정 ● 길게 누름: 캡처
3	휠	<ul style="list-style-type: none"> ● 누름: 팔레트 변경 ● 길게 누름: 메뉴 작업 ● 회전: 디지털 줌 전환
4	렌즈 커버	렌즈를 보호합니다.
5	초점 링	시야를 조정합니다.
6	레이저 범위 측정기	레이저로 거리를 측정합니다.
7	배터리함	이 안에 배터리를 설치합니다.
8	고정 링	접안렌즈를 고정합니다.
9	접안렌즈	대상을 봅니다.

10	데이터 교환 인터페이스	출력 케이블을 연결합니다.
----	--------------	----------------

버튼 조합

번호	조합	기능
2 + 3	측정 키 + 휠	동시에 눌러 녹화를 시작하거나 중지합니다.
1 + 2 + 3	전원 키 + 측정 키 + 휠	동시에 눌러 숨겨진 메뉴로 이동합니다.

3. 배터리 설치(페이지 3 - B)

단계

1. 배터리 커버를 반시계 방향으로 돌려 풀어줍니다.
 2. 양극 표시가 안쪽으로 향하게 하여 배터리를 배터리함에 삽입합니다.
 3. 배터리 커버를 시계 방향으로 돌려 조입니다.
- 노트:** 장기간 장비를 사용하지 않을 경우 배터리를 분리하십시오.

4. 레일 설치(페이지 4 - C)

단계

1. 장비를 레일에 설치합니다(검은색 화살표 참조).
 2. 나사를 삽입하고 조입니다.
 3. 레버를 조여 장비를 고정합니다.
- 노트:**
- 먼저 장비를 끕니다.
 - 방진천을 사용하여 장비 베이스 및 레일을 청소합니다.

5. 장비 연결(페이지 5 - E)

단계

1. 장비를 켜고 핫스팟 기능이 비활성화되어 있는지 확인하십시오.
2. 데이터 교환 인터페이스의 커버를 들어 올립니다.
3. Type-C 케이블로 장비와 전원 어댑터를 연결하여 장비의 전원을 켭니다. 또는 장비와 PC를 연결하여 파일을 내보냅니다.

사용 설명서



법률 정보

©2022 Hangzhou Microimage Software Co., Ltd. 판권 보유.


매뉴얼 소개

본 매뉴얼에는 제품의 사용 및 관리에 필요한 지침이 포함되어 있습니다. 매뉴얼의 그림, 차트, 이미지 및 기타 모든 정보는 설명용으로만 제공되는 것입니다. 매뉴얼에 포함된 정보는 펌웨어 업데이트 또는 다른 사유로 예고 없이 변경될 수 있습니다. 이 설명서의 최신 버전을 보려면 HIKMICRO

웹사이트(www.hikmicrotech.com/)를 참조하십시오.

본 매뉴얼은 제품 지원 교육을 받은 전문가의 안내 및 지원 하에 사용하십시오.

상표 등록

 HIKMICRO 및 기타 HIKMICRO의 상표와 로고는 여러 관할 지역에 등록된 HIKMICRO의 재산입니다.

기타 상표 및 로고는 각 소유자의 재산입니다.

법적 고지 사항

관련 법률에서 허용하는 최대 범위에서 본 매뉴얼 및 설명된 제품은 하드웨어, 소프트웨어와 펌웨어의 모든 결함 및 오류가 “있는 그대로” 제공됩니다. HIKMICRO는 상품성, 품질 만족도, 특정 목적에의 적합성 및 타사의 비침해를 포함하되 이에 국한되지 않고 명시적 또는 묵시적으로 보증하지 않습니다. 제품 사용 시 책임은 전적으로 사용자에게 있습니다. 어떠한 경우에도 HIKMICRO는 제품의 사용과 관련해 발생하는 특별한, 결과적, 부수적 또는 간접적 손해 및 특히 사업상의 이익 손실, 운영 중단으로 인한 손해 또는 데이터의 손실, 시스템 장애 또는 문서의 손실에 대해 계약 위반, 불법 행위(과실 책임 포함), 제조물 책임 또는 그 외 제품 사용 관련성과 관계없이 일절 책임지지 않으며 HIKMICRO이 해당 손상 또는 손실이 발생할 가능성을 권고한 경우에도 그렇습니다.

귀하는 인터넷의 특성상 본질적으로 보안 위험이 잠재해 있음을 인정하며, HIKMICRO는 사이버 공격, 해커 공격, 바이러스 감염 또는 기타 인터넷 보안 위험으로 인해 발생한 비정상 작동, 개인정보 유출 또는 기타 손해에 대해 일절 책임지지 않습니다. 그러나 HIKMICRO는

필요한 경우 시기적절하게 기술 지원을 제공합니다.
 귀하에 해당되는 모든 법률을 준수해 본 제품을 사용하는 데 동의하며, 해당되는 법률을 준수해 사용하는 것은 전적으로 귀하의 책임입니다. 특히, 귀하의 퍼블리시티권, 지적 재산권, 데이터 보호 및 기타 개인 정보 보호권을 포함하되 이에 국한되지 않고 제3자의 권리를 침해하지 않는 방식으로 본 제품을 사용하는 것에 대해 책임을 집니다. 귀하는 불법적인 동물 사냥, 사생활 침해 또는 공공의 이익에 반하거나 불법적인 기타 목적을 위해 본 제품을 사용하지 않습니다. 귀하는 대량 살상 무기 개발 또는 생산, 화학 또는 생물 무기 개발 또는 생산, 핵폭발 또는 안전하지 않은 핵연료 주기와 관련된 또는 인권 침해를 조장할 수 있는 개발 또는 생산을 포함해 금지된 최종 용도를 위해 본 제품을 사용하지 않습니다.
 본 매뉴얼과 적용되는 법률 사이에 충돌이 발생하는 경우 법률이 우선합니다.

규제 정보

EU 적합성 선언



본 제품은 물론 제공되는 액세서리에는(해당되는 경우) "CE"가 표시되어 있으며, Directive 2014/53/EU(RED), Directive 2014/30/EU(EMCD), Directive 2014/35/EU(LVD), Directive 2011/65/EU(RoHS)에 명시된 적용되는 유럽 표준을 준수합니다.



2012/19/EU(WEEE 지침): 이 기호가 표시된 제품은 유럽 연합 내에서 분류되지 않은 일반폐기물로 폐기할 수 없습니다. 적절히 재활용하기 위해 동급 장비를 새로 구매할 때 현지 공급업체에 제품을 반납하거나 지정된 수거 장소에 폐기하십시오. 자세한 내용은 www.recyclethis.info를 참조하십시오.



2006/66/EC 및 개정 2013/56/EU(배터리 지침): 본 제품에는 유럽 연합 내에서 분류되지 않은 일반폐기물로 폐기할 수 없는 배터리가 포함되어 있습니다. 특정 배터리에 관한 자세한 내용은 제품 관련 문서를 참조하십시오. 이 기호가 표시된 배터리에는 카드뮴(Cd), 납(Pb) 또는 수은(Hg)을 나타내는 글자가 포함될 수 있습니다. 적절히 재활용하기 위해 공급업체에 배터리를 반납하거나 지정된 수거 장소에 폐기하십시오. 자세한 내용은 www.recyclethis.info를 참조하십시오.

안전 지침

이 지침은 사용자가 제품을 올바르게 사용해 위험 또는 재산상의

손실을 방지하도록 하기 위해 제공되는 것입니다.

법률 및 규정

- 제품을 사용하려면 현지 전기 안전 규정을 엄격히 준수해야 합니다.

운반

- 장비를 운반할 때는 본래 포장재 또는 유사한 포장재에 장비를 놓으십시오.
- 포장을 뜯은 다음에는 나중에 사용할 수 있도록 모든 포장재를 보관하십시오. 고장이 발생할 경우에는 장비를 본래 포장 상태로 포장해 공장으로 반품해야 합니다.
- 본래 포장 상태로 운송하지 않으면 장비가 손상될 수 있으며, 회사는 일절 책임지지 않습니다.
- 제품을 떨어뜨리거나 물리적 충격을 가하지 마십시오. 장비가 전자파의 간섭을 받지 않도록 하십시오.

전원 공급 장치

- 어댑터는 직접 구입하십시오. IEC61010-1 표준에 따라 입력 전압은 LPS(5VDC, 2A)를 충족해야 합니다. 자세한 내용은 기술 사양을 참조하십시오.
- 공인 제조사에서 제공한 전원 어댑터를 사용하십시오. 자세한 전원 요구 사항은 제품 사양을 참조하십시오.
- 배터리 충전기는 패키지에 포함되어 있습니다. 제공되는 배터리 충전기의 입력 전압은 제한 전원(5 VDC, 2 A)을 충족해야 합니다.
- 플러그가 전원 소켓에 올바르게 연결되어 있는지 확인하십시오.
- 과부하로 인한 과열 또는 화재 위험을 방지하기 위해 하나의 전원 어댑터에 여러 장비를 연결하지 마십시오.
- IEC 60950-1 또는 IEC 62368-1 표준에 따라 전원 소스는 제한 전원 또는 PS2 요구 사항을 충족해야 합니다.

배터리

- 부적절한 배터리를 사용하거나 교체하면 폭발의 위험을 초래할 수 있습니다. 동일하거나 동급 유형의 배터리로만 교체합니다.
- 공인 제조사에서 제공한 배터리를 사용하십시오. 자세한 배터리 요건은 제품 사양을 참조하십시오.
- 배터리 유형은 보호 보드가 있는 18650이며 배터리 크기는 19mm x 70mm 이내여야 합니다. 정격 전압 및 용량은 3.6VDC/3.35Ah(12.06Wh)입니다. 사용한 배터리는 배터리 제조사가 제공하는 지침에 따라 폐기합니다.
- 충전할 때는 배터리 온도가 0°C ~ 45°C(32°F ~ 113°F)여야 합니다.

- 배터리를 장기간 보관하는 경우 배터리의 품질을 보장하기 위해 6개월마다 완충하십시오. 그렇지 않을 경우 손상될 수 있습니다.
- 제공되는 충전기로 다른 유형의 배터리를 충전하지 마십시오. 충전하는 동안 충전기에서 2m 이내에 가연성 물질이 없도록 하십시오.
- 배터리를 열원 또는 화재 발생원 근처에 두지 마십시오. 직사광선을 피하십시오.
- 배터리를 어린이의 손에 닿는 곳에 두지 마십시오.
- 배터리는 외부 전원 공급 장치로 직접 충전할 수 없습니다.
- 장비를 충전할 수 없습니다. 제공된 충전기를 사용하여 배터리를 충전하십시오.

유지 관리

- 제품이 제대로 작동하지 않을 경우 판매점 또는 가까운 서비스 센터에 문의하십시오. 당사는 무단 수리 또는 유지 관리로 인해 발생한 문제에 대해 일절 책임지지 않습니다.
- 필요한 경우 깨끗한 헝겊에 에탄올을 소량 묻혀 장비를 살살 닦아주십시오.
- 제조사가 지정하지 않은 방식으로 장비를 사용하는 경우 장비에 의해 제공되는 보호 성능이 손상될 수 있습니다.

사용 환경

- 작동 환경이 장비의 작동 요구 사항을 충족하도록 하십시오. 작동 온도는 $-30^{\circ}\text{C}\sim 55^{\circ}\text{C}$ ($-22^{\circ}\text{F}\sim 131^{\circ}\text{F}$)여야 하며 작동 습도는 5%~95% 사이여야 합니다.
- 장비를 건조하고 통풍이 잘되는 환경에 두십시오.
- 장비를 전자파 방사가 높거나 먼지가 많은 환경에 노출하지 마십시오.
- 렌즈를 태양 또는 기타 밝은 빛에 조준하지 마십시오.
- 레이저 장비를 사용할 때는 장비 렌즈를 레이저 빔에 노출하지 마십시오. 그렇지 않으면 화재가 발생할 수 있습니다.

비상 버튼

- 장비에서 연기, 냄새 또는 소음이 발생하면 즉시 전원을 끄고 전원 케이블을 뽑은 다음 서비스 센터에 연락하십시오.

레이저



레이저 장비를 사용할 때는 장비 렌즈를 레이저 빔에 노출하지 마십시오. 그렇지 않으면 화재가 발생할 수 있습니다. 장비에서 방출되는 레이저 방사선은 눈 손상, 피부 화상을 초래하거나 인화성 물질을 생성할 수

있습니다. 보완 조명 기능을 활성화하기 전에 레이저 렌즈 앞에 사람 또는 인화성 물질이 없도록 하십시오. 미성년자가 사용할 수 있는 장소에 장비를 놓지 마십시오.

제조사 주소

중국 저장성 310052 항저우 빈장구 시싱 하위지구 단펑가 399 빌딩
2 룸 313
Hangzhou Microimage Software Co., Ltd.

규정 준수 알림: 열화상 시리즈 제품은 미국, 유럽 연합, 영국 및/또는 기타 바세나르 협정국을 포함하되 이에 국한되지 않고 여러 국가 및 지역의 수출 통제 대상이 될 수 있습니다. 열화상 시리즈 제품을 국가 간 운송, 수출, 재수출하려는 경우 필요한 수출 라이선스 요구 사항에 대해 법률 또는 규정 준수 전문가 또는 해당 국가의 정부 기관에 문의하십시오.

繁體中文

1. 簡要說明

熱像儀配備高靈敏度紅外線偵測器，採用先進熱像技術，在視線不佳或黑暗環境中獲得清晰的視野。這有助於查看目標和測量距離。這有助於查看目標和測量距離。本裝置用途廣泛，可用於搜救和狩獵等。本裝置透過熱點連接您的行動電話後，即可使用 HIKMICRO Sight 應用程式拍照、錄影及設定參數。在 App Store (iOS 系統) 或 Google Play™ (Android 系統) 搜尋並下載 HIKMICRO Sight，或掃描二維碼下載並安裝應用程式。



Android 系統

iOS 系統

本無線電裝置適用的頻帶和模式以及傳輸功率（輻射及/或傳導）額定限值如下：

Wi-Fi 2.4 GHz (2.4 GHz 至 2.4835 GHz)	20 dBm
--------------------------------------	--------

2.外觀

熱像儀包含兩種款式。請參考實際產品。兩種熱像儀的按鈕、元件和介面相同。

元件與介面 (第 1 - A 頁)

編號	元件	功能
1	電源鍵	<ul style="list-style-type: none">● 按下：待機模式/喚醒裝置● 按住：排程開機/關機
2	測量鍵	<ul style="list-style-type: none">● 按下：雷射測距● 按住：擷取
3	旋鈕	<ul style="list-style-type: none">● 按下：切換選擇區● 按住：選單操作● 轉動：切換數位變焦
4	鏡頭保護蓋	保護鏡頭。
5	對焦環	調整觀景視圖。
6	雷射測距儀	使用雷射測距。
7	電池槽	在此安裝電池。
8	聚焦圈	固定目鏡。
9	目鏡	觀測目標。

10	資料交換介面	接上輸出纜線。
----	--------	---------

按鈕組合

編號	組合	功能
2 + 3	測量鍵 + 旋鈕	同時按下可開始和停止錄影。
1 + 2 + 3	電源鍵 + 測量鍵 + 旋鈕	同時按下可進入隱藏選單。

3. 安裝電池 (第 3 - B 頁)

步驟

1. 逆時針轉動電池蓋以便鬆開。
2. 將電池插入電池槽，正極標記向內。
3. 順時針轉動電池蓋以便轉緊。

註記： 如果長時間不使用裝置，請將電池取出。

4. 安裝導軌 (第 4 - C 頁)

步驟

1. 如黑色箭頭所示，將裝置安裝在導軌上。
2. 將螺絲插入並鎖緊。
3. 鎖緊控制桿以固定裝置。

註記：

- 先關閉裝置。
- 利用無塵布清潔裝置底座和導軌。

5.連接裝置 (第 5 - E 頁)

步驟

- 1.開啟裝置並確認熱點功能已停用。
- 2.掀開資料交換介面的蓋子。
- 3.使用 Type-C 連接線連接裝置和電源變壓器來開啟裝置電源。或者，連接裝置和個人電腦來匯出檔案。

使用手冊



法律資訊


©2022 杭州微影軟件有限公司保留所有權利。

關於本手冊

本手冊提供有關使用和管理產品的指示。以下的圖片、圖表、圖像和所有其他資訊僅供描述和說明用途。本手冊所含資訊可能會因韌體升級或其他原因而變動，恕不另行通知。請至 HIKMICRO 網站 (www.hikmicrotech.com/) 尋找本手冊最新版本。

請在受過產品支援訓練的專業人員的指引與協助下使用本手冊。

商標告知

 HIKMICRO 及其他 HIKMICRO 的商標和標誌是 HIKMICRO 在不同司法管轄區的財產。

所提及的其他商標和標誌為各自擁有者的財產。

法律免責聲明

在適用法律允許的最大範圍內，本手冊及所描述產品，其硬體、軟體和韌體均以「現狀」提供，瑕疵錯誤概不負責。HIKMICRO 不作任何明示或暗示的保證，包括但不限於適售性、品質滿意度或適合某特定用途。您必須承擔使用本產品的風險。對於任何特殊、衍生、偶發或間接的損害，包括但不限於營業利潤損失、營業中斷，或者資料遺

失、系統毀損或文件遺失，只要是基於違反合約、侵權（包括過失）、產品責任或產品使用（即使 HIKMICRO 已知悉可能會有此類損害或損失），HIKMICRO 概不負責。

您了解網際網路的性質具有固有的安全風險，對於因網路攻擊、駭客攻擊、病毒感染或其他網路安全風險而造成的異常運作、隱私洩漏或其他損害，HIKMICRO 概不承擔任何責任；但 HIKMICRO 將提供及時的技術支援。

您同意依照所有適用法律使用本產品，而且您有責任確保您的使用符合適用法律。特別是，您有責任在使用本產品時不侵犯第三方權利，包括但不限於出版權、知識財產權或資訊保護以及其他隱私權。不得將本產品作為非法狩獵動物、侵犯隱私權或任何其他非法或損害公眾利益等用途。您不得將本產品用於任何禁止的最終用途，包括開發或生產大規模毀滅性武器、開發或生產化學武器或生物武器，以及任何有關核爆炸或不安全核燃料循環的任何活動，或支持侵犯人權。

如果本手冊與適用法律產生任何衝突，以後者為準。

法規資訊

歐盟聲明



本產品及其配件（如果有）均會標示「CE」，表示符合適用 Directive 2014/53/EU(RED)、Directive 2014/30/EU(EMCD)、Directive 2014/35/EU(LVD)、Directive 2011/65/EU(RoHS) 所列歐洲協調標準。



指令 2012/19/EU (WEEE 指令)：已標示此符號的產品在歐盟不得當成未分類的都市廢棄物處理。為了正確回收，請在購買同等的新設備時將本產品退回當地供應商，或將其棄置在指定的回收點。詳細資訊請參閱 www.recyclethis.info



指令 2006/66/EC 及其修訂 2013/56/EU (電池指令)：本產品內含一顆電池，在歐盟區不能當成未分類的都市廢棄物處理。有關特定的電池資訊，請參閱產品說明文件。已標示此符號的電池可能含有代表鎘 (Cd)、鉛 (Pb) 或汞 (Hg) 的字母。為正確回收，請將電池送回供應商或指定的回收點。有關詳細資訊請參閱：www.recyclethis.info。

安全指示

這些指示的目的在確保使用者正確使用本產品，避免造成危險或財產

損失。

法律和法規

- 使用本產品必須嚴格遵守當地電氣安全法規。

運輸

- 在運送裝置時，請將裝置放入原本的或類似的包裝中。
- 在拆封後保留所有包裝以供將來使用。如果發生任何故障，則需要利用原本的包裝將裝置送回工廠。
- 未使用原本的包裝運輸可能會導致裝置損壞，本公司概不承擔任何責任。
- 請勿使本產品掉落或遭受撞擊。請勿讓裝置受到磁性干擾。

電源供應

- 請自行購買變壓器。根據 IEC61010-1 標準，輸入電壓應符合有限電源 (5 VDC, 2A) 的規定。如需詳細資訊，請參閱技術規格。
- 請使用合格製造商提供的電源變壓器。有關詳細的功率要求，請參閱產品規格。
- 包裝中隨附電池充電器。隨附電池充電器的輸入電壓應符合有限電源 (5 VDC, 2 A)。
- 確認已將插頭正確連接至電源插座。
- 請勿將多個裝置連接至相同電源變壓器以避免過熱，或因過載造成火災危險。
- 根據 IEC 60950-1 或 IEC 62368-1 標準，電源應符合有限電源或 PS2 要求。

電池

- 不當使用或更換電池可能會導致爆炸危險。僅以相同或同等類型取代。
- 使用合格製造商提供的電池。有關詳細的電池要求，請參閱產品規格。
- 電池類型為含保護板的 18650，而且電池大小應在 19 公釐 × 70 公釐以內。額定電壓和容量為 3.6 VDC/3.35 Ah (12.06 Wh)。依照電池製造商提供的說明處理用過的電池。
- 充電時，電池溫度務必介於 0°C 至 45°C (32°F 至 113°F) 之間。
- 為了長期儲存電池，請確保電池每半年充滿電，以確保電池品質。否則，可能會造成損壞。

- 請勿使用隨附的充電器為其他類型的電池充電。確認充電時充電器距離 2 公尺內沒有易燃物料。
- 請勿將電池放在加熱或火源附近。避免陽光直射。
- 請勿將電池放在兒童接觸得到的地方。
- 無法直接使用外部電源替電池充電。
- 裝置無法充電。請使用隨附的充電器為電池充電。

維護

- 如果產品無法正常運作，請聯絡您的經銷商或最近的服務中心。對於因未經授權的維修或保養而造成的問題，本公司概不承擔任何責任。
- 如有需要，請使用乾淨的布和少量酒精輕輕擦拭裝置。
- 如果以製造商未指定的方式使用設備，則可能會影響裝置所提供的保護。

使用環境

- 請確定操作環境符合裝置的需求。工作溫度應為 -30°C 至 55°C (-22°F 至 131°F)，且濕度應為 5% 至 95%。
- 將裝置放在乾燥且通風良好的環境中。
- 請勿使裝置暴露於高電磁輻射或塵土飛揚的環境中。
- 請勿將鏡頭瞄準陽光或任何其他明亮的光線。
- 使用任何雷射設備時，請確保裝置鏡頭未暴露在雷射光束中，否則可能會燒毀。

緊急

- 如果裝置產生煙霧、異味或噪音，請立即關閉電源，拔除電源線，並聯絡維修中心。

雷射



使用任何雷射設備時，請確保裝置鏡頭未暴露在雷射光束中，否則可能會燒毀。裝置發射的雷射輻射可能會導致眼睛受傷、皮膚燃燒或易燃物質。在啟用補光功能之前，請確保雷射鏡頭前面沒有人類或易燃物質。請勿將裝置放在未成年人可取得的地方。

製造地址

310052 中國浙江省杭州市濱江區西興街區丹風路 399 號 2 棟 B 棟

313 室

杭州微影軟件有限公司

合規性注意事項：熱像系列產品可能在不同國家或地區受到出口管制，包括但不限於美國、歐盟、英國和/或瓦森納協議的其他成員國。如果您打算在不同國家之間轉讓、出口、再出口熱像系列產品，請洽詢您的專業法律或合規性專家或地方政府機關，以瞭解任何必要的出口許可要求。



HIKMICRO

See the World in a New Way



Facebook: HIKMICRO Outdoor Instagram: hikmicro_outdoor

YouTube: HIKMICRO Outdoor

LinkedIn: HIKMICRO

UD25647B-A