



# A50T-S

## Digital Night Vision Scope

HIKMICRO ALPEX A50T-S Digital Night Vision Scope can perform in all ambient light that is present. It has an advanced 1920 × 1080 HD detector, 1024 × 768 OLED display, and a 50 mm lens, which provides full-color clarity in the daytime and classic black & white viewing at night with an extreme detection range of up to 600 meters. The traditional-style tube design meets the needs of professional hunters who value traditions and seek technological superiority.

### Key Features

- 1920 × 1080 High-Definition detector
- 1024 × 768 resolution 0.39-inch OLED display
- 50 mm lens with detection range up to 600 m
- Supports Day/Night mode
- Supports audio and recoil-activation recording, built-in EMMC (64 GB)
- Up to 12 hours of continuous operation
- 30 mm standard mount rings

## Specification

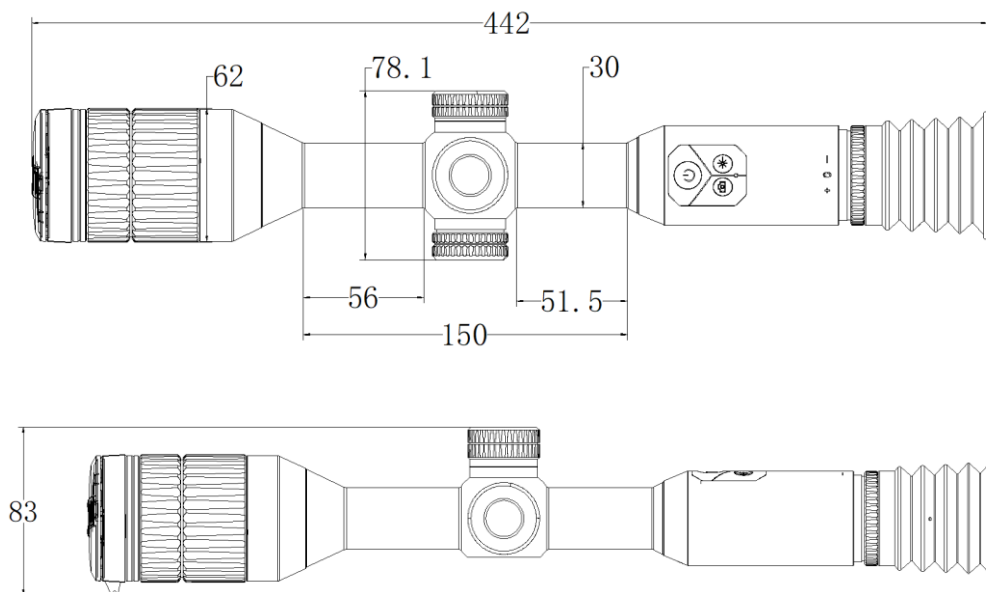
MAIN	
MAX. RESOLUTION	1920 × 1080
FRAME RATE	50 Hz
LENS (FOCAL LENGTH)	50 mm
APERTURE	F1.2
MIN. FOCUSING DISTANCE	3 m
MAGNIFICATION	3.5× to 14× (4×)
FIELD OF VIEW	7.7° × 5.8°/13.5 m × 10.1m @100 m
DETECTION RANGE	Day: 600 m Night: 550 m
IMAGE DISPLAY	
DISPLAY	1024 × 768, 0.39 inch, OLED
IMAGE MODE	Day, Night
EXIT PUPIL	5 mm
EYE RELIEF	60 mm
DIOPTER (RANGE)	-5 D to 5 D
SYSTEM	
RECORD VIDEO	On-board Video Recording
CAPTURE SNAPSHOT	Yes
AUDIO RECORDING	Yes
RECOIL-ACTIVATION RECORDING	Yes
STANDBY MODE	Yes
STORAGE	Built-in EMMC (64 GB)
PIP	Yes
FREEZE ZEROING	Yes
HOTSPOT	Yes
RETICLE	Yes
RECORD VIDEO RESOLUTION	1440 × 1080
CAPTURE RESOLUTION	1440 × 1080
MAX. RECOIL	1000 g/0.4 ms
POWER SUPPLY	
BATTERY TYPE	Two rechargeable Lithium batteries (internal) and one replaceable CR123A (external)

BATTERY OPERATING TIME	12 hours continuous running (@25°C, Wi-Fi off)
BATTERY CAPACITY DISPLAY	Yes
ANTI-REVERSE BATTERY CONNECTION	Yes
OVERVOLTAGE PROTECTION	Yes
POWER SUPPLY	5 VDC/2 A, USB Type-C interface
<b>GENERAL</b>	
PROTECTION LEVEL	IP67
WEIGHT	1062 g without eyepiece and CR123A
DIMENSION	442 mm × 78.1 mm × 83.5 mm
WORKING TEMPERATURE	-30°C to 55°C (-22°F to 131°F)
MOUNTING	Standard 30 mm

## Available Model

**HM-TR3D-50Q/WV-A50T-S**

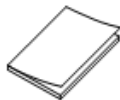
## Dimension



Unit: mm

## Accessories

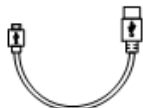
### Packing List



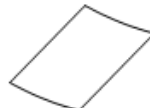
Quick Start Guide  
(x1)



Battery CR123A (x2)



Type-C Cable (x1)



Dust-free Cloth (x1)



Bag (x1)



 HIKMICRO Outdoor  hikmicro\_outdoor  HIKMICRO Outdoor  HIKMICRO  [info@hikmicrotech.com](mailto:info@hikmicrotech.com)  <http://hikmicrotech.com/en>

Room 313, Unit B, Building 2, 399 Danfeng Road, Xixing Subdistrict, Binjiang District, Hangzhou, Zhejiang  
@hangzhou microimage software co.,Ltd .2020 | data subject to change without notice!