



HIKMICRO

HM-THUNDER-50A Adapter



The HM-THUNDER-50A adapter connects the thermal image clip-on and the daylight scope. It can be used with HM-THUNDER-EC to change the thermal image scope HM-TR13-35XF/W-TH35 to clip-on.

Specification

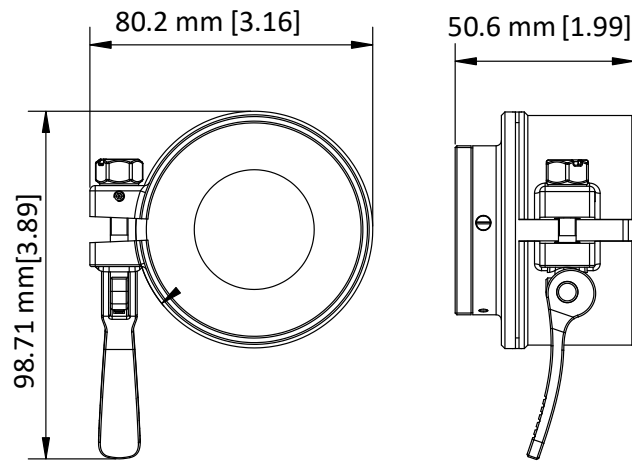
Parameter	
Dimension	98.71 mm × 80.2 mm × 50.6 mm (3.89" × 3.16" × 1.99")
Weight	90 g (0.20 lb)
Mounting Diameter	54.1 mm to 59 mm
Accessory	Wrench, Plate, Ring

Available Model

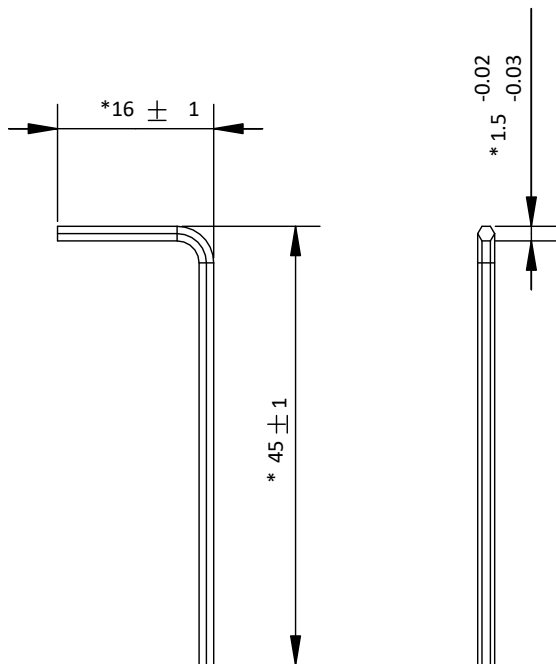
HM-THUNDER-50A

Dimension

Adapter

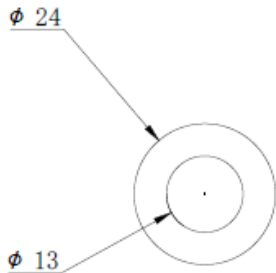


Wrench



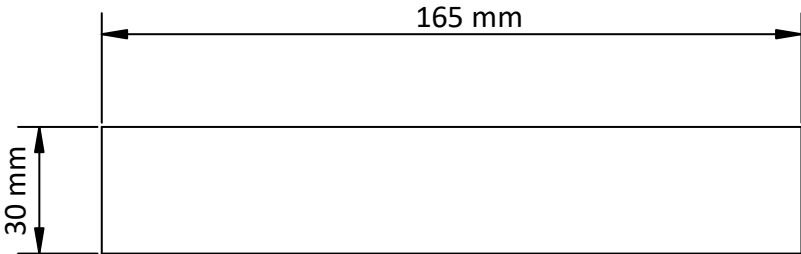
Unit: mm

Ring



Unit:mm

Plate



COMPLIANCE NOTICE: The thermal series products might be subject to export controls in various countries or regions, including without limitation, the United States, European Union, United Kingdom and/or other member countries of the Wassenaar Arrangement. Please consult your professional legal or compliance expert or local government authorities for any necessary export license requirements if you intend to transfer, export, re-export the thermal series products between different countries.

