

HM-TD2067T-6/X Thermographic Network Box Camera



The Thermographic Network Box Camera with small size, low power consumption and simple integration realizes real-time high-accuracy object temperature measurement.

▪ Key Features

- 640 × 512 resolution, high sensitivity sensor
- Object temperature range: - 20 °C to 150 °C (- 4 °F to 302 °F), 0 °C to 550 °C (32 °F to 1022 °F); Max (± 2 °C, $\pm 2\%$)
- Temperature measurement at user-defined points, lines, and areas
- A highlighted cross at the max. temperature in the thermal image
- Thermal image frame rate: 50 fps
- Color alarm (isotherm) available for Above, Between, and Below object temperatures

▪ Specification

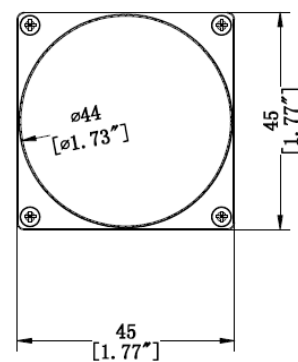
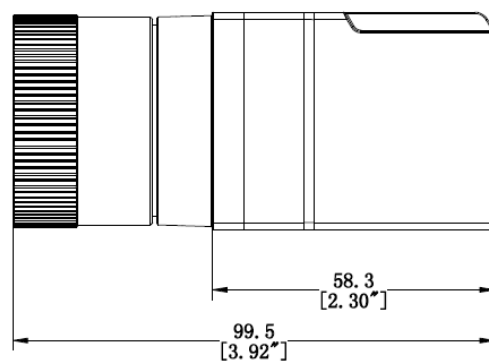
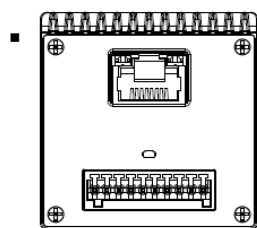
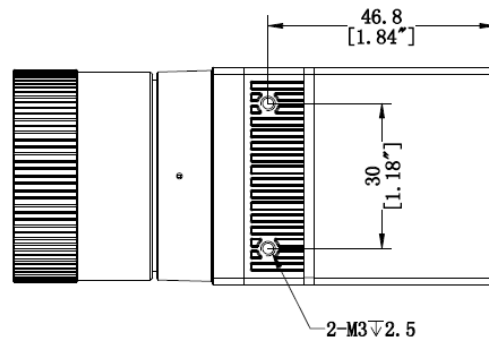
| Thermal Module | |
|-----------------------------|---|
| Image Sensor | Vanadium Oxide Uncooled Focal Plane Arrays |
| Resolution | 640 × 512 |
| Pixel Pitch | 17 μm |
| Spectral Range | 8 μm to 14 μm |
| NETD | < 35 mK (25 °C, F# = 1.0) |
| Focal Length | 6.3 mm |
| IFOV | 2.70 mrad |
| Field of View | 88.5° × 73.2° (H × V) |
| Min. Focusing Distance | 0.6 m |
| Aperture | F 1.0 |
| Measurement and Analysis | |
| Object Temperature Range | - 20 °C to 150 °C (- 4 °F to 302 °F), 0 °C to 550 °C (32 °F to 1022 °F) |
| Temperature Accuracy | Max (± 2 °C, ± 2%) |
| Measurement Presets | Hot spot, cold spot in real time |
| Point | 10 User Presets |
| Line | 1 User Presets |
| Area | 7 User Presets |
| Color Alarm (Isotherm) | Above/Between/Below |
| Thermographic Integration | |
| Temperature Metadata | Continuous output data of preset thermographic rules and measured temperature |
| Thermographic Data Encoding | 4 fps, 32-bit 640 × 512 per frame |
| Thermographic Data Upload | Real-time full-screen thermographic data matrix (16-bit or 32-bit 640 × 512) via RTSP, ISAPI, and SDK |
| Raw Data Upload | Real-time full-screen YUV data via RTSP and SDK |
| Video and Image | |
| Main Stream | 50 fps (640 × 512) |
| Video Compression | H.264/MJPEG |
| Color Palettes | 15 options: White Hot, Black Hot, Fusion 1, Rainbow, Fusion 2, Ironbow 1, Ironbow 2, Speia, Color 1, Color 2, Ice Fire, Rain, Red Hot, Green Hot, Dark Blue |
| Digital Zoom | 2 ×, 4 × |
| Network | |
| Protocols | IPv4/IPv6, HTTP, HTTPS, 802.1x, QoS, FTP, SMTP, UPnP, SNMP, DNS, DDNS, NTP, RTSP, RTCP, RTP, TCP, UDP, IGMP, ICMP, DHCP, PPPoE |
| Simultaneous Live View | Up to 6 channels |
| User/Host level | Up to 32 users, 3 levels: Administrator, Operator, User |
| Security | User authentication (ID and PW), MAC address binding, HTTPS encryption, IEEE 802.1x(EAP-MD5, EAP-TLS), access control, IP address filtering |
| Client | iVMS-4800 |
| Interface | |
| Alarm Input | 1, alarm input (0-3.3 VDC) |
| Alarm Output | 1, alarm output; NC, level quantity |
| Analog Output | 1, CVBS output |

| | |
|------------------------------|---|
| Communication Interface | 1, RJ45 10 M/100 M self-adaptive Ethernet interface 1, RS-485 interface (ModBus available) |
| General | |
| Menu Language | English |
| Power Supply | 10-30 VDC, Max. 2.5 W |
| Working Temperature/Humidity | - 20 °C to 50 °C (- 4 °F to 122 °F) 90% or less |
| Protection Level | IP40 |
| Mount | M3 |
| Weight | Approx. 265 g (0.58 lb) |
| Dimensions | 99.5 mm × 45 mm × 45 mm (3.92" x 1.77" x 1.77") |

▪ **Available Model**

HM-TD2067T-6/X

Dimension



Unit:mm[Inch]

COMPLIANCE NOTICE: The thermal series products might be subject to export controls in various countries or regions, including without limitation, the United States, European Union, United Kingdom and/or other member countries of the Wassenaar Arrangement. Please consult your professional legal or compliance expert or local government authorities for any necessary export license requirements if you intend to transfer, export, re-export the thermal series products between different countries.

