

# CHEETAH C32F-RNL

## Digital Night Vision Monocular



HIKMICRO Cheetah C32F-RNL Digital Night Vision Monocular, which can be easily transformed into a scope, performs well under any lighting condition. Its advanced  $2560 \times 1440$  HD sensor and  $1920 \times 1080$  OLED display are capable of capturing every object in great detail and with rich clarity. Featuring a specific optical component, it can detect more IR information in fog.

### Key Features

- $2560 \times 1440$  high-definition sensor
- $1920 \times 1080$  resolution 0.49" OLED display
- Supports Day/Night/Auto/Defog mode
- Built-in adjustable IR emitter
- Supports audio recording and recoil-activation recording
- Support video recording and snapshot, built-in eMMC (64 GB)
- Detection range up to 350 m
- Built-in laser rangefinder, accurate measurement of distance
- Replaceable and rechargeable battery

## Specification

MAIN	
MAX. RESOLUTION	2560 × 1440
LENS (FOCAL LENGTH)	32 mm
FIELD OF VIEW	9.9° × 7.5°
MIN. FOCUSING DISTANCE	3 m
FRAME RATE	25 Hz
APERTURE	F1.2
MAGNIFICATION	1×
DETECTION RANGE	350 m (with IR 940 nm ON)
IMAGE DISPLAY	
DISPLAY	1920 × 1080 resolution 0.49" OLED
IMAGE MODE	Day, Night, Auto, Defog
EXIT PUPIL	22 mm
EYE RELIEF	10 mm
DIOPTER (RANGE)	NA
SYSTEM	
DIGITAL ZOOM	1×
CAPTURE SNAPSHOT	Yes
STANDBY MODE	Yes
RECOIL-ACTIVATION RECORDING	Yes
RETICLE	Yes
RECORD VIDEO RESOLUTION	Yes
FREEZE ZEROING	NO
STORAGE	Built-in EMMC (64 GB)
PIP	NO
AUDIO RECORDING	Yes
MAX. RECOIL	750 g
HOTSPOT	Yes
POWER SUPPLY	
BATTERY TYPE	One Rechargeable Li-ion battery
BATTERY OPERATING TIME	5.5 hours continuous running (@ 25°C, Hotspot, IR Emitter, Laser Rangefinder OFF)
OVERVOLTAGE PROTECTION	Yes

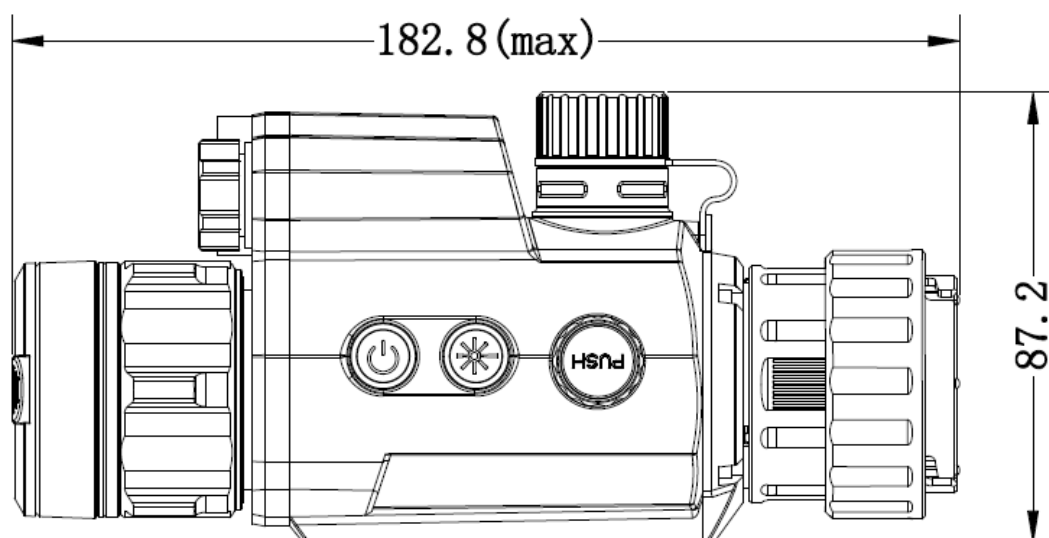
TYPE-C POWER SUPPLY	5 VDC/2 A, USB Type-C interface Supports external power supply
---------------------	---

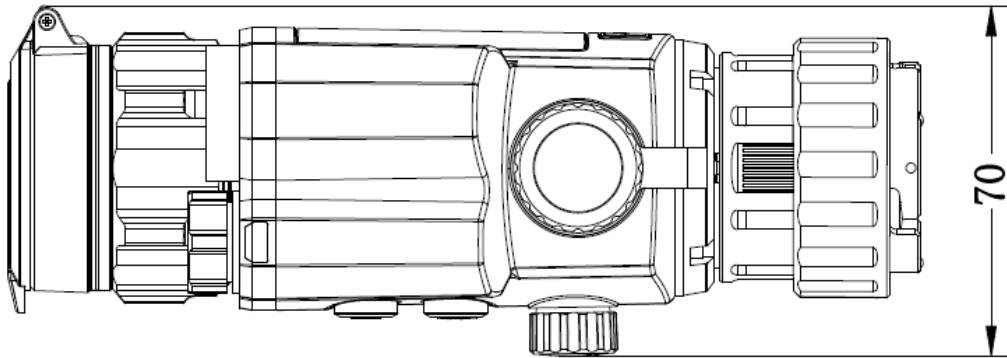
GENERAL	
WORKING TEMPERATURE	-30°C to 55°C (-22°F to 131°F)
DIMENSION	182.8 mm × 70 mm × 87.2 mm (7.2" × 2.76" × 3.43")
WEIGHT	≤ 477 g without eyepiece and batteries
PROTECTION LEVEL	IP67
LASER RANGEFINDER	
SAFETY CLASS FOR LASER	Class 1
WAVE LENGTH	905 nm
MAX. MEASURING RANGE	1000 m
MEASUREMENT ACCURACY	± 4‰
MIN. MEASURING RANGE	10 m

## Available Model

**HM-TR2E-32Q/W-C32F-RNL**

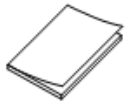
## Dimension





Unit: mm [inch]

## Accessories



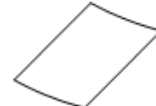
Quick Start Guide (x1)



Battery (x2)



Type-C Cable (x1)



Dust-free Cloth (x1)



Bag (x1)



Battery Charger

## Optional Accessories



Adapter (x1)



Insert Ring (x5)



Eyepiece(x1)



HIKMICRO SIGHT



HIKMICRO Outdoor hikmicro\_outdoor HIKMICRO Outdoor HIKMICRO info@hikmicrotech.com <http://hikmicrotech.com/en>

Room 313, Unit B, Building 2, 399 Danfeng Road, Xixing Subdistrict, Binjiang District, Hangzhou, Zhejiang  
@hangzhou microimage software co.,Ltd .2020 | data subject to change without notice!