



# HM-L129IR

## IR Torch Pro

IR Torch is applied to optical products, such as handheld thermal camera and digital night vision scope. It uses infrared light as supplementary light to improve image quality.

### Key Features

- IR Wavelength: 940 nm

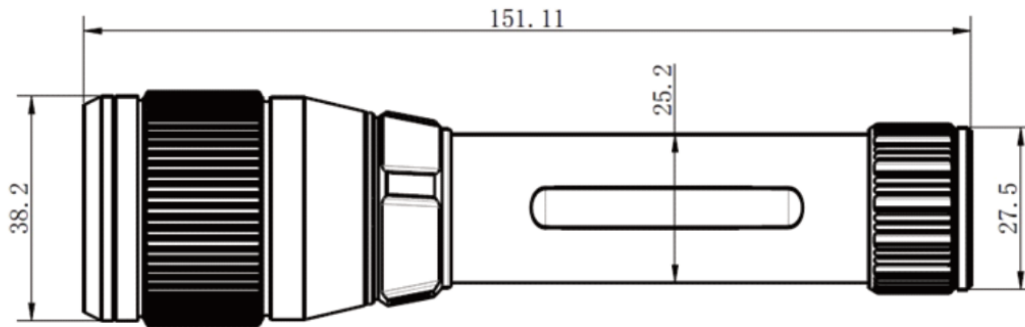
### Specification

| POWER SUPPLY                |  |
|-----------------------------|--|
| POWER                       | By battery                                     |
| BATTERY TYPE                | HIKMICRO HM-3632DC or HM-3633DC (not included) |
| BATTERY OPERATING TIME      | Up to 5.5 h                                    |
| CAPACITY                    | 3350 mAh                                       |
| GENERAL                     |  |
| OPERATING TEMPERATURE RANGE | -20°C to 50°C (-4°F to 122°F)                  |
| WEIGHT                      | 150 g (0.33 lb)(without battery)               |
| BODY MATERIAL               | Metal  |
| DIMENSION                   | 151.11 mm × 38.2 mm (5.95" × 1.5")             |
| POWER INPUT                 | 3.6 V  |
| INFRARED ILLUMINATOR        |  |
| IR OPTICAL POWER            | Up to 700 mW                                   |
| IR WAVELENGTH               | 940 nm   |
| IRRADIATION DISTANCE        | Up to 200 m                                    |
| BEAM ANGLE                  | 6° to 35°                                      |
| EMITTER                     | LED  |

## Available Model

**HM-L129IR**

## Dimension



Unit: mm

COMPLIANCE NOTICE: The thermal series products might be subject to export controls in various countries or regions, including without limitation, the United States, European Union, United Kingdom and/or other member countries of the Wassenaar Arrangement. Please consult your professional legal or compliance expert or local government authorities for any necessary export license requirements if you intend to transfer, export, re-export the thermal series products between different countries.



 HIKMICRO Outdoor  hikmicro\_outdoor  HIKMICRO Outdoor  HIKMICRO  [info@hikmicrotech.com](mailto:info@hikmicrotech.com)  <http://hikmicrotech.com/en>

room 313, unit B, building 2, 399 danfeng road, xixing subdistrict, binjiang district, hangzhou, zhejiang  
@hangzhou microimage software co., Ltd .2020 | data subject to change without notice!