

FT31 Firefighting Thermal Camera



The HIKMICRO FT31 is a high-performance firefighting thermal camera designed for firefighters to observe in total darkness and smoke, helping to save lives, protect property, and keep firefighters safe. Features like object details enhancement, easy-to-navigate buttons and a working temperature range of up to 260°C(500°F) help you work effortlessly in harsh environments. 8 color palettes for you to choose from satisfy most application scenarios.

Key Features

- Thermal resolution: 384 x 288 (110,592 pixels)
- NETD : < 30 mK (@ 25°C, F#=1.0)
- Start up time: 5 second (with IR image), 10 second (with OSD)
- Support object details enhancement
- Temperature measurement range : -20°C to 1200°C (-4°F to 2192°F)
- Measurement presets: Center spot, Hot spot, Cold spot
- 60 Hz image frequency
- 4.3" LCD screen display

▪ Specification

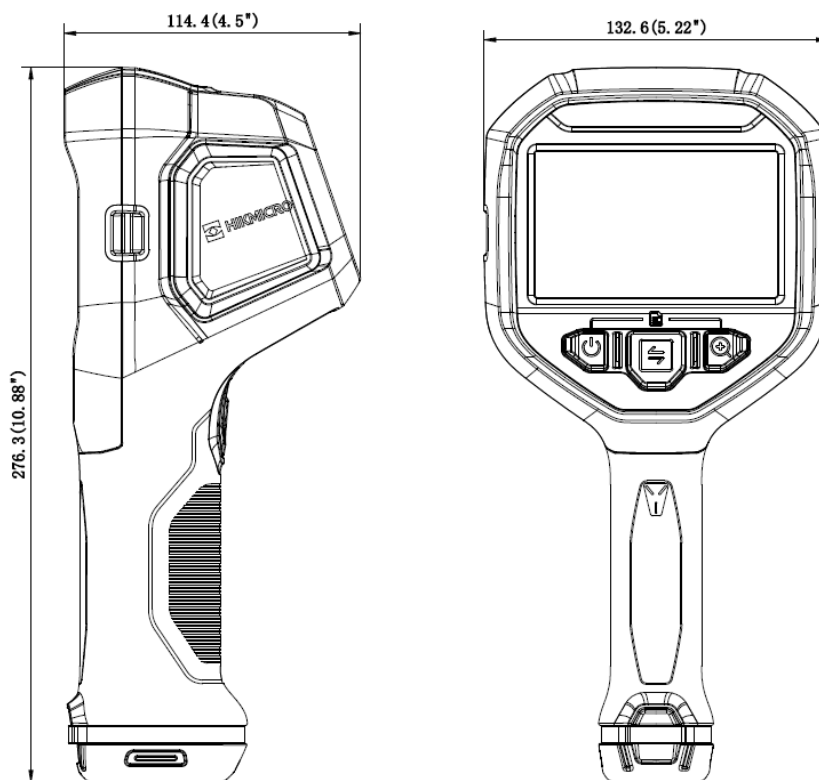
| Infrared Image | |
|---------------------------------------|---|
| IR Resolution | 384 x 288 (110,592 pixels) |
| NETD | < 30 mK (@ 25°C, F#=1.0) |
| Image Frequency | 60 Hz |
| Detector Pitch | 17 µm |
| Spectral Range | 7.5 to 14 µm |
| Focal Length | 7 mm |
| F-number | F1.6 |
| Field of View (FOV) | 54.1°×40.2° |
| Spatial Resolution (IFOV) | 2.42 mrad |
| Min. Focus Distance | 1 m (3.28 ft) |
| Focus Mode | Focus Free |
| Image Display | |
| Display | 800 × 480 Resolution, 4.3" LCD Screen |
| Digital Zoom | 1x, 2x, 4x |
| Color Palettes | Basic, Black Hot, White Hot, Fire Detection, Rescue, Hot Area, Cold Area, Building |
| Image Modes | Thermal |
| Measurement and Analysis | |
| Object Temperature Range | -20°C to 1200°C (-4°F to 2192°F) |
| Accuracy | Max. (± 2°C/3.6°F, ± 2%), for ambient temperature -20°C to 50°C (-4°F to 122°F) and object temperature above 0°C (32°F) |
| Measurement Tools | Center Spot, Hot Spot, Cold Spot |
| Data Storage and Communication | |
| Storage Media | Built-in 32 GB flash memory |
| Image Storage Capacity | Approx. 100,000 Images |
| General | |
| USB Interface | USB Type-C |
| Battery Type | Interchangeable and rechargeable Li-ion battery |
| Battery Operating Time | Approx. 6 hours |
| Battery Charging Time | Approx. 3 hours fully charged |
| Protection Level | IP67, IEC 60529 |
| Drop Test Height | 2 m (6.56 ft), IEC 60068-2-31 |
| Safety | IEC 61010-1 |
| EMC | EN 301 489-1, EN 301 489-17, EN IEC 61000-6-2, EN IEC 61000-6-3 |
| Vibration | 2g IEC 60068-2-6 |
| Shock | 25 g, IEC 60068-2-27 |
| Working Temperature Range | -20°C to 85°C (-4°F to 185°F) 150°C(302°F), 15min 260°C(500°F), 5min |
| Relative Humidity | < 95% non-condensing |

| | |
|---------------------------|--|
| Storage Temperature Range | -20°C to 60°C (-4°F to 140°F) |
| Weight | Approx. 1022g (2.25 lb) |
| Dimension | 132.7×276.3×114.6 mm (5.2 × 10.9 × 4.5 in) |
| Tripod Mounting | UNC ¼"-20 |

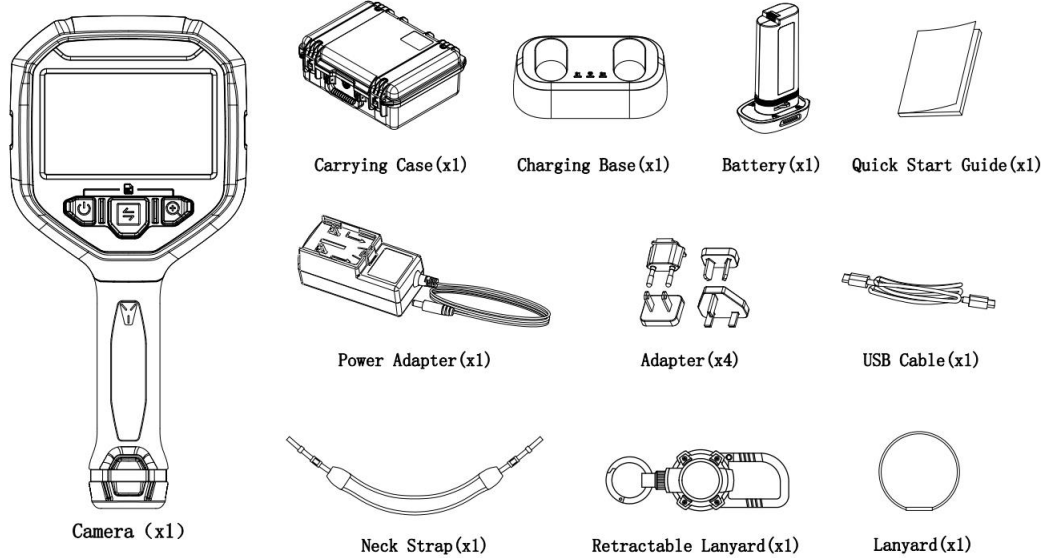
▪ Available Model

HM-TF23-7QF-FT31

▪ Dimension



Unit: mm (Inch)



COMPLIANCE NOTICE: The thermal series products might be subject to export controls in various countries or regions, including without limitation, the United States, European Union, United Kingdom and/or other member countries of the Wassenaar Arrangement. Please consult your professional legal or compliance expert or local government authorities for any necessary export license requirements if you intend to transfer, export, re-export the thermal series products between different countries.

