



HIKMICRO

HM-GRYPHON-IRB01

IR Torch Bracket



HIKMICRO IR Torch Bracket is designed for installing HIKMICRO IR Torch on the GRYPHON & GRYPHON LRF Series monocular.

▪ **Related Products**

- IR Torch: HM-L028IR
- GRYPHON & GRYPHON LRF Series: GH25/GH35/GQ35/GH25L/GH35L/GQ35L

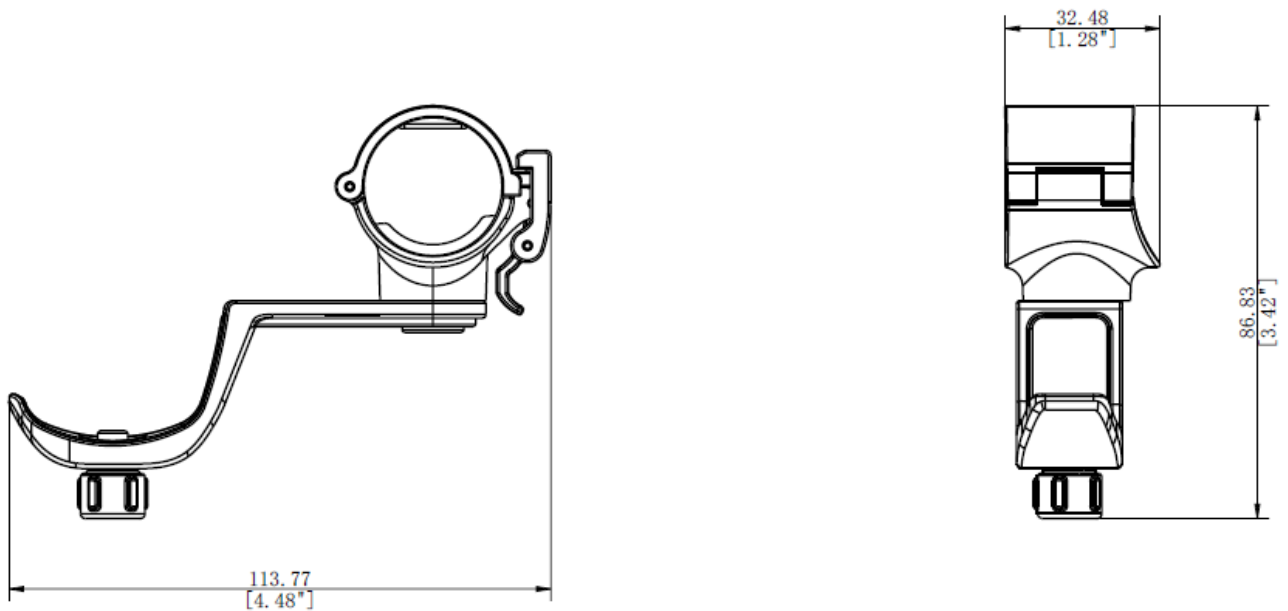
▪ Specification

General	
Dimension	113.77 mm × 32.48 mm × 86.83 mm
Weight	67 g
Screw Thread	UNC 1/4"-20
Body Material	Metal & Plastic & Silica
Operating Temperature Range	-20°C~50°C (-4°F~122°F)

▪ Available Model

HM-GRYPHON-IRB01

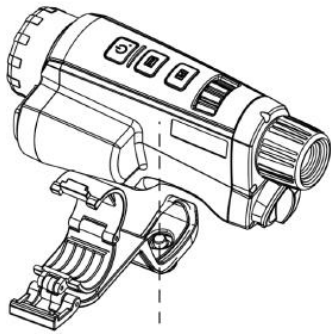
▪ Dimension



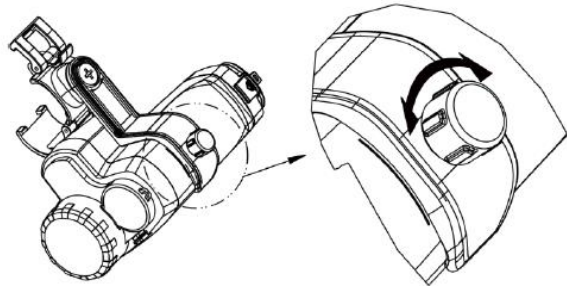
Unit:mm (inch)

Installation

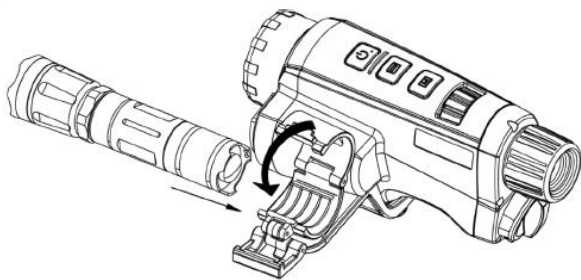
①



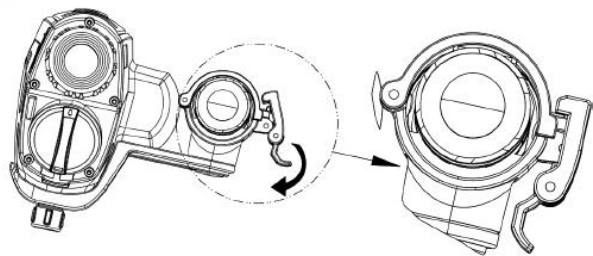
②



③



④



COMPLIANCE NOTICE: The thermal series products might be subject to export controls in various countries or regions, including without limitation, the United States, European Union, United Kingdom and/or other member countries of the Wassenaar Arrangement. Please consult your professional legal or compliance expert or local government authorities for any necessary export license requirements if you intend to transfer, export, re-export the thermal series products between different countries.

