

## HM-SP630-LENS



The interchangeable lens series is often used with handheld thermal cameras to expand the focal length of the original camera to different ranges, so as to obtain different FOVs and scene scopes.

Compatible with SP40, SP40H, SP60, SP60H, SP60H-L12, SP60H-L25, SP60H-L50, SP60H-L8, SP60-L12, SP60-L12/50, SP60-L25, SP60-L50, SP60-L8, and SP60-L8/25.

### ▪ Key Feature

- FOV (Field of View): SP40/SP40H: 6° (H) × 4.5° (V) SP60/SP60H: 8° (H) × 6° (V)

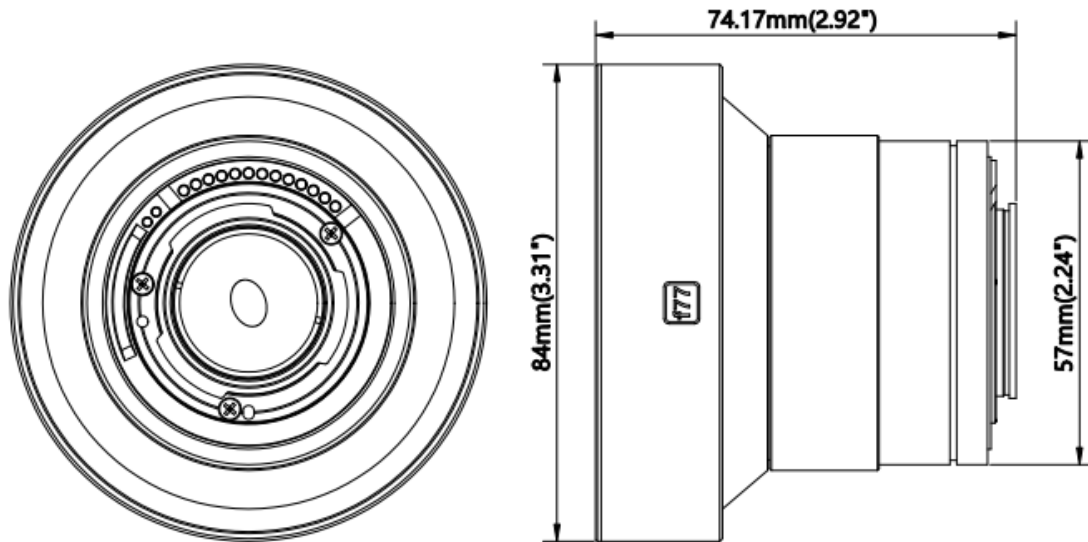
### ▪ Specification

Infrared Image	
Focal Length	77.4 mm (0.25 ft)
FOV (Field of View)	SP40/SP40H: 6° (H) × 4.5° (V) SP60/SP60H: 8° (H) × 6° (V)
IFOV (Spatial Resolution)	0.22 mrad
Aperture	F1.2
Min. Focusing Distance	2 m (6.56 ft)
General	
Working Temperature Range	-20°C to 50°C (-4°F to 122°F)
Weight	392 g (0.86 lb)
Dimension	74.2 mm × φ84 mm (2.92" × φ3.31")

### ▪ Available Model

HM-SP630-LENS

## ▪ Dimension



Unit: mm (Inch)



 HIKMICRO Thermography  hikmicro\_thermography  HIKMICRO Thermography  HIKMICRO  info@hikmicrotech.com  <http://hikmicrotech.com/en>

© Hangzhou Microimage Software Co., Ltd. All Rights Reserved.

\*Note: Specifications are subject to change without notice. For the current specs,  
please go to [www.hikmicrotech.com](http://www.hikmicrotech.com)