



HM-CB-T2

Li-ion battery charger

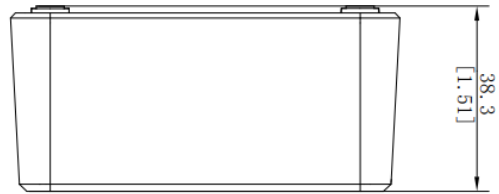
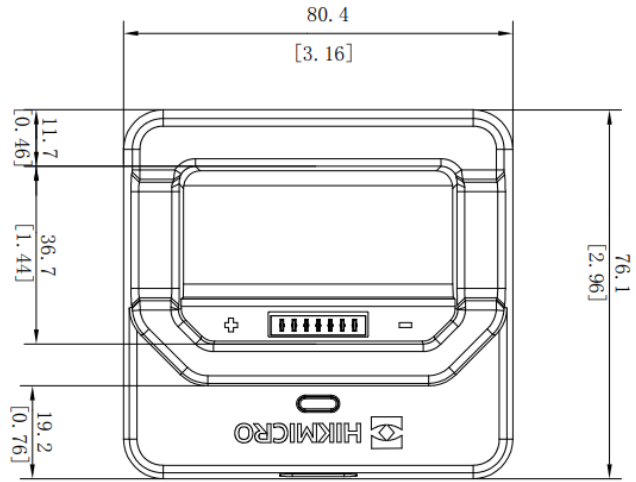
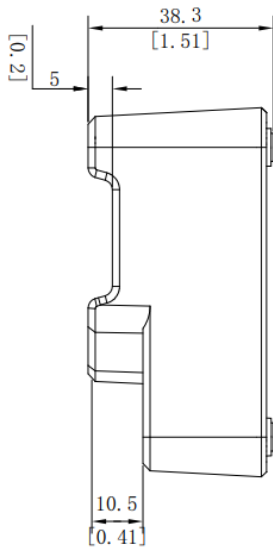
Specification

GENERAL	
DIMENSION	80.4 mm × 76.1 mm × 38.3 mm
WEIGHT	95 g
POWER INPUT	5 V/2 A
POWER OUTPUT	4.2 V/1.35 A

Available Model

HM-CB-T2

Dimension



Unit: mm [Inch]



HIKMICRO SIGHT



 HIKMICRO Outdoor  hikmicro_outdoor  HIKMICRO Outdoor  HIKMICRO  info@hikmicrotech.com  <http://hikmicrotech.com/en>

Room 313, Unit B, Building 2, 399 Danfeng Road, Xixing Subdistrict, Binjiang District, Hangzhou, Zhejiang
@hangzhou microimage software co.,Ltd .2020 | data subject to change without notice!