

# HE25L 5.5-22X60

## Multi-Spectrum Binocular



HIKMICRO HABROK 4K HE25L 5.5-22X60 is a powerful and innovative digital and thermal binocular designed especially for daytime use. Combined with a 256 thermal detector, an advanced 4K digital detector for a 5.5x-22x @60 mm lens, and a 1000 m laser rangefinder, this all-in-one binocular can be mainly applied in forest & field hunting, birding, animal searching, adventuring, and rescuing in various weather conditions.

### Key Feature

- 256 × 192 resolution @12 μm thermal detector
- High sensitivity thermal module NETD < 35 mK (@25°C, F# = 1.0)
- 25 mm, F1.0 lens with thermal detection range up to 1200 m
- 3840 × 2160 4K ultra high-resolution CMOS detector
- 60 mm, F2.2 digital lens with 5.5x to 22x digital zoom
- 1920 × 1080 resolution 0.49-inch OLED display
- Built-in 850 nm IR illuminator and Laser Rangefinder of 1000 m measuring distance
- 795 g lightweight, with a compact and ergonomic design

# Specification

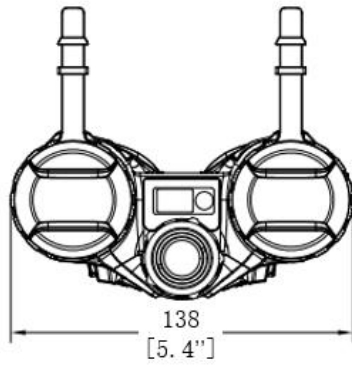
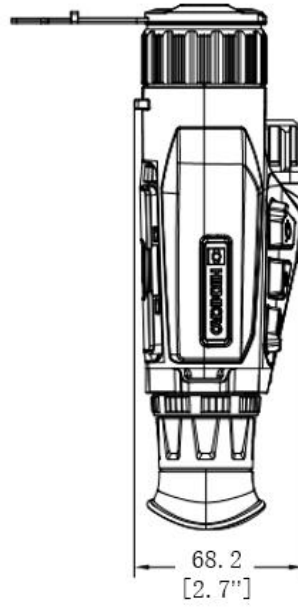
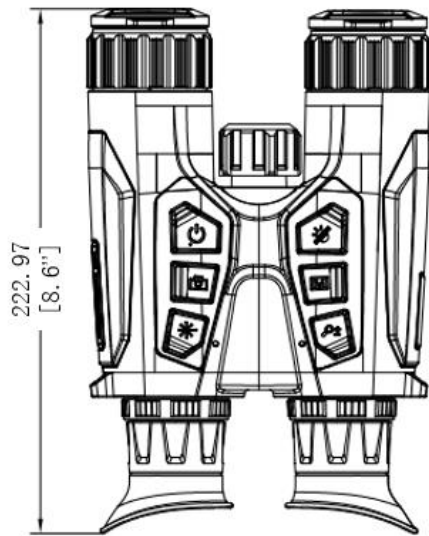
Thermal Module	
Image Sensor	VOx Uncooled Focal Plane Arrays
Max. Resolution	256 × 192
Frame Rate	50 Hz
Pixel Interval	12 μm
Response Waveband	8 μm to 14 μm
NETD	Less than 35 mK (@25°C), F# = 1.0
Lens (Focal Length)	25 mm, F1.0
Focus Mode	Focus Ring
Detection Range	1200 m
Min. Focusing Distance	3 m
Magnification	4.3x to 17.2x (4x)
Field of View(H × V), Degrees/ m @100m	7.0° × 5.3°/12.2 m × 9.3 m
Optical Module	
Image Sensor	1.88" Progressive Scan CMOS
Max. Resolution	3840 × 2160
Focal Length	60 mm, F2.2
Min. Working Distance	8 m
Focus Mode	Focus Ring
Magnification	5.5x to 22.0x (4x)
Field of View (H × V), Degrees/m @100 m	6.9° × 4.1°/12.0 m × 7.2 m
Smart IR	Yes
IR Illuminator Wavelength	850 nm
Viewing Range at Night	400 m
Image Display	
Display	0.49 inch, OLED, 1920 × 1080
Palettes	Thermal: Black Hot, White Hot, Red Hot, Fusion; Optical: Day, Night, Auto
FFC (Flat Field Correction) Mode	Auto, Manual, External Correction
Exit Pupil	8 mm
Eye Relief	15 mm
Diopter (Range)	-5 D to +3 D
Brightness Adjustment	Yes
Tone Adjustment	Cold, warm
Contrast Adjustment	Yes
Zoom Pro	Yes

<b>System</b>	
Record Video	Yes
Capture Snapshot	Yes
Audio Recording	Yes
Standby Mode	Yes
Storage	Built-in EMMC (64 GB)
PIP	Yes
Hotspot	Yes
Hot Track	Yes
Digital Magnetic Compass	Yes
GPS	Yes
Local Album	Yes
<b>Power Supply</b>	
Battery Type	Replaceable and Rechargeable Li-ion Battery
Battery Operating Time	≥ 8 h (25°C, with hotspot off)
Type-C Power Supply	5 VDC, 2 A Supports External Power Supply
<b>General</b>	
Protection Level	IP67
Dimension	138 mm × 68.2 mm × 223 mm (5.4" × 2.7" × 8.6")
Working Temperature	-30°C to +55°C
Weight	795 g without batteries
Interpupillary Adjustment Range	60 mm to 74 mm
Mounting Adapter	1/4"-20-UNC
<b>Laser Rangefinder</b>	
Safety Class for Laser	Class 1
Wavelength	905 nm
Max. Measuring Range	1000 m
Measurement Accuracy	±1 m
Min. Measuring Range	10 m

## • Available Model

HM-TS92-25S2G/WLVE-HE25L

## • Dimension



Unit:mm[Inch]

\*Estimated dimension, for reference only

## ▪ Accessories



Neck Strap(x1)



Type-C Cable(x1)



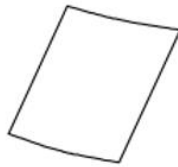
Tripod Adapter(x1)



Battery(x4)



QSG(x1)



Lint-Free Cloth(x1)



Battery Charger(x1)

COMPLIANCE NOTICE: The thermal series products might be subject to export controls in various countries or regions, including without limitation, the United States, European Union, United Kingdom and/or other member countries of the Wassenaar Arrangement. Please consult your professional legal or compliance expert or local government authorities for any necessary export license requirements if you intend to transfer, export, re-export the thermal series products between different countries.



HIKMICRO SIGHT



Hikmicro Hunting.Global   HIKMICRO Outdoor   www.hikmicrotech.com   hikmicro hunting.global   HIKMICRO   info@hikmicrotech.com

Room 313, Unit B, Building 2, 399 Danfeng Road, Xixing Subdistrict, Binjiang District, Hangzhou, Zhejiang  
© Hangzhou Microimage Software Co., Ltd. All rights reserved. | Data subject to change without notice!