

## M60 Handheld Thermography Camera



HIKMICRO M60 handheld camera is specially designed for temperature measurement. It's equipped with a 640 x 480 resolution thermal detector. It helps the staff to quickly find the high-temperature targets in the environment. Meanwhile, it provides assistance with decisions and ensures safety. The device is mainly applied to various industries, such as Building, HVAC, auto industry, etc.

### Key Features

- High sensitivity thermal module with 640 x 480 resolution
- SuperIR up to 1280 x 960 (1,228,800 pixels)
- Supports multiple palettes
- High quality optical module with 8 MP resolution
- Bi-spectrum image fusion, picture-in-picture preview
- Wide temperature measurement range: -20 - 650°C
- High temperature measurement accuracy: Max. ( $\pm 2^{\circ}\text{C}/3.6^{\circ}\text{F}$ ,  $\pm 2\%$ ), for ambient temperature 15°C to 35°C (59°F to 95°F) and object temperature above 0°C (32°F)
- 640 x 480 resolution 3.5" LCD touch display
- Long-distance laser light supplement for thermography targets
- LED light supplement makes the device a torch in required scenarios
- 1.0x to 8.0x continuous digital zoom
- Supports remote album access, download and quick report with APP

## ▪ Specification

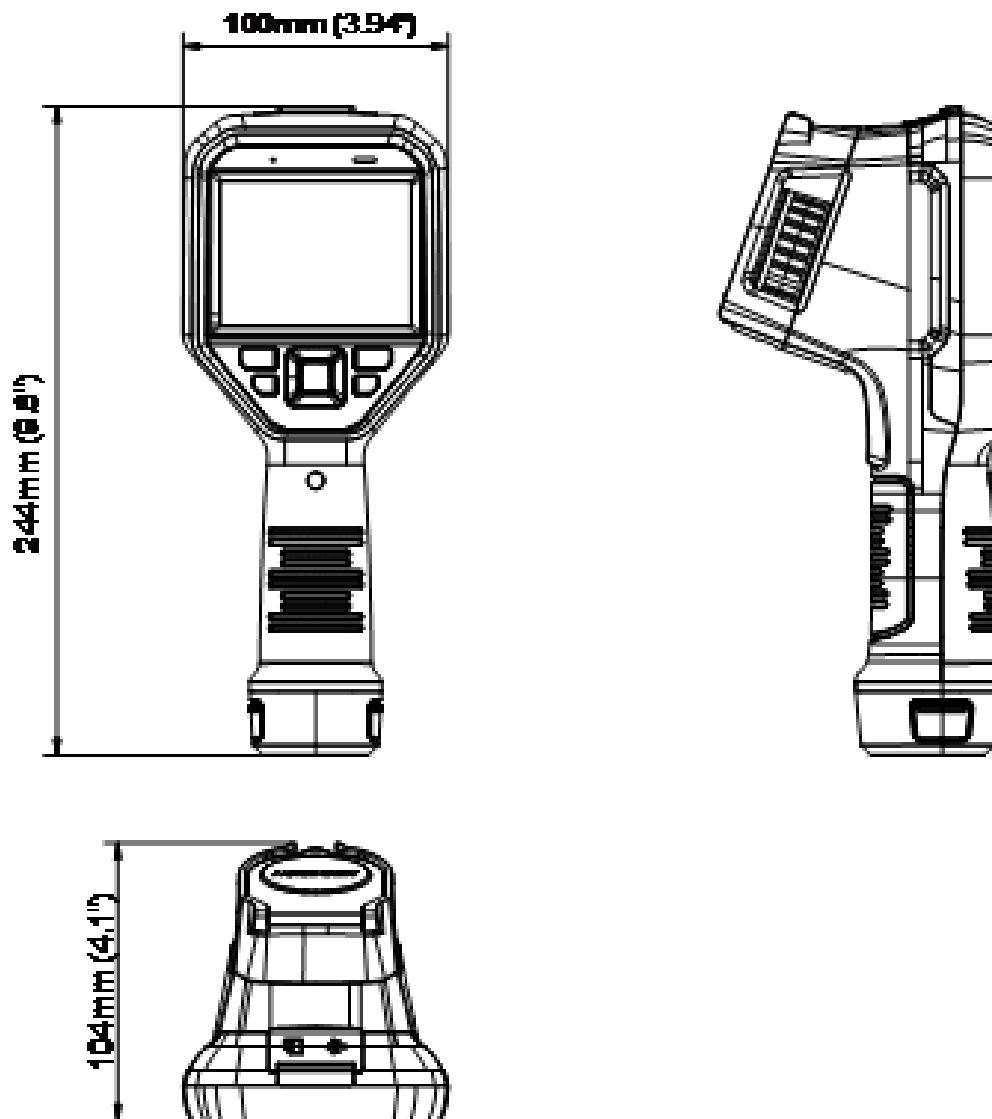
<b>Infrared Image</b>	
IR Resolution	640 x 480 (307,200 pixels)
SuperIR	1280 x 960 (1,228,800 pixels)
NETD	< 35 mK (@ 25 °C, F#=1.0)
Image Frequency	30 Hz
Detector Pitch	17 µm
Spectral Range	7.5 to 14 µm
Focal Length	15 mm
F-number	F1.0
Field of View (FOV)	41.9° × 33.3°
Spatial Resolution (IFOV)	1.13 mrad
Min. Focus Distance	0.3 m (0.98 ft)
Focus Mode	Manual Focus
<b>Image Display</b>	
Visual Camera	3264 × 2448 (8 MP)
Display	640 × 480 Resolution, 3.5" LCD Touch Screen
Screen Brightness	Manual
Digital Zoom	1.0x to 8.0x continuous
Color Palettes	White Hot, Black Hot, Rainbow, Ironbow, Red Hot, Fusion, Rain, Blue Red
Focus Mode Palette	Above/Below/Interval
Color Alarm	Above/Below/Interval/Insulation
Image Modes	Thermal/Visual/Fusion/PIP/Blending
<b>Measurement and Analysis</b>	
Object Temperature Range	-20 °C to 650 °C (-4 °F to 1202 °F)
Accuracy	Max (±2°C/3.6°F, ±2%)
Measurement Tools	Center Spot, Hot Spot, Cold Spot User-definable: 10 spots, 1 line, 5 rectangles, and 5 circles
Level and Span Mode	Auto/Manual/1-Tap Touch-screen
<b>Data Storage and Communication</b>	
Storage Media	Removable 64 GB Micro SD Card
Image Storage Capacity	Approx. 35,000 Images
Annotations	Voice note: max. 60 seconds; Text note: max. 200 characters
Video Storage Capacity	Approx. 54 hours
Video File Format	MP4 video and radiometric video
<b>General</b>	
Wi-Fi	802.11 b/g/n (2.4 GHz and 5 GHz)
Bluetooth	Bluetooth 4.2
USB Interface	USB Type-C
LED Light	Yes

Laser	Yes, Class II, Wavelength: 650 nm; Power: < 1 mW
Battery Type	Interchangeable and rechargeable Li-ion battery
Battery Operating Time	Approx. 4 hours
Battery Charging Time	Approx. 4 hours fully charged
Power Saving Mode	No
Protection Level	IP54
Drop Test Height	2 m (6.56 ft)
Safety	IEC 61010-1
EMC	EN55032, EN61326-1, EN61000-3-2,EN61000-3-3,EN IEC 61000-6-2, EN IEC 61000-6-3
Vibration	0.03 g2/Hz (3.8 g), 2.5 g IEC 60068-2-6
Shock	25 g, IEC 60068-2-27
Working Temperature Range	-20°C to 50°C ( -4°F to 122°F)
Relative Humidity	< 95% non-condensing
Storage Temperature Range	-20°C to 70°C (-4°F to 158°F)
Weight	Approx. 686g (1.51 lb)
Dimension	244 × 100 × 104 mm (9.6 × 3.9 × 4.1 in)
Tripod Mounting	UNC ¼"-20

## ▪ Available Model

M60

## • Dimension



Unit: mm (inch)

## • Optional Accessories



M Series Battery  
E097-13-1S1P26650



M Series Charging Base  
HM-5202ZC



Tripod Mounting Bracket  
HM-2925ZJ-TM01-  
BRACKET



M/G/SP Series Pouch  
HM-SP01-POUCH

COMPLIANCE NOTICE: The thermal series products might be subject to export controls in various countries or regions, including without limitation, the United States, European Union, United Kingdom and/or other member countries of the Wassenaar Arrangement. Please consult your professional legal or compliance expert or local government authorities for any necessary export license requirements if you intend to transfer, export, re-export the thermal series products between different countries.



 HIKMICRO Thermography  hikmicro\_thermography  HIKMICRO Thermography  HIKMICRO  info@hikmicrotech.com  <http://hikmicrotech.com/en>

© Hangzhou Microimage Software Co., Ltd. All Rights Reserved.

\*Note: Specifications are subject to change without notice. For the current specs,  
please go to [www.hikmicrotech.com](http://www.hikmicrotech.com)