

B01S B Series Handheld Thermal Camera



HIKMICRO B20S is designed for temperature measurement to find invisible faults. It's equipped with a 256 x 192 resolution HIKMICRO thermal detector and 2MP optical detector. The thermography ranges from -20°C to 550°C (-4°F to 1022°F), which meets most situation. It helps the staff to quickly find the fault according to accurate temperature measurement of high temperature targets in the environment. Meanwhile it provides assistant decision and ensure safety. The device is mainly applied to various industries, such as building, HVAC, and auto industry, etc.

▪ Features

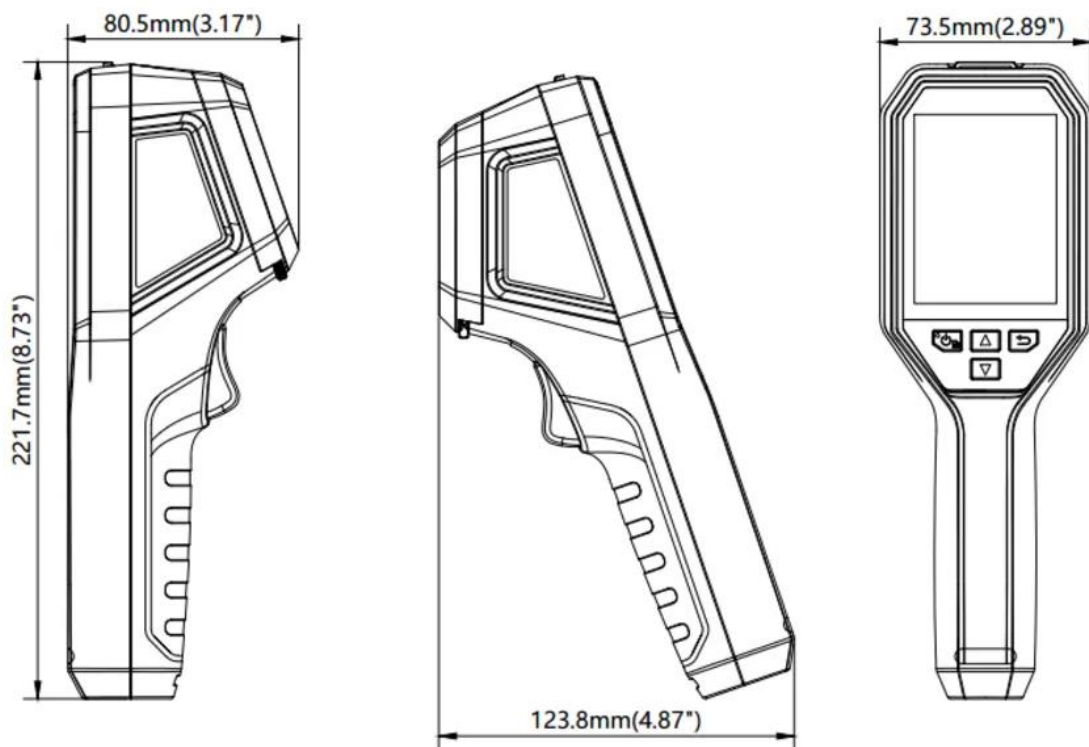
- IR resolution: 256 x 192 (49 152 pixels)
- Support SuperIR image enhancement technology
- NETD : < 40 mK (@ 25 °C,F#=1.0)
- Temperature measurement range : -20°C to 550°C (-4°F to 1022°F)
- Accuracy: Max ($\pm 2^{\circ}\text{C}/3.6^{\circ}\text{F}$, $\pm 2\%$), for ambient temperature 15°C to 35°C (59°F to 95°F) and object temperature above 0°C (32°F)
- Measurement presets: Center spot, Hot spot, Cold spot, User Preset Point
- 25 Hz image frequency
- 3.2" 480 × 640 Resolution LCD Screen
- Up to 6 hours continuous running

▪ Specification

| Infrared Image | |
|---|---|
| IR Resolution | 256 × 192 (49,152 pixels) |
| SuperIR | Yes, on captured images and live view |
| Distance to Spot Ratio (D:S) | 45:1 |
| NETD | < 40 mK (@ 25 °C, F#=1.0) |
| Image Frequency | 25 Hz |
| Detector Pitch | 12 μm |
| Spectral Range | 7.5 to 14 μm |
| Focal Length | 3.6 mm |
| F-number | F1.0 |
| Field of View (FOV) | 37.2° × 50.0° |
| Spatial Resolution (IFOV) | 3.3 mrad |
| Min. Focus Distance | 0.3 m (0.98 ft) |
| Focus Mode | Focus Free |
| Image Display | |
| Display | 480 × 640 Resolution, 3.2" LCD Screen |
| Image Modes | Thermal |
| Color Palettes | White Hot, Black Hot, Rainbow, Ironbow, Red Hot, Fusion |
| Screen Brightness | Manual |
| Measurement and Analysis | |
| SuperScene Mode | Custom, Water Leak, Insulation, Floor Heating, Electrical Faults, Solar Panel, Macro Mode, Insulation Pro, Condensation |
| Smart SuperScene Alarm | Water Leak, Insulation, Floor Heating |
| Alarm | More than, Less than |
| Alarm Linkage | Audible Warning, Alarm Mode Palettes |
| Temperature Measurement Mode | Measurements presets (center spot, max spot, min spot, off) |
| Object Temperature Range | -20°C to 550°C (-4°F to 1022°F) |
| Accuracy | Max. (± 2°C/3.6°F, ± 2%), for ambient temperature 15°C to 35°C (59°F to 95°F) and object temperature above 0°C (32°F) |
| Level and Span Mode | Auto/Manual |
| Data Storage and Communication | |
| Storage Media | Built-in 64 GB eMMC(user available storage space is less than the nominal capacity) |
| Image Storage Capacity | Max 140,000 Images |
| Image File Format | Radiometric JPEG |
| Video Storage Capacity | MP4 Approx. 558h, HRV Approx. 98h |
| Video File Format | MP4, HRV |
| Radiometric Infrared-Video Streaming (Compressed) | Over UVC and Wi-Fi |

| General | |
|---------------------------|--|
| Wi-Fi | 802.11 b/g/n (2.4GHz) |
| USB Interface | USB Type-C |
| Battery Type | Rechargeable Li-ion battery |
| Battery Operating Time | Approx. 6 hours |
| Battery Charging Time | Approx. 3 hours fully charged |
| Protection Level | IP54 |
| Drop Test Height | 2 m (6.56 ft) |
| Working Temperature Range | -10°C to 50°C (14°F to 122°F) |
| Storage Temperature Range | -20°C to 60°C (-4°F to 140°F) |
| Relative Humidity | < 95% non-condensing |
| Weight | Approx. 380 g (0.84 lb) |
| Dimension | 221.7 × 73.5 × 123.8mm (8.73 × 2.89 × 4.87 in) |
| Tripod Mounting | UNC ¼"-20 |
| Power Supply | USB-C (5V/2A) |

▪ Dimension



▪ Packaging List



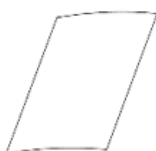
Camera (× 1)



**USB 2.0 A to USB Type-C Cable
(× 1)**



Pouch (× 1)



**Calibration Certificate
(× 1)**



Wrist Strap (× 1)



QSG (× 1)

▪ Accessory

▪ Optional

**HM-B01-POUCH
POUCH**



**HM-B201-MACRO
Thermography
Camera Macro Lens**



COMPLIANCE NOTICE: The thermal series products might be subject to export controls in various countries or regions, including without limitation, the United States, European Union, United Kingdom and/or other member countries of the Wassenaar Arrangement. Please consult your professional legal or compliance expert or local government authorities for any necessary export license requirements if you intend to transfer, export, re-export the thermal series products between different countries.



 Hikmicro Industrial

 hikmicro_industrial

 HIKMICRO Industrial

 HIKMICRO

 info@hikmicrotech.com

 www.hikmicrotech.com

© Hangzhou Microimage Software Co., Ltd. All Rights Reserved.

*Note: Specifications are subject to change without notice. For the current specs,
please go to www.hikmicrotech.com