

HM-AHBR02
Desktop Stand Bracket



Adjustable Pole Mount and Stand for Electronics Testing

Key Feature

- Compatible with the following products: Pocket Series, Mini Series

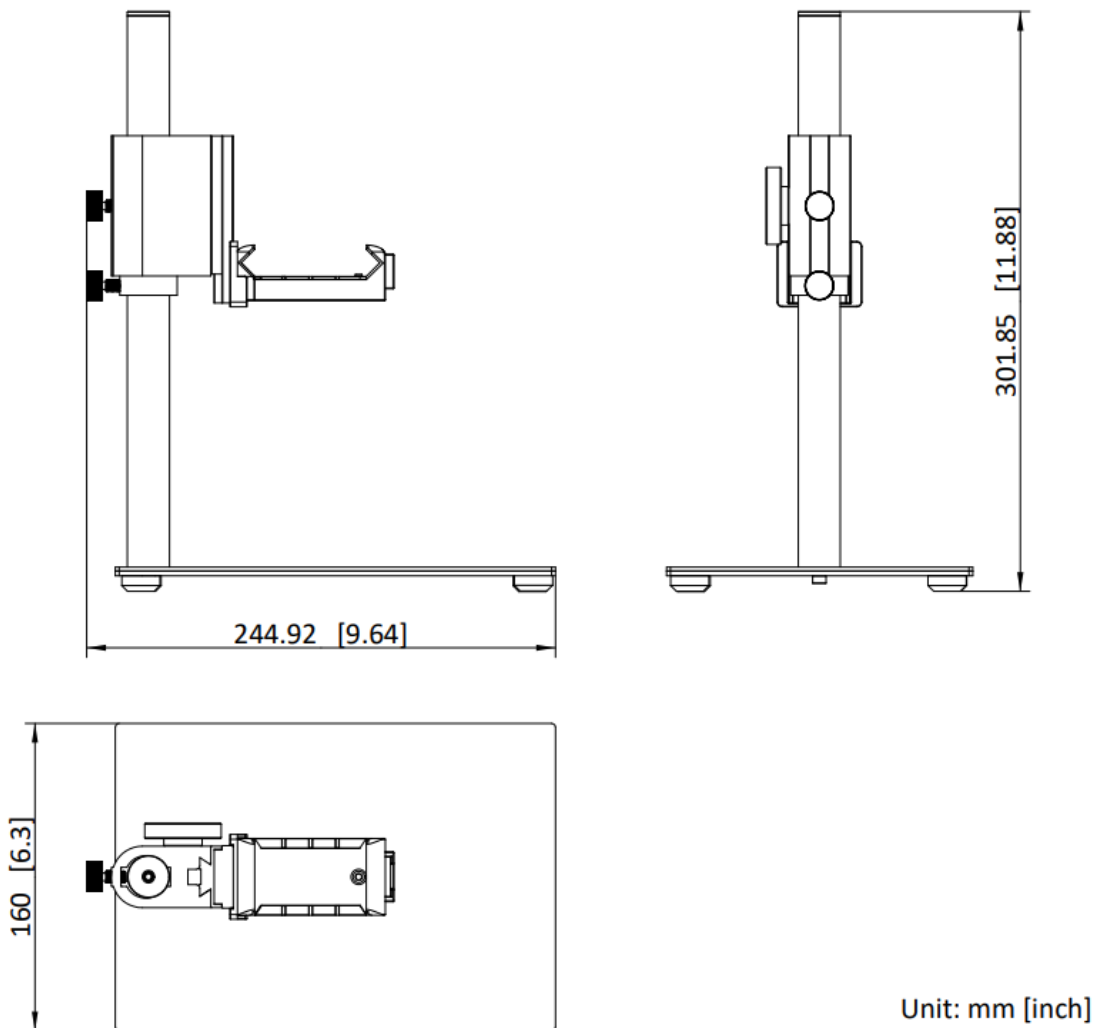
▪ Specification

General	
Material	Aluminum Alloy
Adjustment Range	Height Adjustment Range: 20mm to 180mm (0.79" to 7.09")
Max. Load Capacity	Max. 0.4 kg (0.88 lb)
Installation Method	Adjustable Clamp Mount, Adjustment Range: 58mm to 100mm (2.28" to 3.94")
Weight	Gross Weight: 1.83 kg (4.03 lb) Net Weight: 1.32 kg (2.91 lb)
Package Size	335mm x 235mm x 125mm (13.19" x 9.25" x 4.92")

▪ Available Model

HM-AHBR02

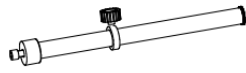
▪ Dimension



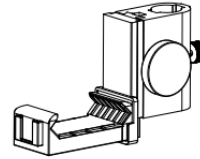
Packing List



Baseboard ×1



Adjustable Column ×1



Adjustable Clamp ×1



M4 Hexagonal Wrench ×1



Manuals ×1

COMPLIANCE NOTICE: The thermal series products might be subject to export controls in various countries or regions, including without limitation, the United States, European Union, United Kingdom and/or other member countries of the Wassenaar Arrangement. Please consult your professional legal or compliance expert or local government authorities for any necessary export license requirements if you intend to transfer, export, re-export the thermal series products between different countries.

