



HIKMICRO

HM-THUNDER-40A Adapter



The HM-THUNDER-40A adapter connects the thermal image scope and the daylight scope. It is used for thermal image scope HM-TR13-35XF/W-TH35.

Specification

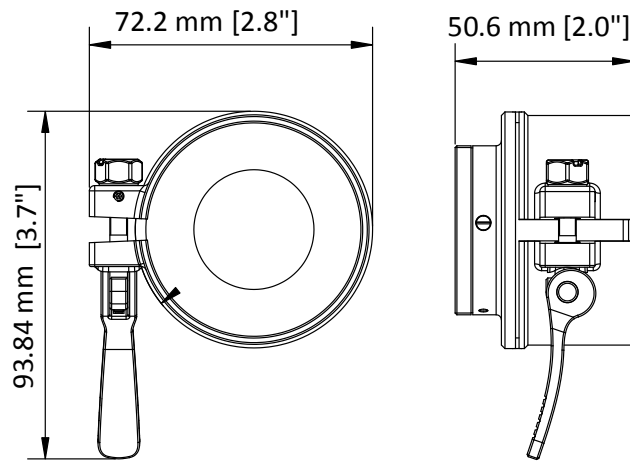
| Parameter | |
|-------------------|---|
| Dimension | 93.84 mm × 72.2 mm × 50.6 mm (3.7" × 2.8" × 2.0") |
| Weight | 80 g (0.18 lb) |
| Mounting Diameter | 46.1 mm to 51 mm |
| Accessory | Wrench, Plate, Ring |

Available Model

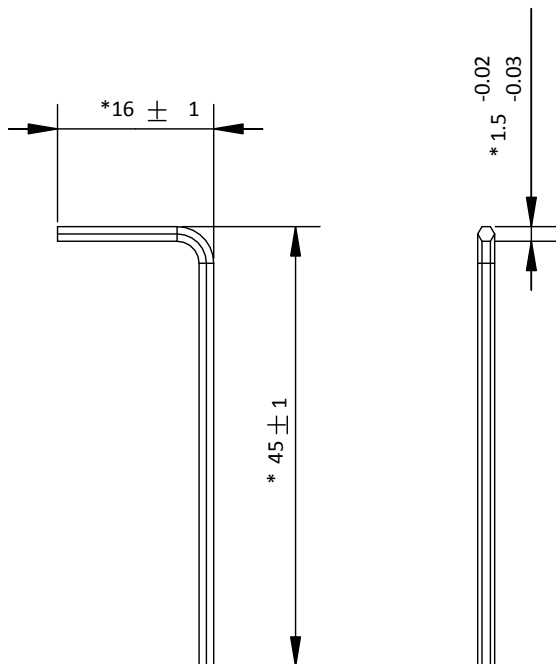
HM-THUNDER-40A

Dimension

Adapter

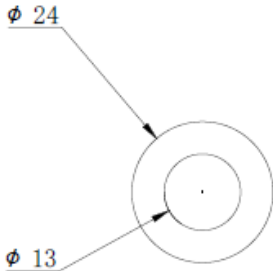


Wrench



Unit: mm

Ring



Unit:mm

Plate

