

HM-TD3117T-1/Q Thermographic Cube Camera



HIKMICRO HM-TD3117T-1/Q Thermographic cube camera offers continuous temperature monitoring and alarming with thermal image. The camera is small in size and easy to install, which can be mounted in narrow places and provides large field of view. You can use them against sudden outages, service interruptions, and failure of electrical or mechanical equipment in places such as electrical cabinets, process control and manufacturing, data centers, power plant, power distribution station, mass transit, storage facilities, and refrigeration warehouses.

- 160 × 120 (the resolution of output image is 320 × 240) resolution in thermal channel, high sensitivity sensor
- Point, line and area for temperature measurement
- Temperature range: -20°C to 150°C (-4°F to 302°F), 0 °C to 550 °C (32°F to 1022 °F); temperature accuracy: Max (±2 °C, ±2%)
- Reliable temperature exception alarm function

▪ Specification

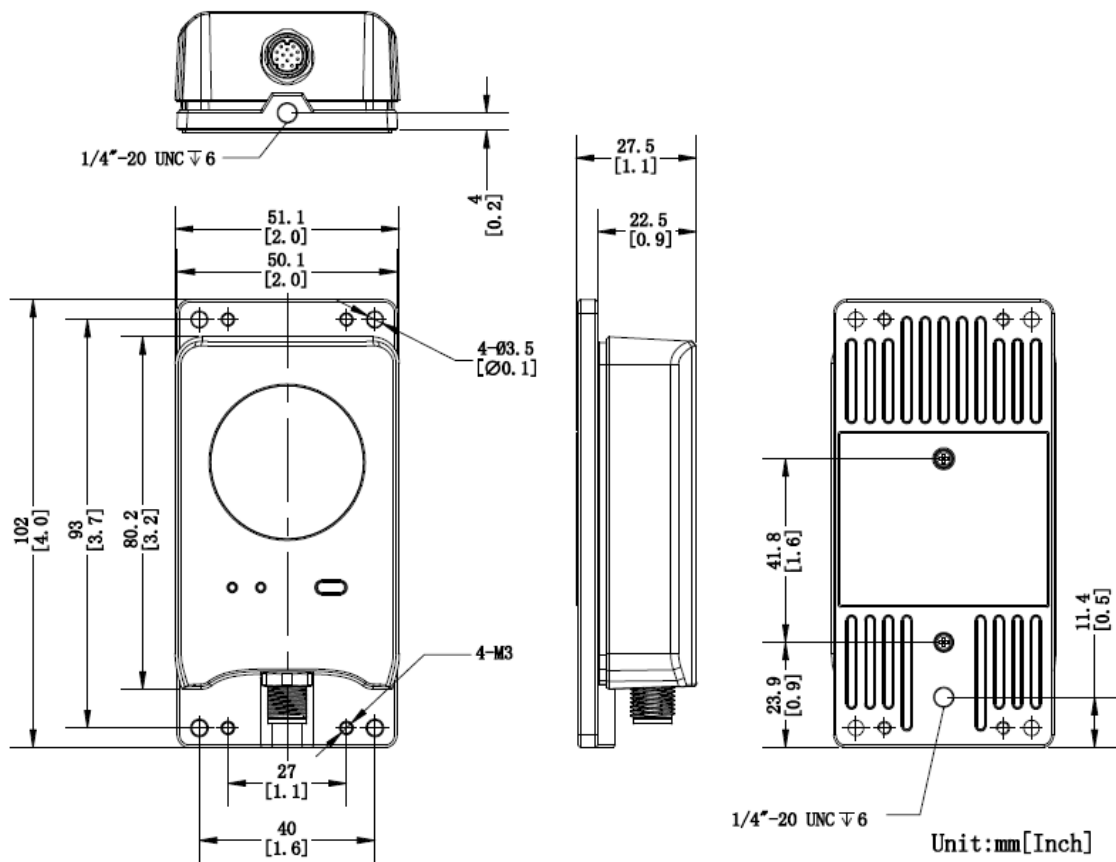
| Thermal Module | |
|-------------------------|---|
| Image Sensor | Vanadium Oxide Uncooled Focal Plane Arrays |
| Resolution | 160 × 120 (the resolution of output image is 320 × 240) |
| Pixel Interval | 17 μm |
| Response Waveband | 8 μm to 14 μm |
| NETD | Less than 40 mK (@ 25 °C, F#=1.1) |
| Focal Length | 1.3 mm |
| IFOV | 13.08 mrad |
| Field of View | 114° × 89° (H × V) |
| Min. Focusing Distance | 0.1 m |
| Aperture | F1.2 |
| Digital Zoom | ×2, ×4 |
| Image Effect | |
| Target Coloration | Yes. Supported in white hot and black hot mode. |
| Smart Function | |
| Temperature Measurement | 3 temperature measurement rule types, 21 rules in total (10 points, 10 areas, and 1 line). |
| Video and Audio | |
| Main Stream | Thermal: 25 fps (1280 × 720, 704 × 576, 640 × 480, 352 × 288, 320 × 240) |
| Sub Stream | Thermal: 25 fps (704 × 576, 352 × 288, 320 × 240) |
| Video Compression | Main stream: H.265/ H.264 Sub-stream: H.265/H.264/MJPEG |
| System Function | |
| Temperature Measurement | Display Max. and Min. temperature in live view; 3 temperature measurement rule types, 21 rules (10 points, 10 regions, and 1 line). |
| Temperature Range | -20 °C to 150 °C (-4 °F to 302 °F), 0 °C to 550 °C (32 °F to 1022 °F) |
| Temperature Accuracy | Max (± 2 °C, ± 2%) |
| Video and Image | |
| Color Palettes | 15 options: White Hot, Black Hot, Fusion 1, Rainbow, Fusion 2, Ironbow 1, Ironbow 2, Speia, Color 1, Color 2, Ice Fire, Rain, Red Hot, Green Hot, Dark Blue |
| Network | |
| Protocols | IPv4/IPv6, HTTP, HTTPS, 802.1x, QoS, FTP, SMTP, UPnP, SNMP, DNS, DDNS, NTP, RTSP, RTP, TCP, UDP, DHCP, Email, ISUP, PPPOE, NAS |
| API | ISAPI SDK |
| Simultaneous Live View | Up to 20 channels |
| Security | User authentication (ID and PW), HTTPS encryption, access control, IP address filtering |

| | |
|------------------------------|--|
| Client | HIKMICRO Studio |
| Web Browser | Live view (plug-in allowed) : Internet Explorer 11 Live view (plug-in free) : Chrome 57.0 +, Firefox 52.0 + Local service : Chrome 57.0+, Firefox 52.0 + |
| Interface | |
| Communication Interface | 1, RJ45 10 M/100 M self-adaptive Ethernet interface 1, RS-485 interface (ModBus available) |
| General | |
| Menu Language | English |
| Working Temperature/Humidity | 0 °C to 50 °C (32 °F to 122 °F) 95% or less |
| Power Supply | 12 VDC ± 25%, Max. 2 W |
| Protection Level | IP67 Standard TVS 6000 V lightning protection, surge protection, voltage transient protection |
| Dimension | 102 mm × 51.1 mm × 27.5 mm (4.0" × 2.0" × 1.1") |
| Weight | Approx. 178 g (0.39 lb) |

▪ Available Model

HM-TD3117T-1/Q

Dimension



COMPLIANCE NOTICE: The thermal series products might be subject to export controls in various countries or regions, including without limitation, the United States, European Union, United Kingdom and/or other member countries of the Wassenaar Arrangement. Please consult your professional legal or compliance expert or local government authorities for any necessary export license requirements if you intend to transfer, export, re-export the thermal series products between different countries.

