

HM-G320-LENS1



The interchangeable lens series is often used with handheld thermal cameras to expand the original camera's focal length to different ranges, to obtain different FOVs and scene scopes. Compatible with G31.

▪ Key Feature

- FOV (Field of View): 12° (H) × 9° (V)

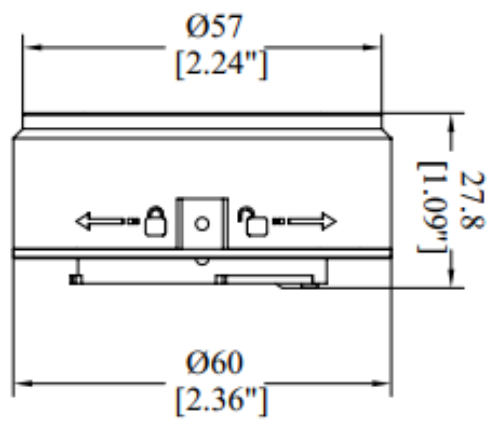
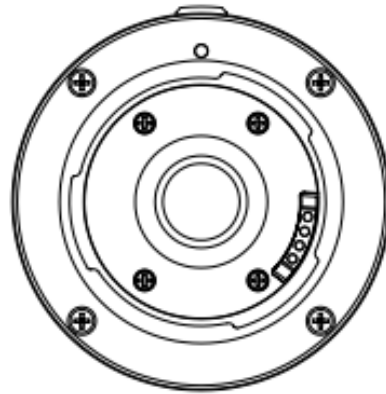
▪ Specification

Infrared Image	
Focal Length	30.6 mm
FOV (Field of View)	12° (H) × 9° (V)
IFOV (Spatial Resolution)	0.56 mrad
Aperture	F1.3
Min. Focusing Distance	1 m (1.09 yd)
General	
Working Temperature Range	-20°C to 50°C (-4°F to 122°F)
Weight	158 g (0.35 lb)
Dimension	27.8 mm × φ57 mm (1.09" × φ2.24")

▪ Available Model

HM-G320-LENS1

▪ Dimension



Unit: mm (Inch)